

# HC-STA-RJ45CT-HT-M20-PLRBK - Connector set



1249554

<https://www.phoenixcontact.com/us/products/1249554>

Please be informed that the data shown in this PDF document is generated from our online catalog. Please find the complete data in the user documentation. Our general terms of use for downloads are valid.



Connector set, number of positions: 8, CAT6<sub>A</sub>, material: PA, connection method: Crimp connection, connection cross section: AWG 24- 27, cable outlet: straight, With RJ45 contact insert, with slotted seal

## Your advantages

- Lower costs than metal version
- Labeling option using 9 x 20 mm marking label
- Low weight
- Lower risk of condensation

## Commercial data

Item number	1249554
Packing unit	1 pc
Minimum order quantity	1 pc
Sales key	BF63
Product key	AF7AFX
GTIN	4063151355005
Weight per piece (including packing)	35.1 g
Weight per piece (excluding packing)	35.1 g
Customs tariff number	85366990
Country of origin	CN

# HC-STA-RJ45CT-HT-M20-PLRBK - Connector set



1249554

<https://www.phoenixcontact.com/us/products/1249554>

## Set consists of

### HC-Q-I-RJ45-08-M - Contact insert

1077117

<https://www.phoenixcontact.com/us/products/1077117>

Contact insert, number of positions: RJ45, size: D7, type : RJ45, Pin, 50 V, 1 A, application: Data, With RJ45 contact insert



---

### HC-STA-D07-HHFS-1TGM20-PL-BK - Housing

1419255

<https://www.phoenixcontact.com/us/products/1419255>

Sleeve housing D7, for single locking latch, material: PA, cable outlets: 1, straight, 1x M20, height: 77.6 mm, cable gland: with, Standard



# HC-STA-RJ45CT-HT-M20-PLRBK - Connector set



1249554

<https://www.phoenixcontact.com/us/products/1249554>

## Technical data

### Product properties

Product type	Connector set
Housing type	Sleeve housing
Series	HC-D
Application	Data
Type	D7
Number of positions	8
Connection profile	RJ45
Type of the screw connection	1x M20
Cable outlet	straight

### Insulation characteristics

Overvoltage category	III
Degree of pollution	3

### Electrical properties

Rated voltage (III/3)	50 V
Rated surge voltage	0.8 kV
Rated current	1 A
Nominal voltage $U_N$	50 V
Transmission characteristics (category)	CAT6 <sub>A</sub> (IEC 60512-27-100:2008, TIA-568-C.2:2009)

### Connection data

Connection method	Crimp connection
Conductor cross-section	0.14 mm <sup>2</sup> ... 0.25 mm <sup>2</sup>
	0.14 mm <sup>2</sup> ... 0.25 mm <sup>2</sup> (flexible)
	0.14 mm <sup>2</sup> ... 0.25 mm <sup>2</sup>
	0.14 mm <sup>2</sup> ... 0.25 mm <sup>2</sup> (flexible)
Connection cross section AWG	24 ... 27 (flexible)

### Interfaces

Signal type/category	Ethernet CAT6 <sub>A</sub>
----------------------	----------------------------

### Material specifications

Color	black (RAL 9005)
Material	PA
Flammability rating according to UL 94	V0
Seal material	NBR
Housing material	PA
Contact material	Copper alloy
Contact surface material	Au
Contact carrier material	PC

# HC-STA-RJ45CT-HT-M20-PLRBK - Connector set



1249554

<https://www.phoenixcontact.com/us/products/1249554>

## Cable/line

Signal type/category	Ethernet CAT6 <sub>A</sub>
External cable diameter	5 mm ... 6 mm

## Mechanical properties

### Mechanical data

Type of the screw connection	1x M20
------------------------------	--------

## Environmental and real-life conditions

### Ambient conditions

Degree of protection	IP66
Impact strength	IK06
Ambient temperature (operation)	-25 °C ... 60 °C

## Mounting

Mounting type	Latching with lower housing part
---------------	----------------------------------

# HC-STA-RJ45CT-HT-M20-PLRBK - Connector set

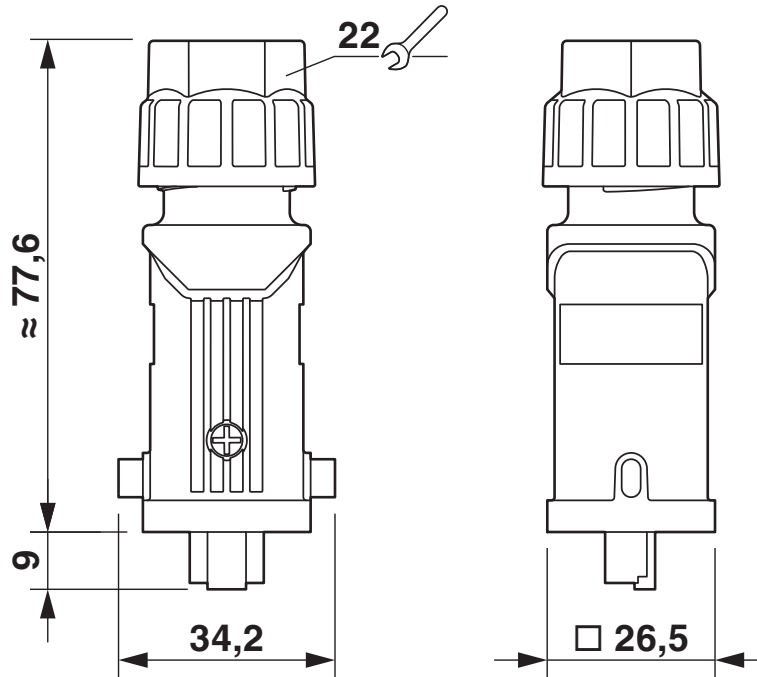
1249554

<https://www.phoenixcontact.com/us/products/1249554>



## Drawings

Dimensional drawing



Dimensional drawing

# HC-STA-RJ45CT-HT-M20-PLRBK - Connector set



1249554

<https://www.phoenixcontact.com/us/products/1249554>

## Classifications

### ECLASS

ECLASS-13.0	27440113
ECLASS-15.0	27440113

### ETIM

ETIM 10.0	EC002636
-----------	----------

### UNSPSC

UNSPSC 21.0	39121400
-------------	----------

# HC-STA-RJ45CT-HT-M20-PLRBK - Connector set



1249554

<https://www.phoenixcontact.com/us/products/1249554>

## Environmental product compliance

### EU RoHS

Fulfills EU RoHS substance requirements	Yes, No exemptions
---	--------------------

### China RoHS

Environment friendly use period (EFUP)	EFUP-E
	No hazardous substances above the limits

### EU REACH SVHC

REACH candidate substance (CAS No.)	No substance above 0.1 wt%
-------------------------------------	----------------------------

Phoenix Contact 2026 © - all rights reserved  
<https://www.phoenixcontact.com>

Phoenix Contact USA  
586 Fulling Mill Road  
Middletown, PA 17057, United States  
(+717) 944-1300  
[info@phoenixcon.com](mailto:info@phoenixcon.com)