

UCS 125-87-F-GD-D2,4-TRG 9005 - Universal housing with touch display



1246287

<https://www.phoenixcontact.com/us/products/1246287>

Please be informed that the data shown in this PDF document is generated from our online catalog. Please find the complete data in the user documentation. Our general terms of use for downloads are valid.



Complete housing for PCBs, can be positioned flexibly, adhesive pads for attaching the PCB, with turquoise blue corner inserts; touch display integrated in housing half-shell, resistive touch technology, 2.4 inch, resolution: 320 x 240 pixels, interface: SPI

Your advantages

- Housing system for visualization and operation in the field
- Time-saving assembly of ready-to-use modules with Plug and Play
- Positioning of the display using the configurator
- Space for additional electronics expands the Raspberry Pi minicomputer's areas of application
- Can be used universally thanks to extensive accessories

Commercial data

Item number	1246287
Packing unit	1 pc
Minimum order quantity	1 pc
Sales key	NULL
Product key	ACFCAD
GTIN	4063151347123
Weight per piece (including packing)	347.2 g
Weight per piece (excluding packing)	340 g
Customs tariff number	84879090
Country of origin	DE

UCS 125-87-F-GD-D2,4-TRG 9005 - Universal housing with touch display



1246287

<https://www.phoenixcontact.com/us/products/1246287>

Technical data

Notes

Assembly note	The housing can be opened a maximum of 10 times.
Note on application	Attach the adhesive pads: Make sure that the surface of the housing is clean, dry, and free of grease. Temperature range: +18°C ... +30°C / Closing pressure force: 60 N / Closing pressure time: 3 s
General	Please observe the application note in the download area.

Product properties

Product type	Complete housing
Housing type	Field housing
Housing type	Universal housings
Housing series	UCS
Product family	UCS 125-87
Ventilation openings present	no

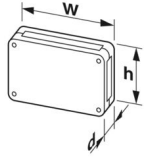
Display

Display type	Color display TFT
Diagonal	(Display) 2.4 in. / 6.9 cm (Display)
Screen resolution	320 x 240 Pixel(s)
Display formats	3:4
Display lighting type	LED, white
Contrast ratio	500:1
Controller	ST7789V

Interfaces

Interface	4-wire SPI half duplex
-----------	------------------------

Dimensions

Dimensional drawing	
Width	125 mm 125 mm
Height	87 mm
Depth	47 mm
Dimensions	100 mm x 62 mm (Maximum circuit board dimensions)

UCS 125-87-F-GD-D2,4-TRG 9005 - Universal housing with touch display



1246287

<https://www.phoenixcontact.com/us/products/1246287>

PCB design

PCB thickness	0.8 mm ... 3 mm
---------------	-----------------

Material specifications

Color (Housing)	black (RAL 9005)
Color (Corner inlay)	turquoise green (RAL 5018)
Material Housing	PC
Material Corner inlay	PA
Flammability rating according to UL 94	V0
CTI according to IEC 60112	225

Environmental and real-life conditions

Vibration test

Specification	IEC 60068-2-6:2007-12
Frequency	10 - 150 - 10 Hz
Sweep speed	1 octave/min
Amplitude	0.15 mm (10 Hz ... 58.1 Hz)
Acceleration	2g (58.1 Hz ... 150 Hz)
Test duration per axis	2.5 h
Test directions	X-, Y- and Z-axis

Glow-wire test

Specification	IEC 60695-2-11:2014-02
Temperature	850 °C
Time of exposure	30 s

Thermal stability / ball thrust test

Specification	IEC 60695-10-2:2014-02
Temperature	125 °C
Test duration	1 h
Force	20 N

Mechanical strength / tumbling barrel

Specification	IEC 60068-2-31:2008-05
Height of fall	50 cm
Frequency	50

Shocks

Specification	IEC 60068-2-27:2008-02
Pulse shape	Half-sine
Acceleration	15g
Shock duration	11 ms
Number of shocks per direction	3
Test directions	X-, Y- and Z-axis (pos. and neg.)

UCS 125-87-F-GD-D2,4-TRG 9005 - Universal housing with touch display



1246287

<https://www.phoenixcontact.com/us/products/1246287>

Test for substances that would hinder coating with paint or varnish

Specification	VW PV 3.10.7:2005-02
Result	Test passed

Ambient conditions

Max. IP code to attain	IP40
Ambient temperature (operation)	-20 °C ... 70 °C (depending on power dissipation)
Ambient temperature (storage/transport)	-30 °C ... 55 °C
Ambient temperature (assembly)	-5 °C ... 70 °C
Relative humidity (storage/transport)	80 %

PCB data

Number of PCB holders	1
Type of PCB mount	Bolt mounting
Total PCB surface	6000 mm ²
Thickness of the PCB	0.8 mm ... 3 mm
Supported form factors	Raspberry Pi
Note on PCB holders	This product is prepared for a printed-circuit board. Additional printed-circuit boards can be mounted using adhesive pads (accessories).

Mounting

Mounting type	Screw mounting
Mounting position	any
Tightening torque / speed	Screw connection between housing halves: 1.2 Nm-1.4 Nm / 500 rpm-1000 rpm
	Mounting the PCB: 0.4 Nm-0.5 Nm / 500 rpm-1000 rpm
Tightening torque	1.2 Nm ... 1.4 Nm
Tightening torque	0.4 Nm ... 0.5 Nm

Packaging specifications

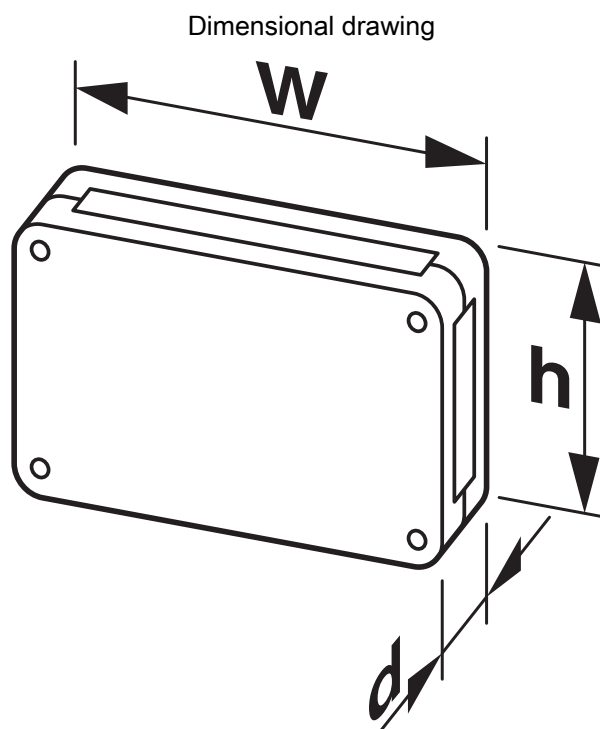
Type of packaging	Box packaging
-------------------	---------------

UCS 125-87-F-GD-D2,4-TRG 9005 - Universal housing with touch display

1246287

<https://www.phoenixcontact.com/us/products/1246287>

Drawings



Schematic representation – for additional information, see product range drawing in the Download Center

UCS 125-87-F-GD-D2,4-TRG 9005 - Universal housing with touch display



1246287

<https://www.phoenixcontact.com/us/products/1246287>

Approvals

To download certificates, visit the product detail page: <https://www.phoenixcontact.com/us/products/1246287>



UL Recognized

Approval ID: E240868

UCS 125-87-F-GD-D2,4-TRG 9005 - Universal housing with touch display



1246287

<https://www.phoenixcontact.com/us/products/1246287>

Classifications

ECLASS

ECLASS-13.0	27190104
ECLASS-15.0	27190104

ETIM

ETIM 10.0	EC001031
-----------	----------

UNSPSC

UNSPSC 21.0	31261500
-------------	----------

UCS 125-87-F-GD-D2,4-TRG 9005 - Universal housing with touch display



1246287

<https://www.phoenixcontact.com/us/products/1246287>

Environmental product compliance

EU RoHS

Fulfills EU RoHS substance requirements	Yes, No exemptions
---	--------------------

China RoHS

Environment friendly use period (EFUP)	EFUP-50
	An article-related China RoHS declaration table can be found in the download area for the respective article under "Manufacturer declaration". For all articles with EFUP-E, no China RoHS declaration table issued and required.

EU REACH SVHC

REACH candidate substance (CAS No.)	Perfluorobutane sulfonic acid (PFBS) and its salts(CAS: n/a)
SCIP	8c9761ea-c508-4327-9008-f5def4554a73

Phoenix Contact 2026 © - all rights reserved
<https://www.phoenixcontact.com>

Phoenix Contact USA
586 Fulling Mill Road
Middletown, PA 17057, United States
(+717) 944-1300
info@phoenixcon.com