

SF-5EP1N8A90A5X - Coupler connector



1245420

<https://www.phoenixcontact.com/us/products/1245420>

Please be informed that the data shown in this PDF document is generated from our online catalog. Please find the complete data in the user documentation. Our general terms of use for downloads are valid.



The figure shows the 8-pos.
(4+3+PE) product version

Coupler connector, application: Power, straight short, Screw locking mechanism, M23, number of positions: 5+PE, contact connection type: Pin, shielded: yes, degree of protection: IP67, cable diameter range: 5.5 mm ... 8.5 mm, number of positions: 6, connection method: Crimp connection, series: SF, Item is lead-free in accordance with RoHS II without Exemption 6c (Pb < 0.1 %), Compatible with mating connectors with SPEEDCON or M23 standard knurled nuts

Your advantages

- Consistent EMC protection for reliable connection solutions in the industrial environment
- Crimping connection: vibration- and temperature-resistant assembly
- Flexible use: reliably connect various cable diameters

Commercial data

Item number	1245420
Packing unit	1 pc
Minimum order quantity	1 pc
Product key	ABRBFG
GTIN	4063151410032
Weight per piece (including packing)	96.8 g
Weight per piece (excluding packing)	93.733 g
Country of origin	DE

SF-5EP1N8A90A5X - Coupler connector



1245420

<https://www.phoenixcontact.com/us/products/1245420>

Technical data

Notes

Order information:	Order crimp contacts 6 x Ø 2 mm separately
--------------------	--

Safety note

Safety note	WARNING: The connectors may not be plugged in or disconnected under load. Ignoring the warning or improper use may damage persons and/or property.
	• WARNING: Commission properly functioning products only. The products must be regularly inspected for damage. Decommission defective products immediately. Replace damaged products. Repairs are not possible.
	• WARNING: Only electrically qualified personnel may install and operate the product. They must observe the following safety notes. The qualified personnel must be familiar with the basics of electrical engineering. They must be able to recognize and prevent danger. The relevant symbol on the packaging indicates that only personnel familiar with electrical engineering are allowed to install and operate the product.
	• The products are suitable for applications in plant, controller, and electrical device engineering.
	• When operating the connectors in outdoor applications, they must be separately protected against environmental influences.
	• Assembled products may not be manipulated or improperly opened.
	• Only use mating connectors that are specified in the technical data of the standards listed (e.g. the ones listed in the product accessories online at phoenixcontact.com/products).
	• When using the product in direct connection with third-party manufacturers, the user is responsible.
	• For operating voltages > 50 V AC, conductive connector housings must be grounded
	• Ensure that the protective or functional ground has been properly connected.
	• VDE 0100/1.97 § 411.1.3.2 and DIN EN 60 204/11.98 § 14.1.3 are applicable when combining several circuits in a cable and/or connector
	• Only use tools recommended by Phoenix Contact
	• The installation notes/Design In documents online on the download page at phoenixcontact.com/products must be observed for this product.
	• Operate the connector only when it is fully plugged in and interlocked.

SF-5EP1N8A90A5X - Coupler connector



1245420

<https://www.phoenixcontact.com/us/products/1245420>

warnings (e.g. DIN EN ISO 13732-1:2008-12).

Product properties

Product type	Circular connector (cable-side)
Series	SF
Application	Power
Number of positions	6
Connection profile	5+PE
Shielded	yes
Coding	N
Thread type	M23

Material specifications

Seal material	FPM
Housing material	Metal

Connection data

Conductor connection

Connection method	Crimp connection
-------------------	------------------

Electrical properties

Contact: Contact group 1

Contact diameter	2 mm
Nominal current I_N	30 A
Nominal voltage U_N	630 V
Overvoltage category	III
Degree of pollution	3
Rated surge voltage	6 kV

Connector

Type	straight short
------	----------------

Connection 1

Head design	Pin
-------------	-----

Cable/line

External cable diameter	5.5 mm ... 8.5 mm
-------------------------	-------------------

Environmental and real-life conditions

Ambient conditions

Degree of protection	IP67
Ambient temperature (operation)	-40 °C ... 125 °C
Altitude	3000 m
Permissible humidity (storage/transport)	50 % ... 65 %

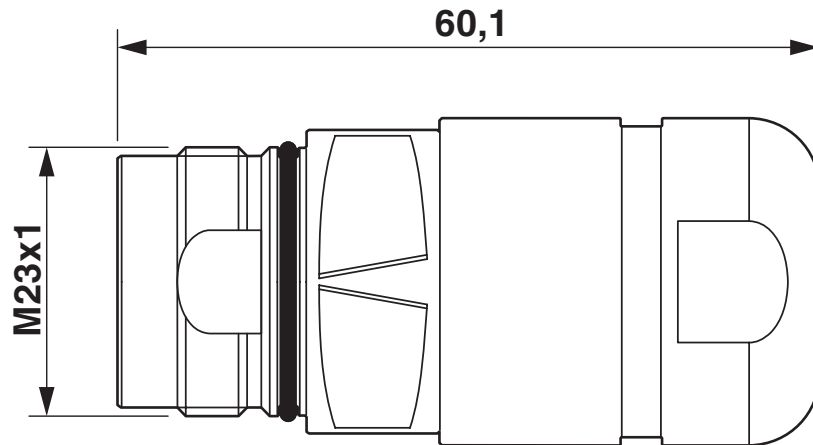
SF-5EP1N8A90A5X - Coupler connector

1245420

<https://www.phoenixcontact.com/us/products/1245420>

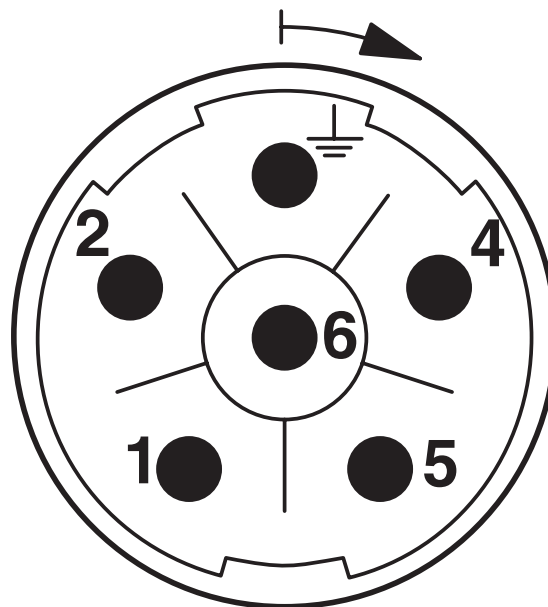
Drawings

Dimensional drawing



Dimensional drawing

Schematic diagram



Connector pin assignment

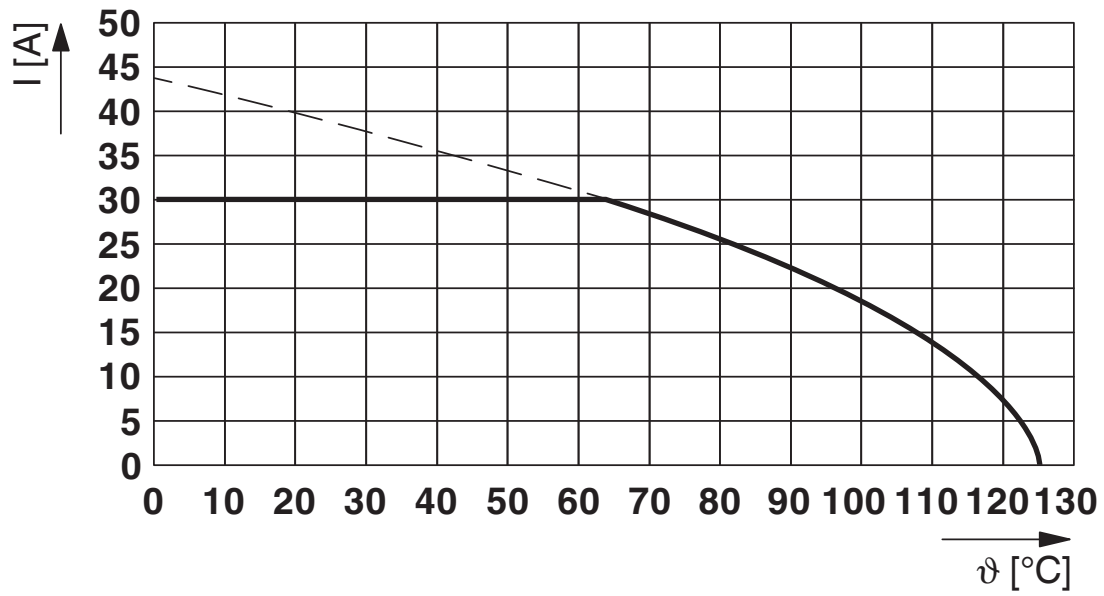
SF-5EP1N8A90A5X - Coupler connector



1245420

<https://www.phoenixcontact.com/us/products/1245420>

Diagram



SF-5EP1N8A90A5X - Coupler connector



1245420

<https://www.phoenixcontact.com/us/products/1245420>

Classifications

ECLASS

ECLASS-13.0

27440116

ETIM

ETIM 9.0

EC002635

SF-5EP1N8A90A5X - Coupler connector



1245420

<https://www.phoenixcontact.com/us/products/1245420>

Environmental product compliance

EU RoHS

Fulfills EU RoHS substance requirements	Yes, No exemptions
---	--------------------

China RoHS

Environment friendly use period (EFUP)	EFUP-E
	No hazardous substances above the limits

EU REACH SVHC

REACH candidate substance (CAS No.)	No substance above 0.1 wt%
-------------------------------------	----------------------------

Phoenix Contact 2026 © - all rights reserved
<https://www.phoenixcontact.com>

Phoenix Contact USA
586 Fulling Mill Road
Middletown, PA 17057, United States
(+717) 944-1300
info@phoenixcon.com