

RC-12S1N12Q0EQX - Device connector rear mounting



1244495

<https://www.phoenixcontact.com/us/products/1244495>

Please be informed that the data shown in this PDF document is generated from our online catalog. Please find the complete data in the user documentation. Our general terms of use for downloads are valid.



M23, Device connector rear mounting, application: Signal, series: RC, straight, shielded: yes, No. of pos.: 12, Direction of rotation: Standard, contact connection type: Socket, Solder cup, Axial O-ring, cable diameter range: 3 mm ... 10.5 mm, coding: N, Item is lead-free in accordance with RoHS II without Exemption 6c (Pb < 0.1 %)

Commercial data

Item number	1244495
Packing unit	12 pc
Minimum order quantity	1 pc
Product key	ABRAFJ
GTIN	4063151430856
Weight per piece (including packing)	105.12 g
Weight per piece (excluding packing)	74.26 g
Country of origin	DE

1244495

<https://www.phoenixcontact.com/us/products/1244495>

Technical data

Product properties

Product type	Circular connector (cable-side)
--------------	---------------------------------

Connector

Insulating body

Coding	N
Material (Insulating body)	PBT
Material (Contact)	CuZn
Material (Contact surface)	Ni/Au
Insertion/withdrawal cycles	50
Connection method	Solder cup
Contact switching type	Socket
Application	Signal
Number of positions	12
Direction of rotation	Standard
Connection profile	12
Number (Contact group 1)	12
Contact diameter (Contact group 1)	1 mm
Litz wires Min. cross section (Contact group 1)	0.08 mm ²
Litz wires Max. cross section (Contact group 1)	1 mm ²
Rated current Contact (Contact group 1)	8 A (for max. connection cross section)
Rated voltage Contact (Contact group 1)	48 V AC 74 V DC
Rated surge voltage	1.5 kV
Overvoltage category	III
Degree of pollution	3

Housing

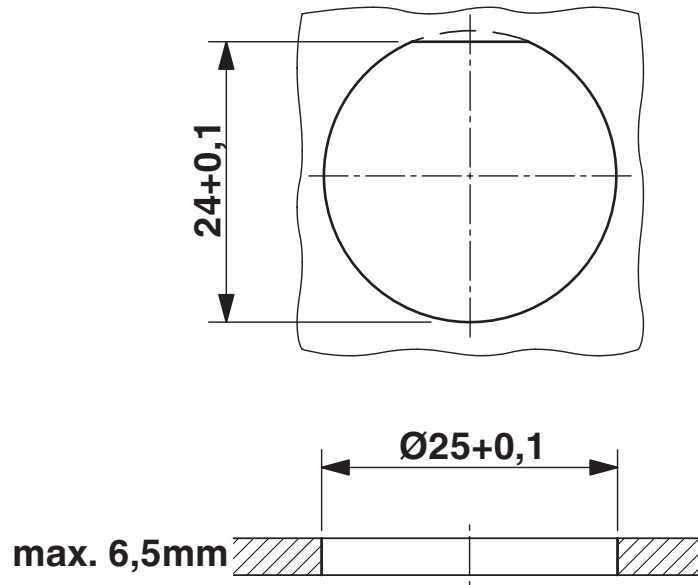
Type	Feed-through header
Thread type	M23
Design	straight
Mounting type	Rear mounting
Assembly note	Central fastening
Material (Housing)	GD-Zn
Material (Housing surface)	Ni
Material (Rotating parts)	CuZn
Degree of protection (plugged in)	IP67
Seal for the device	Axial O-ring

Seal

External cable diameter	3 mm ... 10.5 mm
Seal material	NBR

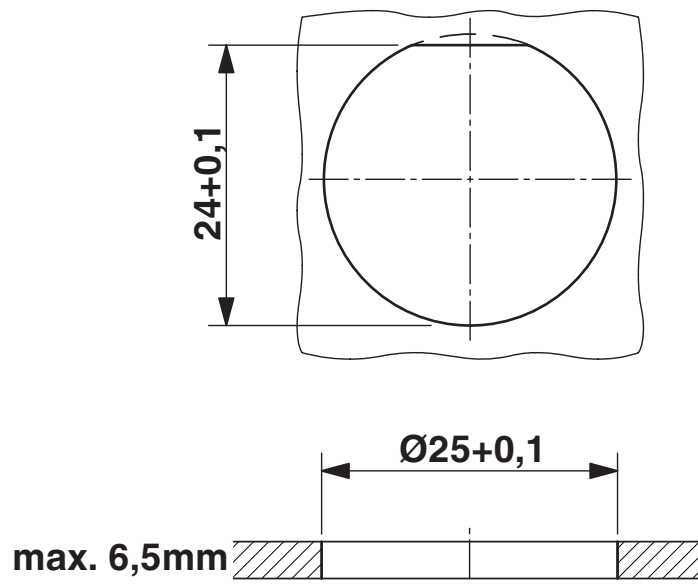
Drawings

Dimensional drawing



Installation dimensions

Dimensional drawing

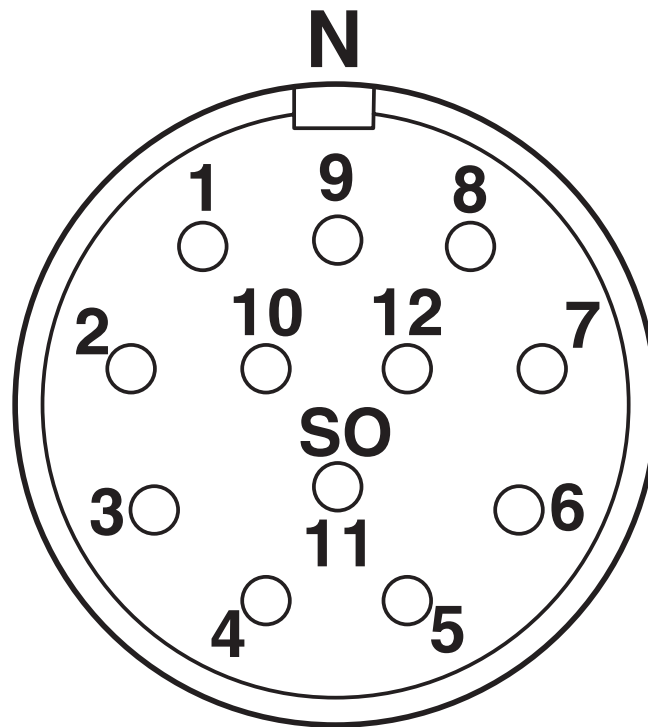


Installation dimensions

1244495

<https://www.phoenixcontact.com/us/products/1244495>

Schematic diagram



Connector pin assignment

Schematic diagram



Dimensional drawing

1244495

<https://www.phoenixcontact.com/us/products/1244495>

Environmental product compliance

EU RoHS

Fulfills EU RoHS substance requirements	Yes, No exemptions
---	--------------------

China RoHS

Environment friendly use period (EFUP)	EFUP-E
	No hazardous substances above the limits

EU REACH SVHC

REACH candidate substance (CAS No.)	No substance above 0.1 wt%
-------------------------------------	----------------------------

Phoenix Contact 2026 © - all rights reserved
<https://www.phoenixcontact.com>

Phoenix Contact USA
586 Fulling Mill Road
Middletown, PA 17057, United States
(+717) 944-1300
info@phoenixcon.com