

CA-12P1NA22S00X - Device connector front mounting



1243899

<https://www.phoenixcontact.com/us/products/1243899>

Please be informed that the data shown in this PDF document is generated from our online catalog. Please find the complete data in the user documentation. Our general terms of use for downloads are valid.



M23, Device connector front mounting, application: Signal, series: CA, straight, shielded: yes, for standard and SPEEDCON interlock, No. of pos.: 12, Direction of rotation: Standard, contact connection type: Pin, Solder-in connection, Flat gasket, flange dimensions: 25 mm x 25 mm, coding: N, Item is lead-free in accordance with RoHS II without Exemption 6c (Pb < 0.1 %)

Your advantages

- Safe use in the field, thanks to high degree of protection
- Consistent EMC protection for reliable transmission of signals
- Easy device integration: solder-in contacts available in different lengths

Commercial data

Item number	1243899
Packing unit	1 pc
Minimum order quantity	1 pc
Product key	ABRAEL
GTIN	4063151402709
Weight per piece (including packing)	28.2 g
Weight per piece (excluding packing)	25.019 g
Country of origin	DE

1243899

<https://www.phoenixcontact.com/us/products/1243899>

Technical data

Product properties

Product type	Circular connectors (device side)
--------------	-----------------------------------

Dimensions

Length of the solder pin	10 mm
	10 mm

Connector

Insulating body

Coding	N
Material (Insulating body)	PBT
Material (Contact)	CuZn
Material (Contact surface)	Ni/Au
Connection method	Solder-in connection
Contact switching type	Pin
Application	Signal
Number of positions	12
Direction of rotation	Standard
Connection profile	12
Number (Contact group 1)	12
Contact diameter (Contact group 1)	1 mm
Rated current Contact (Contact group 1)	8 A (for max. connection cross section)
Rated voltage Contact (Contact group 1)	48 V AC
	74 V DC
Rated surge voltage	1.5 kV
Overvoltage category	III
Degree of pollution	3

Housing

Type	Flange housing
Thread type	M23
Design	straight
Type of locking	for standard and SPEEDCON interlock
Pg screw connection	none
Mounting type	Front mounting/square flange (4x Ø 3.2 mm)
Flange dimensions	25 mm x 25 mm
Material (Housing)	GD-Zn
Degree of protection (plugged in)	IP67
Seal for the device	Flat gasket

Environmental and real-life conditions

CA-12P1NA22S00X - Device connector front mounting



1243899

<https://www.phoenixcontact.com/us/products/1243899>

Ambient conditions

Ambient temperature (operation)

-40 °C ... 125 °C

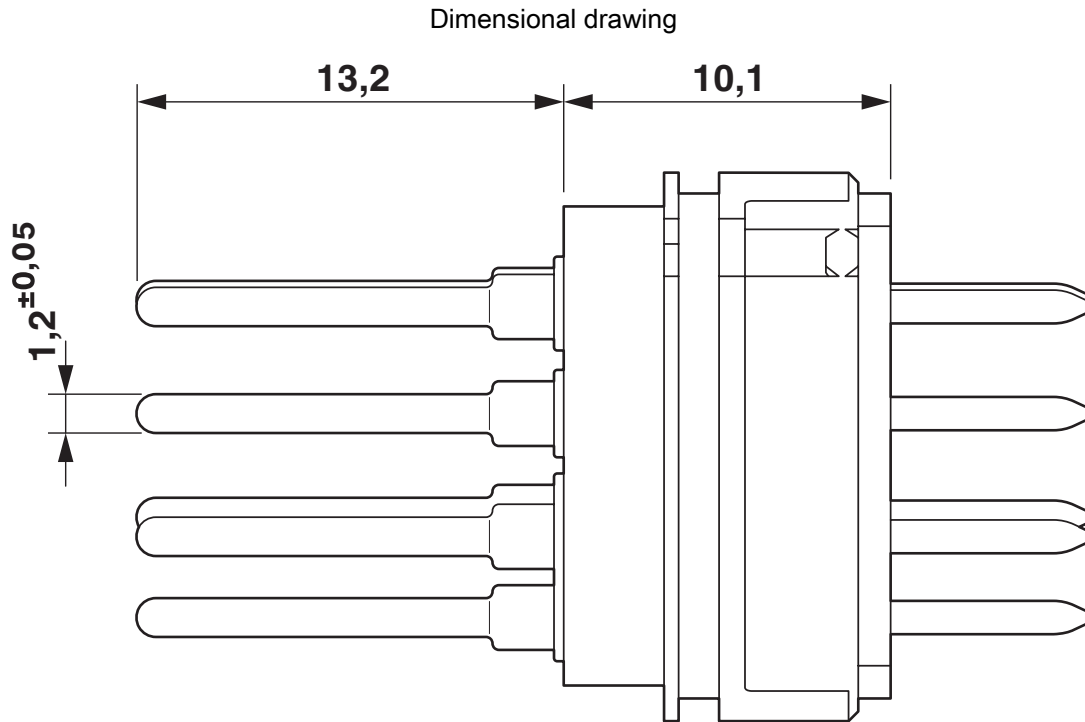
CA-12P1NA22S00X - Device connector front mounting



1243899

<https://www.phoenixcontact.com/us/products/1243899>

Drawings

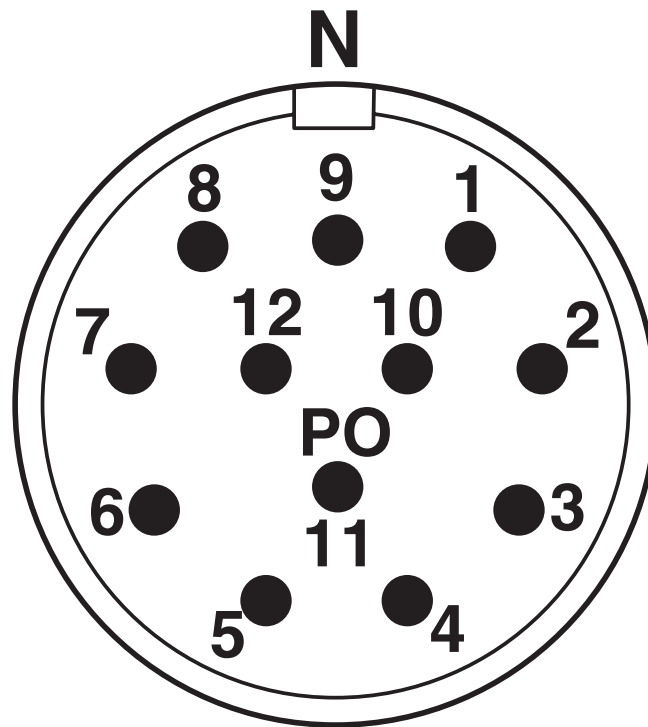


Dimensional drawing

1243899

<https://www.phoenixcontact.com/us/products/1243899>

Schematic diagram



Connector pin assignment

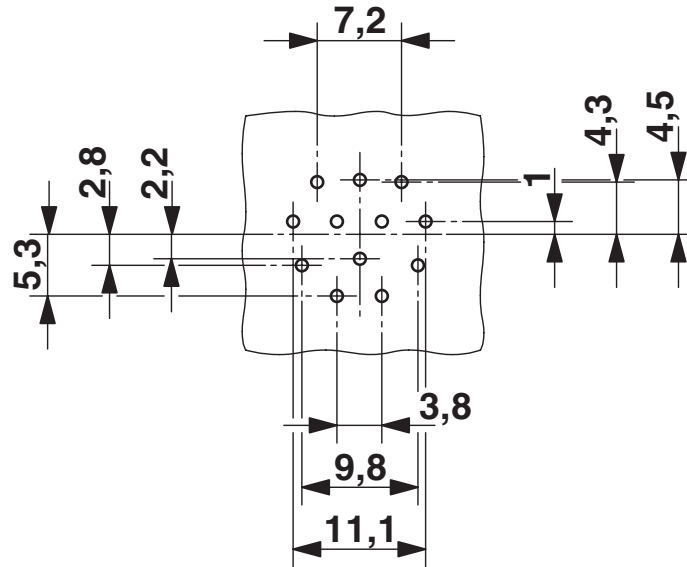
CA-12P1NA22S00X - Device connector front mounting



1243899

<https://www.phoenixcontact.com/us/products/1243899>

Drilling plan/solder pad geometry



12-pos.

CA-12P1NA22S00X - Device connector front mounting



1243899

<https://www.phoenixcontact.com/us/products/1243899>

Classifications

ETIM

ETIM 9.0

EC003569

UNSPSC

UNSPSC 21.0

39121100

CA-12P1NA22S00X - Device connector front mounting



1243899

<https://www.phoenixcontact.com/us/products/1243899>

Environmental product compliance

EU RoHS

Fulfills EU RoHS substance requirements	Yes, No exemptions
---	--------------------

China RoHS

Environment friendly use period (EFUP)	EFUP-E
	No hazardous substances above the limits

EU REACH SVHC

REACH candidate substance (CAS No.)	No substance above 0.1 wt%
-------------------------------------	----------------------------

Phoenix Contact 2026 © - all rights reserved
<https://www.phoenixcontact.com>

Phoenix Contact USA
586 Fulling Mill Road
Middletown, PA 17057, United States
(+717) 944-1300
info@phoenixcon.com