

CA-07S1N126Z00X - Device connector front mounting



1243880

<https://www.phoenixcontact.com/us/products/1243880>

Please be informed that the data shown in this PDF document is generated from our online catalog. Please find the complete data in the user documentation. Our general terms of use for downloads are valid.



The figure shows the 6-pos.
product version

M23, Device connector front mounting, application: Signal, series: CA, straight, shielded: yes, for standard and SPEEDCON interlock, No. of pos.: 7, Direction of rotation: Standard, contact connection type: Socket, Solder connection, Axial seal, coding: N, Item is lead-free in accordance with RoHS II without Exemption 6c (Pb < 0.1 %)

Your advantages

- Safe use in the field, thanks to high degree of protection
- Connector for flexible on-site assembly
- Consistent EMC protection for reliable transmission of signals
- Solder connection: proven connection technology for various litz wires

Commercial data

Item number	1243880
Packing unit	1 pc
Minimum order quantity	1 pc
Product key	ABRAEL
GTIN	4063151404116
Weight per piece (including packing)	26.47 g
Weight per piece (excluding packing)	23.559 g
Country of origin	DE

1243880

<https://www.phoenixcontact.com/us/products/1243880>

Technical data

Product properties

Product type	Circular connectors (device side)
--------------	-----------------------------------

Connector

Insulating body

Coding	N
Material (Insulating body)	PBT
Material (Contact)	CuZn
Material (Contact surface)	Ni/Au
Insertion/withdrawal cycles	100
Connection method	Solder connection
Contact switching type	Socket
Application	Signal
Number of positions	7
Direction of rotation	Standard
Connection profile	7
Rated voltage Contact (Contact group 1)	48 V AC 74 V DC
Rated surge voltage	1.5 kV
Overvoltage category	III
Degree of pollution	3
Number (Contact group 2)	7
Contact diameter (Contact group 2)	2 mm
Litz wires Max. cross section (Contact group 2)	2.5 mm ²
Rated current Contact (Contact group 2)	20 A

Housing

Order information:	If necessary, order locking nut separately
Thread type	M23
Design	straight
Type of locking	for standard and SPEEDCON interlock
Pg screw connection	none
Mounting type	Front mounting (Pg13,5)
Assembly note	Central fastening
Housing material	CuZn
Degree of protection (plugged in)	IP67
Seal for the device	Axial seal

Environmental and real-life conditions

Ambient conditions

Ambient temperature (operation)	-40 °C ... 125 °C
---------------------------------	-------------------

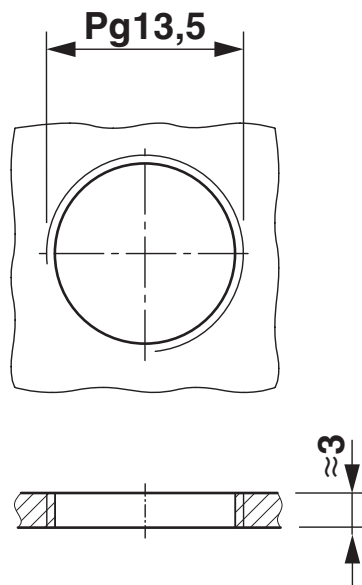
CA-07S1N126Z00X - Device connector front mounting

1243880

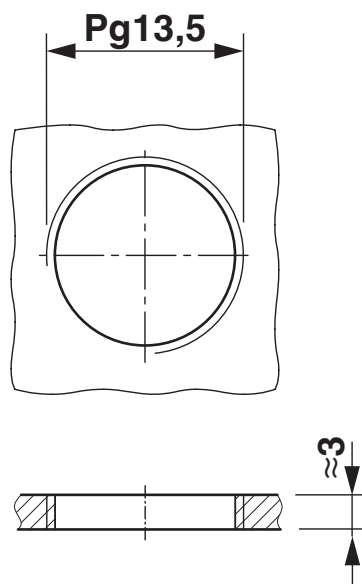
<https://www.phoenixcontact.com/us/products/1243880>

Drawings

Dimensional drawing

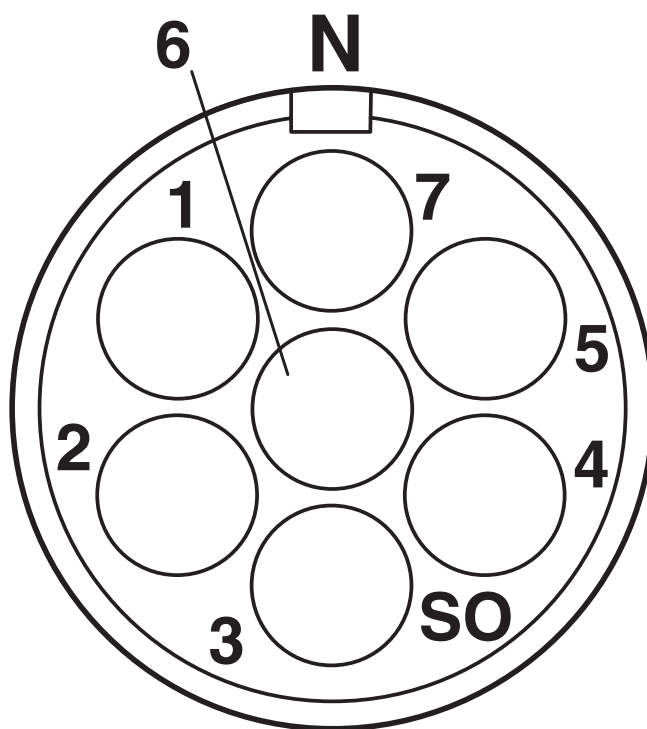


Dimensional drawing



Installation dimensions

Schematic diagram



Connector pin assignment

CA-07S1N126Z00X - Device connector front mounting

1243880

<https://www.phoenixcontact.com/us/products/1243880>



Schematic diagram



Connector pin assignment

CA-07S1N126Z00X - Device connector front mounting



1243880

<https://www.phoenixcontact.com/us/products/1243880>

Classifications

ETIM

ETIM 9.0

EC002498

UNSPSC

UNSPSC 21.0

39121100

CA-07S1N126Z00X - Device connector front mounting



1243880

<https://www.phoenixcontact.com/us/products/1243880>

Environmental product compliance

EU RoHS

Fulfills EU RoHS substance requirements	Yes, No exemptions
---	--------------------

China RoHS

Environment friendly use period (EFUP)	EFUP-E
	No hazardous substances above the limits

EU REACH SVHC

REACH candidate substance (CAS No.)	No substance above 0.1 wt%
-------------------------------------	----------------------------

Phoenix Contact 2026 © - all rights reserved
<https://www.phoenixcontact.com>

Phoenix Contact USA
586 Fulling Mill Road
Middletown, PA 17057, United States
(+717) 944-1300
info@phoenixcon.com