

RC-07S1NA2H000X - Device connector rear mounting



1243218

<https://www.phoenixcontact.com/us/products/1243218>

Please be informed that the data shown in this PDF document is generated from our online catalog. Please find the complete data in the user documentation. Our general terms of use for downloads are valid.



The figure shows the 12-pos.
product version

M23, Device connector rear mounting, application: Signal, series: RC, straight, shielded: yes, Screw locking mechanism, No. of pos.: 6, Direction of rotation: Standard, contact connection type: Socket, Solder-in connection, Axial O-ring, Panel thickness min.: 0.8 mm, Panel thickness max.: 6.5 mm, coding: N, Item is lead-free in accordance with RoHS II without Exemption 6c (Pb < 0.1 %)

Commercial data

Item number	1243218
Packing unit	12 pc
Minimum order quantity	12 pc
Product key	ABRAFR
GTIN	4063151430924
Weight per piece (including packing)	65.15 g
Weight per piece (excluding packing)	56.73 g
Country of origin	DE

RC-07S1NA2H000X - Device connector rear mounting



1243218

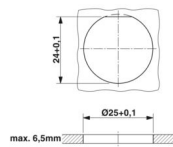
<https://www.phoenixcontact.com/us/products/1243218>

Technical data

Product properties

Product type	Circular connectors (device side)
--------------	-----------------------------------

Dimensions

Dimensional drawing	
Length of the solder pin	3.5 mm
	3.5 mm

Connector

Insulating body

Coding	N
Insertion/withdrawal cycles	50
Connection method	Solder-in connection
Contact switching type	Socket
Application	Signal
Number of positions	7
Direction of rotation	Standard
Connection profile	6
Contact diameter (Contact group 1)	2 mm
Rated current Contact (Contact group 1)	20 A (for max. connection cross section)
Rated voltage Contact (Contact group 1)	48 V AC
	74 V DC
Rated surge voltage	1.5 kV
Overvoltage category	III
Degree of pollution	3

Housing

Type	Feed-through header
Thread type	M23
Design	straight
Type of locking	Screw locking mechanism
Pg screw connection	none
Mounting type	Rear mounting (M25 x 1,5)
Assembly note	Central fastening
Material (Housing)	GD-Zn
Material (Housing surface)	Ni
Material (Rotating parts)	CuZn

RC-07S1NA2H000X - Device connector rear mounting



1243218

<https://www.phoenixcontact.com/us/products/1243218>

Degree of protection (plugged in)	IP67
Seal for the device	Axial O-ring

RC-07S1NA2H000X - Device connector rear mounting

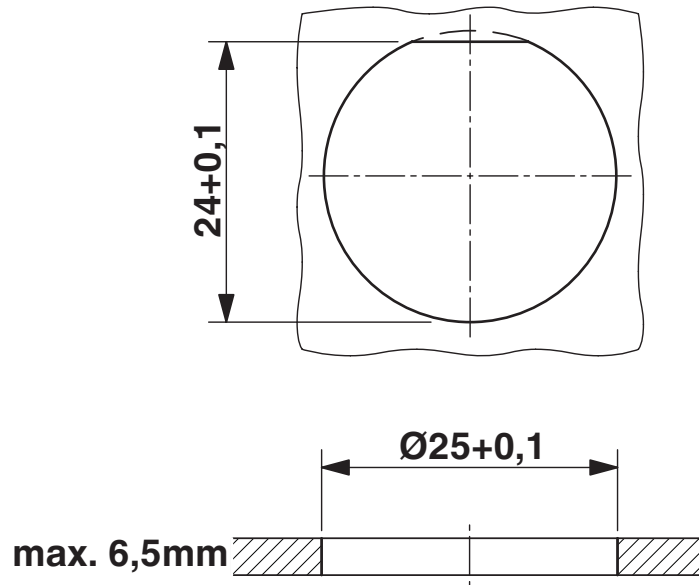


1243218

<https://www.phoenixcontact.com/us/products/1243218>

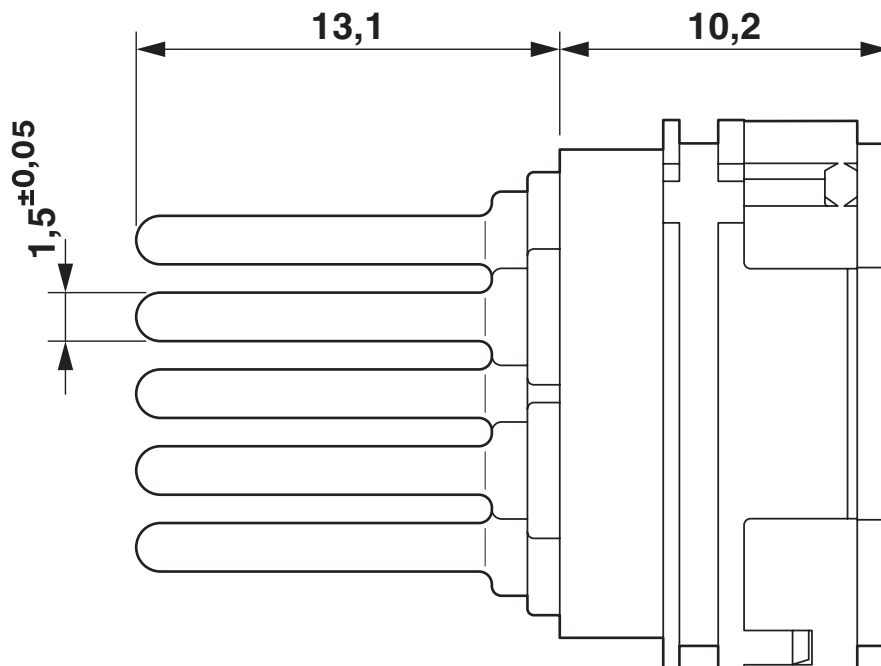
Drawings

Dimensional drawing



Installation dimensions

Dimensional drawing



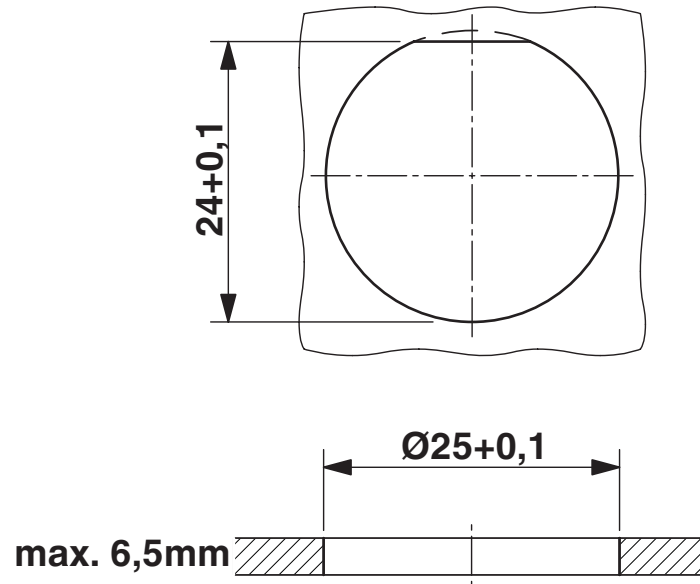
Dimensional drawing

RC-07S1NA2H000X - Device connector rear mounting

1243218

<https://www.phoenixcontact.com/us/products/1243218>

Dimensional drawing



Installation dimensions

RC-07S1NA2H000X - Device connector rear mounting



1243218

<https://www.phoenixcontact.com/us/products/1243218>

Schematic diagram



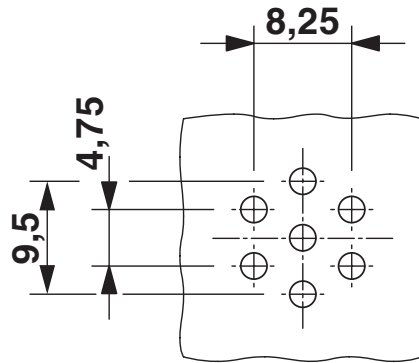
Connector pin assignment

RC-07S1NA2H000X - Device connector rear mounting

1243218

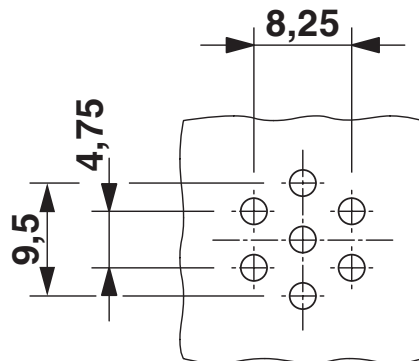
<https://www.phoenixcontact.com/us/products/1243218>

Drilling plan/solder pad geometry



7-pos.

Drilling plan/solder pad geometry



RC-07S1NA2H000X - Device connector rear mounting



1243218

<https://www.phoenixcontact.com/us/products/1243218>

Classifications

ETIM

ETIM 9.0

EC002635

RC-07S1NA2H000X - Device connector rear mounting



1243218

<https://www.phoenixcontact.com/us/products/1243218>

Environmental product compliance

EU RoHS

Fulfills EU RoHS substance requirements	Yes, No exemptions
---	--------------------

China RoHS

Environment friendly use period (EFUP)	EFUP-E
	No hazardous substances above the limits

EU REACH SVHC

REACH candidate substance (CAS No.)	No substance above 0.1 wt%
-------------------------------------	----------------------------

Phoenix Contact 2026 © - all rights reserved
<https://www.phoenixcontact.com>

Phoenix Contact USA
586 Fulling Mill Road
Middletown, PA 17057, United States
(+717) 944-1300
info@phoenixcon.com