

# RF-12S1N8AA200X - Device connector front mounting



1242263

<https://www.phoenixcontact.com/us/products/1242263>

Please be informed that the data shown in this PDF document is generated from our online catalog. Please find the complete data in the user documentation. Our general terms of use for downloads are valid.



Device connector front mounting, application: Signal, angled fixed, Screw locking mechanism, M23, number of positions: 12, contact connection type: Socket, Axial O-ring, 4x Ø 3.2, shielded: yes, number of positions: 12, connection method: Crimp connection, series: RF, Item is lead-free in accordance with RoHS II without Exemption 6c (Pb < 0.1 %)

## Commercial data

Item number	1242263
Packing unit	10 pc
Minimum order quantity	1 pc
Product key	ABRAGM
GTIN	4063151428143
Weight per piece (including packing)	209.2 g
Weight per piece (excluding packing)	129.663 g
Country of origin	DE

1242263

<https://www.phoenixcontact.com/us/products/1242263>

## Technical data

### Notes

Order information:	Order crimp contacts Ø 1 mm separately
--------------------	--

### Product properties

Product type	Circular connectors (device side)
Series	RF
Application	Signal
	Signal
Number of positions	12
Connection profile	12
Shielded	yes
Coding	N
Thread type	M23

### Material specifications

Seal material	FPM
Housing material	Metal

### Electrical properties

#### Contact

Contact diameter	1 mm
Nominal current $I_N$	8 A
Nominal voltage $U_N$	48 V AC
	74 V DC
Overvoltage category	III
Degree of pollution	3
Rated surge voltage	1.5 kV

### Connection data

#### Conductor connection

Connection method	Crimp connection
Contact connection type	Socket

### Connector

Type	angled fixed
Direction of rotation	Standard

### Environmental and real-life conditions

#### Ambient conditions

Degree of protection	IP67
----------------------	------

# RF-12S1N8AA200X - Device connector front mounting



1242263

<https://www.phoenixcontact.com/us/products/1242263>

Ambient temperature (operation)	-40 °C ... 125 °C
Altitude	2000 m

# RF-12S1N8AA200X - Device connector front mounting

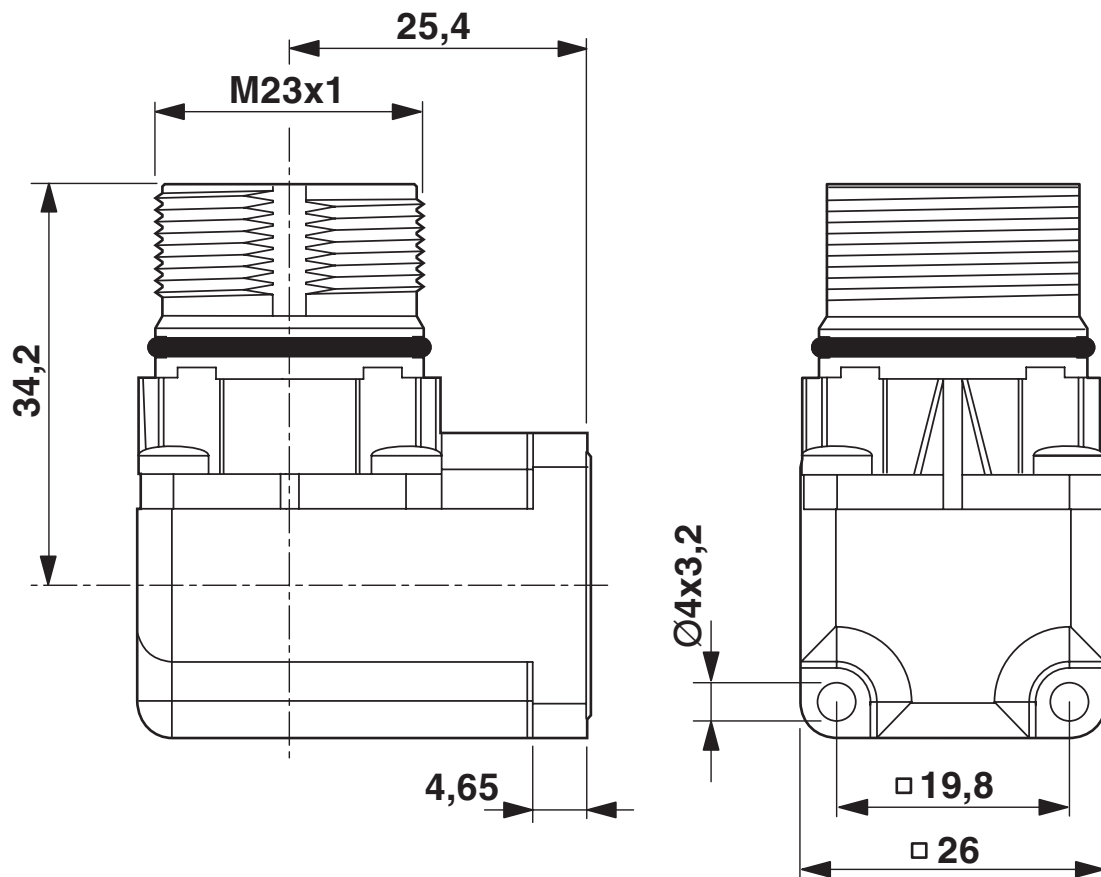


1242263

<https://www.phoenixcontact.com/us/products/1242263>

## Drawings

Dimensional drawing



Dimensional drawing

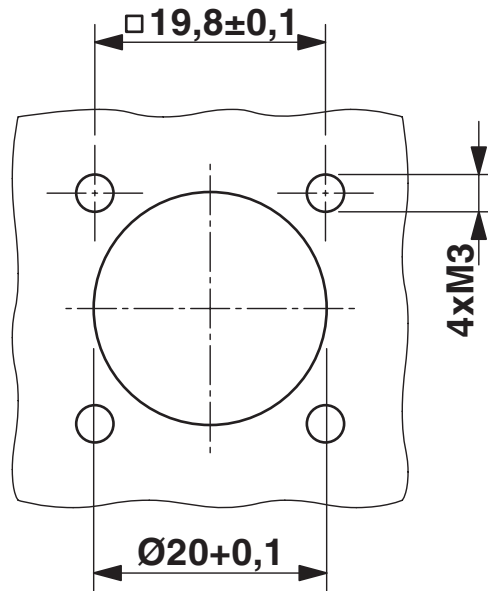
# RF-12S1N8AA200X - Device connector front mounting



1242263

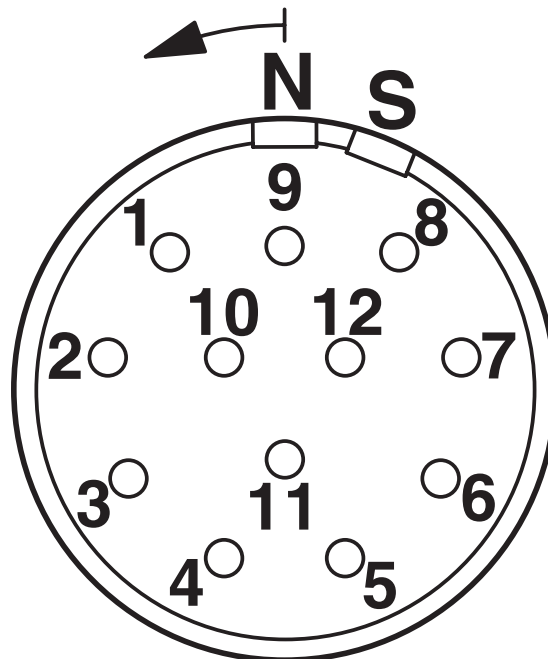
<https://www.phoenixcontact.com/us/products/1242263>

Dimensional drawing



Installation dimensions

Schematic diagram



Connector pin assignment

# RF-12S1N8AA200X - Device connector front mounting



1242263

<https://www.phoenixcontact.com/us/products/1242263>

## Classifications

### ETIM

ETIM 9.0

EC003569

# RF-12S1N8AA200X - Device connector front mounting



1242263

<https://www.phoenixcontact.com/us/products/1242263>

## Environmental product compliance

### EU RoHS

Fulfills EU RoHS substance requirements	Yes, No exemptions
---	--------------------

### China RoHS

Environment friendly use period (EFUP)	EFUP-E
	No hazardous substances above the limits

### EU REACH SVHC

REACH candidate substance (CAS No.)	No substance above 0.1 wt%
-------------------------------------	----------------------------

Phoenix Contact 2026 © - all rights reserved  
<https://www.phoenixcontact.com>

Phoenix Contact USA  
586 Fulling Mill Road  
Middletown, PA 17057, United States  
(+717) 944-1300  
[info@phoenixcon.com](mailto:info@phoenixcon.com)