

# RC-19S1NP24300X - Device connector rear mounting



1241567

<https://www.phoenixcontact.com/us/products/1241567>

Please be informed that the data shown in this PDF document is generated from our online catalog. Please find the complete data in the user documentation. Our general terms of use for downloads are valid.



M23, Device connector rear mounting, application: Signal, series: RC, straight, Screw locking mechanism, No. of pos.: 16+3, Direction of rotation: Standard, contact connection type: Socket, Solder-in connection, Radial O-ring, Panel thickness min.: 2.7 mm, Panel thickness max.: 3.5 mm, coding: N, Item is lead-free in accordance with RoHS II without Exemption 6c (Pb < 0.1 %). This product is in the process of being discontinued. This product must no longer be considered for new projects. Please contact your sales representative for alternatives.

The figure shows the 12-pos. product version

## Commercial data

Item number	1241567
Packing unit	20 pc
Minimum order quantity	20 pc
Sales key	AB31
Product key	ABRAFR
GTIN	4063151442415
Weight per piece (including packing)	36.24 g
Weight per piece (excluding packing)	32.55 g
Customs tariff number	85366990
Country of origin	DE

1241567

<https://www.phoenixcontact.com/us/products/1241567>

## Technical data

### Product properties

Product type	Circular connectors (device side)
--------------	-----------------------------------

### Connector

#### Insulating body

Coding	N
Connection method	Solder-in connection
Contact switching type	Socket
Application	Signal
Number of positions	19
Direction of rotation	Standard
Connection profile	16+3
Number (Contact group 1)	3
Contact diameter (Contact group 1)	1.5 mm
Litz wires Min. cross section (Contact group 1)	0.08 mm <sup>2</sup>
Litz wires Max. cross section (Contact group 1)	1 mm <sup>2</sup>
Rated current Contact (Contact group 1)	10 A (for max. connection cross section)
Rated voltage Contact (Contact group 1)	48 V AC
	74 V DC
Rated surge voltage	1.5 kV
Overvoltage category	III
Degree of pollution	3
Number (Contact group 2)	16
Contact diameter (Contact group 2)	1 mm
Litz wires Max. cross section (Contact group 2)	1 mm <sup>2</sup>

#### Housing

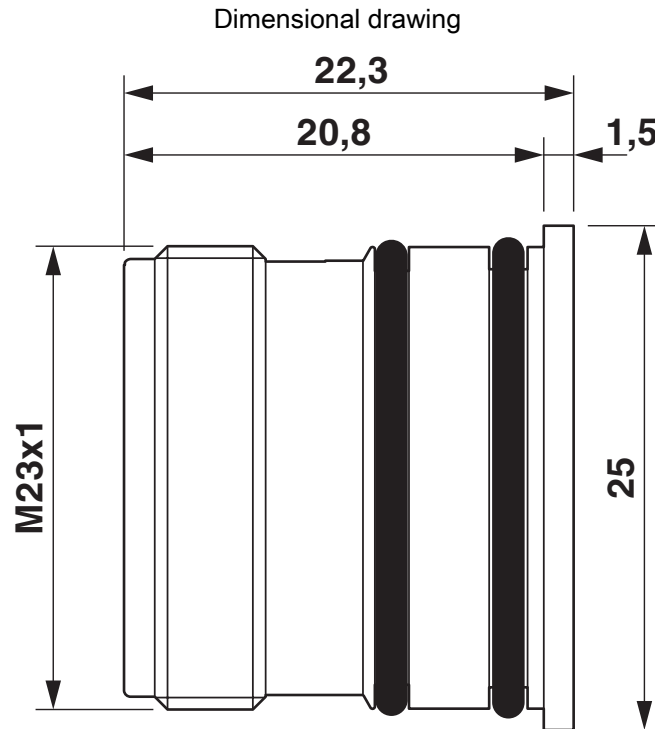
Type	Flange housing
Thread type	M23
Design	straight
Type of locking	Screw locking mechanism
Pg screw connection	none
Mounting type	Rear mounting/square flange (4x M3)
Material (Housing)	Metal
Degree of protection (plugged in)	IP67
Seal for the device	Radial O-ring

# RC-19S1NP24300X - Device connector rear mounting

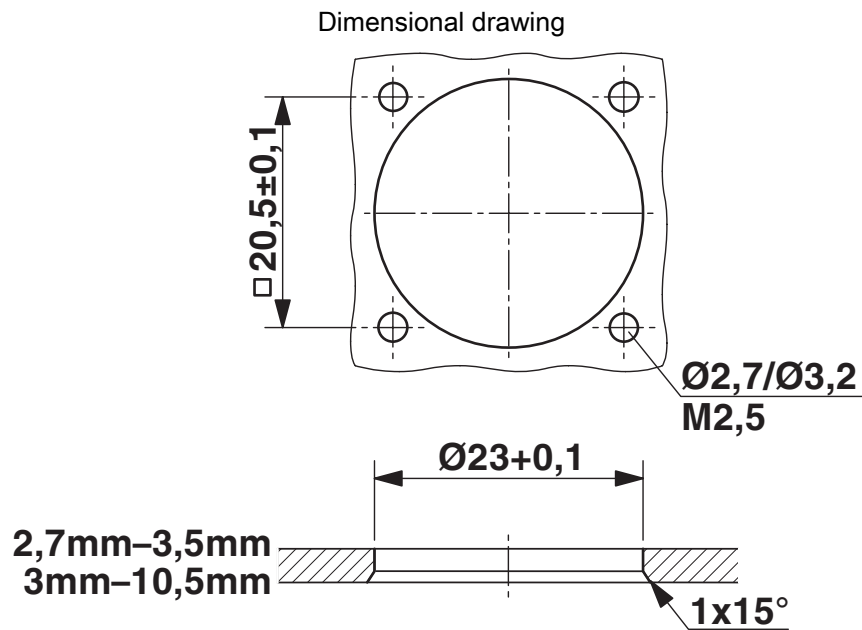
1241567

<https://www.phoenixcontact.com/us/products/1241567>

## Drawings



Dimensional drawing



Installation dimensions

# RC-19S1NP24300X - Device connector rear mounting



1241567

<https://www.phoenixcontact.com/us/products/1241567>

## Approvals

To download certificates, visit the product detail page: <https://www.phoenixcontact.com/us/products/1241567>



**EAC**

Approval ID: 19060508

1241567

<https://www.phoenixcontact.com/us/products/1241567>

## Classifications

### ECLASS

ECLASS-13.0	27440109
ECLASS-15.0	27440109

### ETIM

ETIM 10.0	EC003569
-----------	----------

1241567

<https://www.phoenixcontact.com/us/products/1241567>

## Environmental product compliance

### EU RoHS

Fulfills EU RoHS substance requirements	Yes, No exemptions
---	--------------------

### China RoHS

Environment friendly use period (EFUP)	EFUP-E
	No hazardous substances above the limits

### EU REACH SVHC

REACH candidate substance (CAS No.)	No substance above 0.1 wt%
-------------------------------------	----------------------------

Phoenix Contact 2026 © - all rights reserved  
<https://www.phoenixcontact.com>

Phoenix Contact USA  
586 Fulling Mill Road  
Middletown, PA 17057, United States  
(+717) 944-1300  
[info@phoenixcon.com](mailto:info@phoenixcon.com)