

RC-12S1N8AH000X - Device connector rear mounting



1241068

<https://www.phoenixcontact.com/us/products/1241068>

Please be informed that the data shown in this PDF document is generated from our online catalog. Please find the complete data in the user documentation. Our general terms of use for downloads are valid.



M23, Device connector rear mounting, application: Signal, series: RC, straight, shielded: yes, Screw locking mechanism, No. of pos.: 12, Direction of rotation: Standard, contact connection type: Socket, Crimp connection, Axial O-ring, Panel thickness min.: 0.8 mm, Panel thickness max.: 6.5 mm, coding: N, Item is lead-free in accordance with RoHS II without Exemption 6c (Pb < 0.1 %)

The figure shows the product with assembled crimp contacts. Please order crimp contacts separately.

Commercial data

Item number	1241068
Packing unit	24 pc
Minimum order quantity	1 pc
Product key	ABRAFR
GTIN	4063151449650
Weight per piece (including packing)	58.73 g
Weight per piece (excluding packing)	52.83 g
Country of origin	DE

RC-12S1N8AH000X - Device connector rear mounting



1241068

<https://www.phoenixcontact.com/us/products/1241068>

Technical data

Notes

Order information:	Order crimp contacts Ø 1 mm separately
--------------------	----------------------------------------

Product properties

Product type	Circular connectors (device side)
Thread type	M23

Material specifications

Flammability rating according to UL 94	V0
----------------------------------------	----

Connection data

Conductor connection

Connection method	Solder connection
-------------------	-------------------

Connector

Insulating body

Note	Order information: Order crimp contacts Ø 1 mm separately
Coding	N
Material (Insulating body)	PA 6.6
Connection method	Crimp connection
Contact switching type	Socket
Application	Signal
Number of positions	12
Direction of rotation	Standard
Connection profile	12
Number (Contact group 1)	12
Contact diameter (Contact group 1)	1 mm
Rated current Contact (Contact group 1)	8 A (for max. connection cross section)
Rated voltage Contact (Contact group 1)	48 V AC 74 V DC
Rated surge voltage	1.5 kV
Overvoltage category	III
Degree of pollution	3

Housing

Type	Feed-through header
Thread type	M23
Design	straight
Type of locking	Screw locking mechanism
Pg screw connection	none
Mounting type	Rear mounting (M25 x 1,5)

RC-12S1N8AH000X - Device connector rear mounting



1241068

<https://www.phoenixcontact.com/us/products/1241068>

Assembly note	Central fastening
Material (Housing)	GD-Zn
Material (Housing surface)	Ni
Material (Rotating parts)	CuZn
Degree of protection (plugged in)	IP67
Seal for the device	Axial O-ring

Environmental and real-life conditions

Ambient conditions

Degree of protection	IP67
Permissible humidity (storage/transport)	50 % ... 65 %

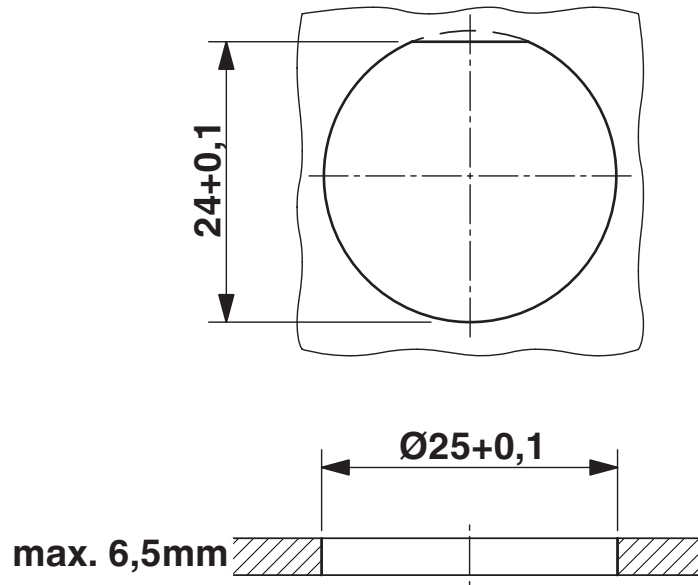
RC-12S1N8AH000X - Device connector rear mounting

1241068

<https://www.phoenixcontact.com/us/products/1241068>

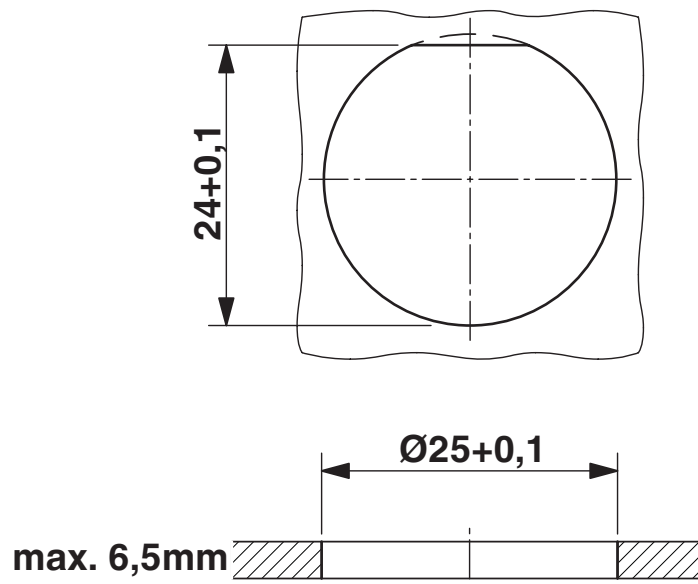
Drawings

Dimensional drawing



Installation dimensions

Dimensional drawing



Installation dimensions

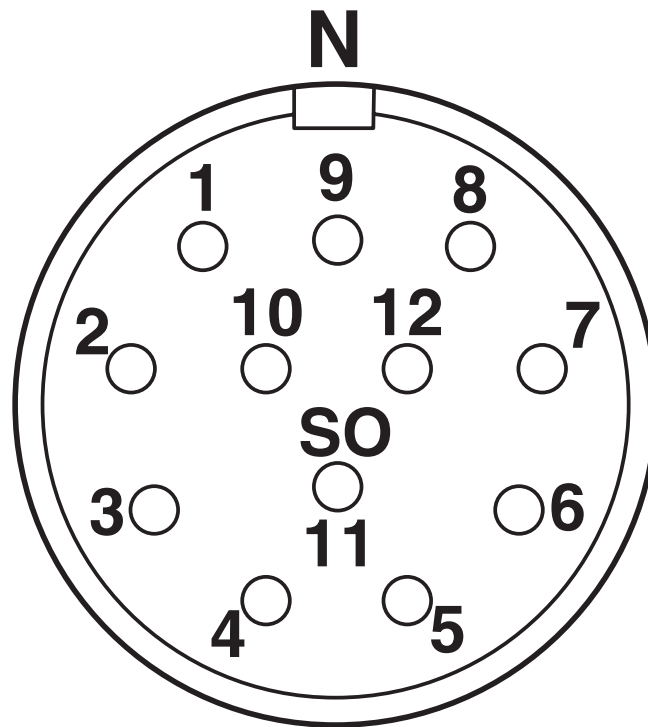
RC-12S1N8AH000X - Device connector rear mounting



1241068

<https://www.phoenixcontact.com/us/products/1241068>

Schematic diagram



Connector pin assignment

RC-12S1N8AH000X - Device connector rear mounting



1241068

<https://www.phoenixcontact.com/us/products/1241068>

Classifications

ETIM

ETIM 9.0

EC003569

RC-12S1N8AH000X - Device connector rear mounting



1241068

<https://www.phoenixcontact.com/us/products/1241068>

Environmental product compliance

EU RoHS

Fulfills EU RoHS substance requirements	Yes, No exemptions
-----------------------------------------	--------------------

China RoHS

Environment friendly use period (EFUP)	EFUP-E
	No hazardous substances above the limits

EU REACH SVHC

REACH candidate substance (CAS No.)	No substance above 0.1 wt%
-------------------------------------	----------------------------

Phoenix Contact 2026 © - all rights reserved
<https://www.phoenixcontact.com>

Phoenix Contact USA
586 Fulling Mill Road
Middletown, PA 17057, United States
(+717) 944-1300
info@phoenixcon.com