

RC-12P1NC24100X - Device connector rear mounting



1240869

<https://www.phoenixcontact.com/us/products/1240869>

Please be informed that the data shown in this PDF document is generated from our online catalog. Please find the complete data in the user documentation. Our general terms of use for downloads are valid.



M23, Device connector rear mounting, application: Signal, series: RC, straight, Screw locking mechanism, No. of pos.: 12, Direction of rotation: Standard, contact connection type: Pin, Solder-in connection, Flat gasket, Panel thickness min.: 2.7 mm, Panel thickness max.: 3.5 mm, coding: N, Item is lead-free in accordance with RoHS II without Exemption 6c (Pb < 0.1 %)

Commercial data

Item number	1240869
Packing unit	20 pc
Minimum order quantity	1 pc
Product key	ABRAFR
GTIN	4063151440206
Weight per piece (including packing)	38.17 g
Weight per piece (excluding packing)	33.64 g
Country of origin	DE

RC-12P1NC24100X - Device connector rear mounting



1240869

<https://www.phoenixcontact.com/us/products/1240869>

Technical data

Product properties

Product type	Circular connectors (device side)
Thread type	M23

Material specifications

Flammability rating according to UL 94	V0
Housing material	Metal

Connection data

Conductor connection

Connection method	Solder connection
-------------------	-------------------

Connector

Insulating body

Coding	N
Material (Insulating body)	PBT
Material (Contact)	CuZn
Material (Contact surface)	Ni/Au
Insertion/withdrawal cycles	50
Connection method	Solder-in connection
Contact switching type	Pin
Application	Signal
Number of positions	12
Direction of rotation	Standard
Connection profile	12
Number (Contact group 1)	12
Contact diameter (Contact group 1)	1 mm
Rated current Contact (Contact group 1)	8 A (for max. connection cross section)
Rated voltage Contact (Contact group 1)	48 V AC 74 V DC
Rated surge voltage	1.5 kV
Overvoltage category	III
Degree of pollution	3

Housing

Type	Flange housing
Thread type	M23
Design	straight
Type of locking	Screw locking mechanism
Pg screw connection	none
Mounting type	Rear mounting/square flange (4x M3)

RC-12P1NC24100X - Device connector rear mounting



1240869

<https://www.phoenixcontact.com/us/products/1240869>

Material (Housing)	Metal
Degree of protection (plugged in)	IP67
Seal for the device	Flat gasket

Environmental and real-life conditions

Ambient conditions

Degree of protection	IP67
----------------------	------

RC-12P1NC24100X - Device connector rear mounting

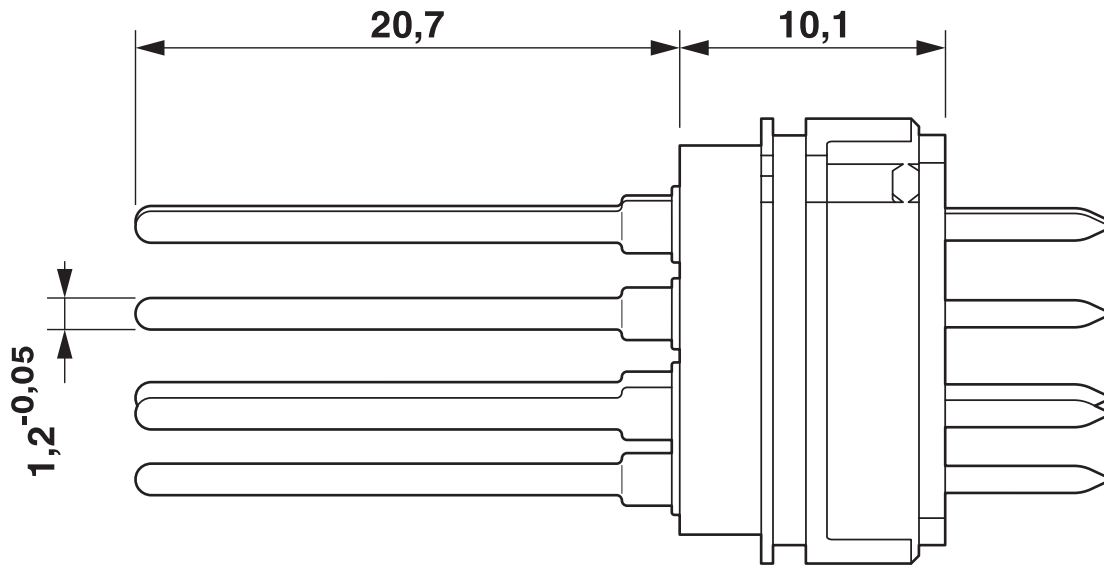


1240869

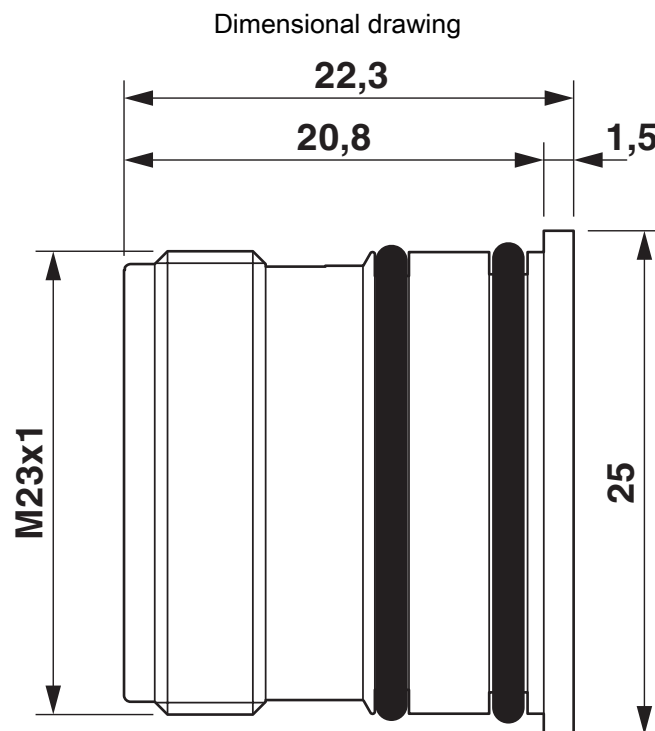
<https://www.phoenixcontact.com/us/products/1240869>

Drawings

Dimensional drawing



Dimensional drawing



Installation dimensions

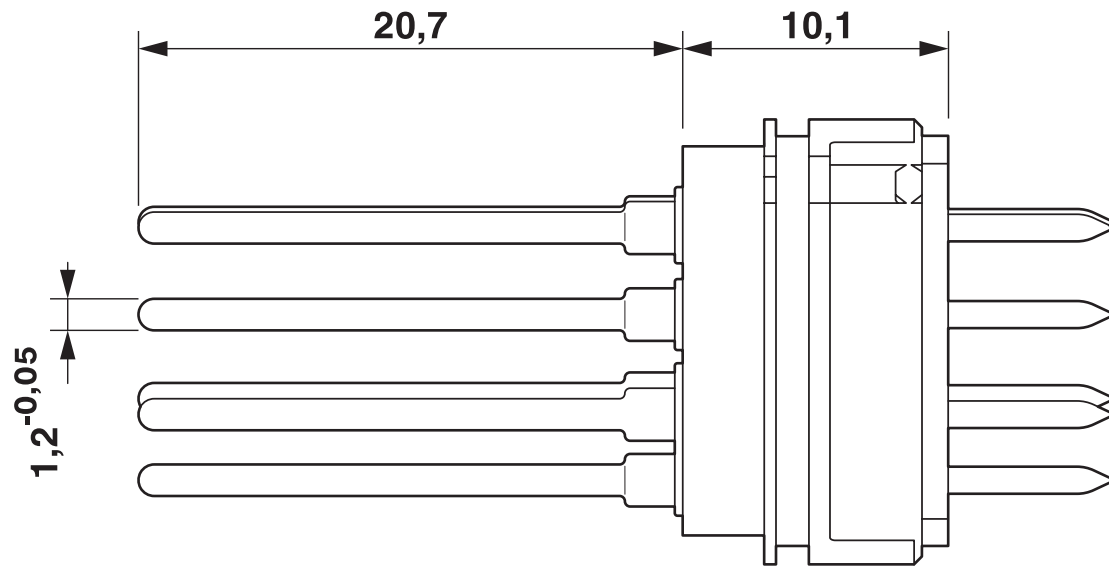
RC-12P1NC24100X - Device connector rear mounting



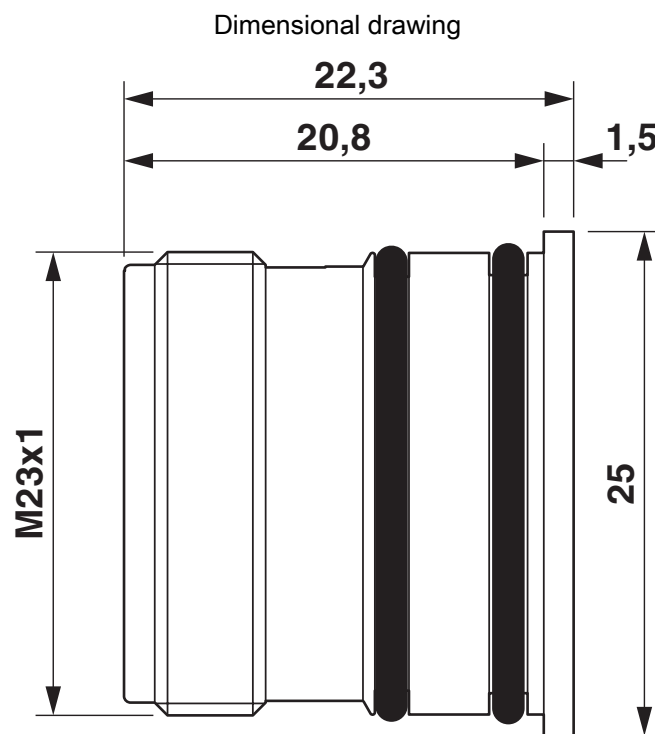
1240869

<https://www.phoenixcontact.com/us/products/1240869>

Dimensional drawing



Dimensional drawing



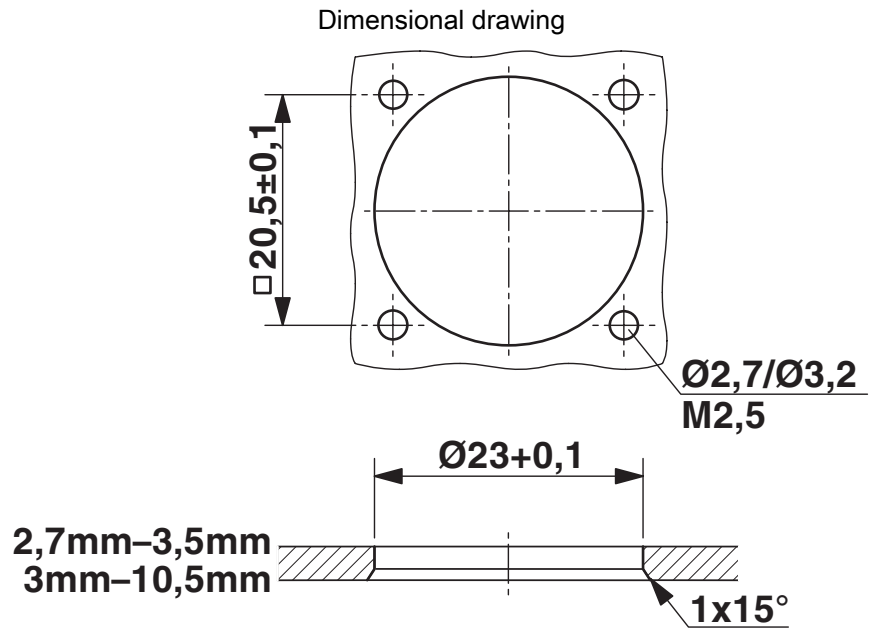
Dimensional drawing

RC-12P1NC24100X - Device connector rear mounting



1240869

<https://www.phoenixcontact.com/us/products/1240869>



Installation dimensions

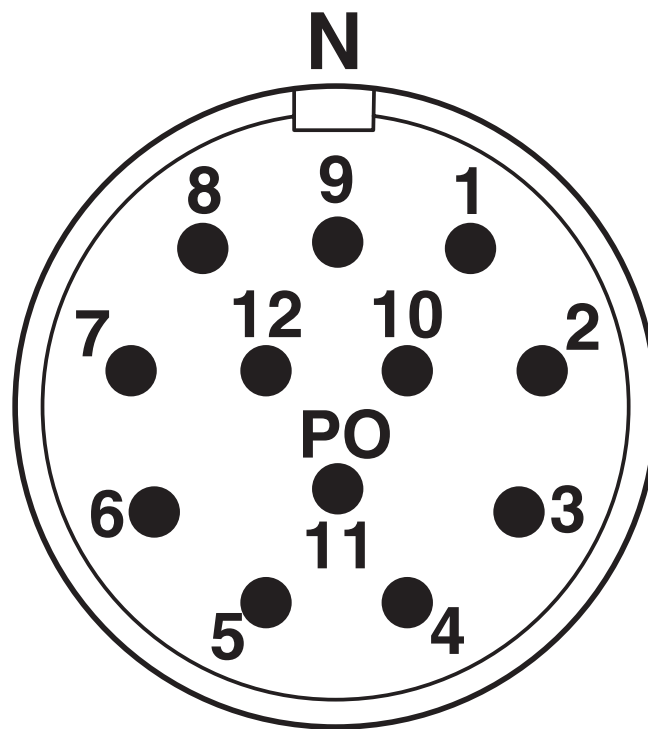
RC-12P1NC24100X - Device connector rear mounting



1240869

<https://www.phoenixcontact.com/us/products/1240869>

Schematic diagram



Connector pin assignment

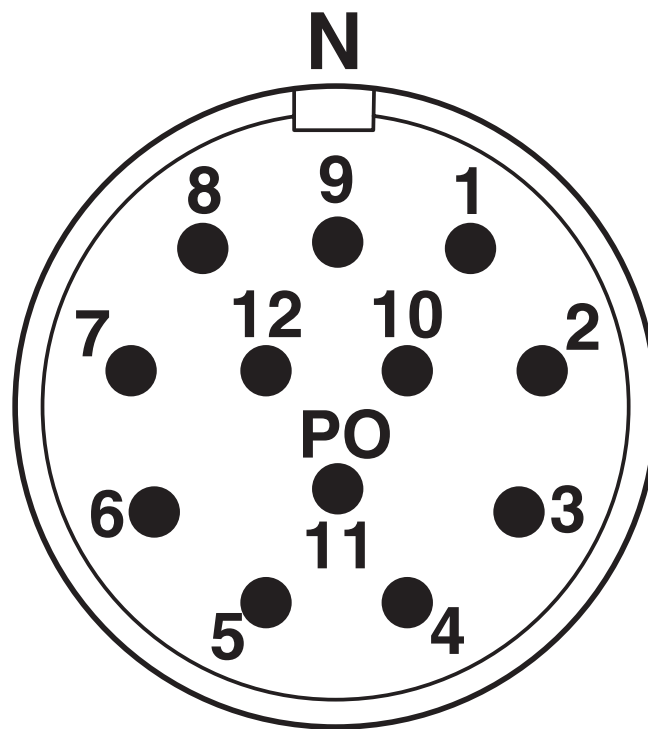
RC-12P1NC24100X - Device connector rear mounting



1240869

<https://www.phoenixcontact.com/us/products/1240869>

Schematic diagram



Connector pin assignment

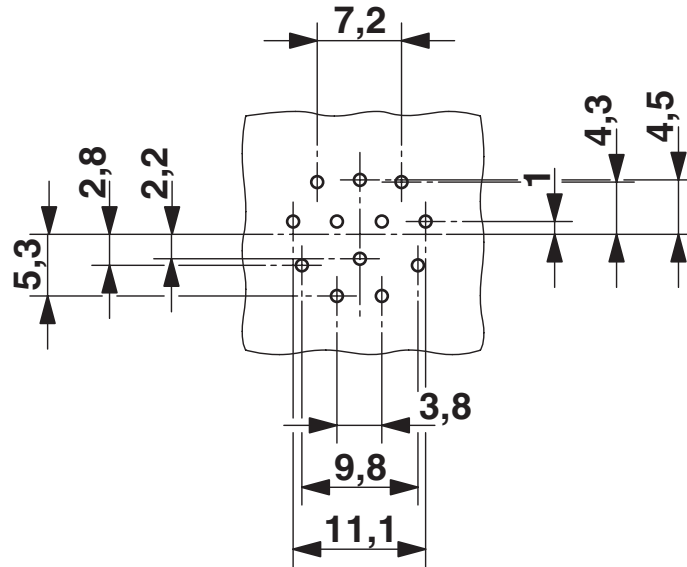
RC-12P1NC24100X - Device connector rear mounting

1240869

<https://www.phoenixcontact.com/us/products/1240869>



Drilling plan/solder pad geometry



RC-12P1NC24100X - Device connector rear mounting



1240869

<https://www.phoenixcontact.com/us/products/1240869>

Classifications

ETIM

ETIM 9.0

EC003569

RC-12P1NC24100X - Device connector rear mounting



1240869

<https://www.phoenixcontact.com/us/products/1240869>

Environmental product compliance

EU RoHS

Fulfills EU RoHS substance requirements	Yes, No exemptions
---	--------------------

China RoHS

Environment friendly use period (EFUP)	EFUP-E
	No hazardous substances above the limits

EU REACH SVHC

REACH candidate substance (CAS No.)	No substance above 0.1 wt%
-------------------------------------	----------------------------

Phoenix Contact 2026 © - all rights reserved
<https://www.phoenixcontact.com>

Phoenix Contact USA
586 Fulling Mill Road
Middletown, PA 17057, United States
(+717) 944-1300
info@phoenixcon.com