

RC-12P1N8A6100X - Device connector front mounting



1240840

<https://www.phoenixcontact.com/us/products/1240840>

Please be informed that the data shown in this PDF document is generated from our online catalog. Please find the complete data in the user documentation. Our general terms of use for downloads are valid.



M23, Device connector front mounting, application: Signal, series: RC, straight, shielded: yes, Screw locking mechanism, No. of pos.: 12, Direction of rotation: Standard, contact connection type: Pin, Crimp connection, Axial O-ring, Panel thickness min.: 0.8 mm, Panel thickness max.: 6.5 mm, coding: N, Item is lead-free in accordance with RoHS II without Exemption 6c (Pb < 0.1 %)

The figure shows the product with assembled crimp contacts. Please order crimp contacts separately.

Commercial data

Item number	1240840
Packing unit	40 pc
Minimum order quantity	40 pc
Product key	ABRAFL
GTIN	4063151452469
Weight per piece (including packing)	33.25 g
Weight per piece (excluding packing)	30.32 g
Country of origin	DE

1240840

<https://www.phoenixcontact.com/us/products/1240840>

Technical data

Notes

Order information:	Order crimp contacts Ø 1 mm separately
--------------------	--

Product properties

Product type	Circular connectors (device side)
--------------	-----------------------------------

Connector

Insulating body

Note	Order information: Order crimp contacts Ø 1 mm separately
Coding	N
Material (Insulating body)	PA 6.6
Connection method	Crimp connection
Contact switching type	Pin
Application	Signal
Number of positions	12
Direction of rotation	Standard
Connection profile	12
Number (Contact group 1)	12
Contact diameter (Contact group 1)	1 mm
Rated current Contact (Contact group 1)	8 A (for max. connection cross section)
Rated voltage Contact (Contact group 1)	48 V AC 74 V DC
Rated surge voltage	1.5 kV
Overvoltage category	III
Degree of pollution	3

Housing

Order information:	Order contact inserts separately
Type	Feed-through header
Thread type	M23
Design	straight
Type of locking	Screw locking mechanism
Pg screw connection	none
Mounting type	Front mounting (M20 x 1,5)
Assembly note	Central fastening
Material (Housing)	GD-Zn
Material (Housing surface)	Ni
Material (Rotating parts)	CuZn
Degree of protection (plugged in)	IP67
Seal for the device	Axial O-ring

1240840

<https://www.phoenixcontact.com/us/products/1240840>

Environmental and real-life conditions

Ambient conditions

Permissible humidity (storage/transport)
--

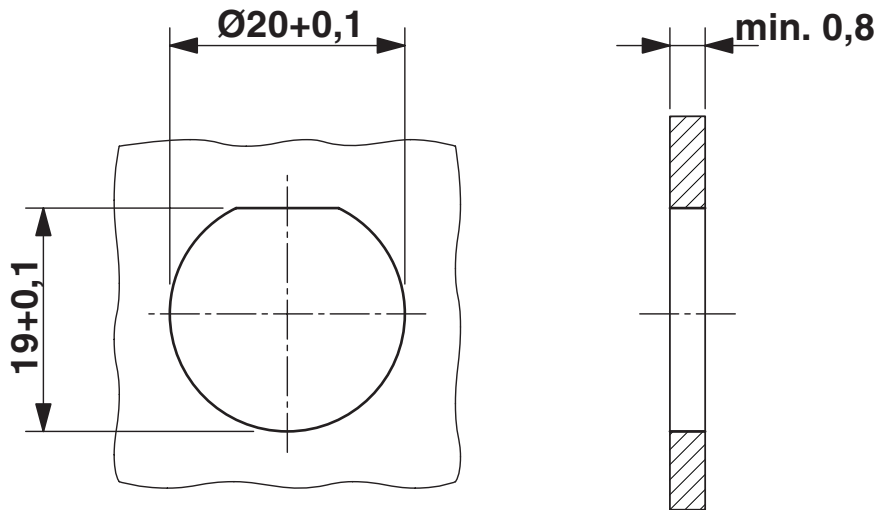
50 % ... 65 %

1240840

<https://www.phoenixcontact.com/us/products/1240840>

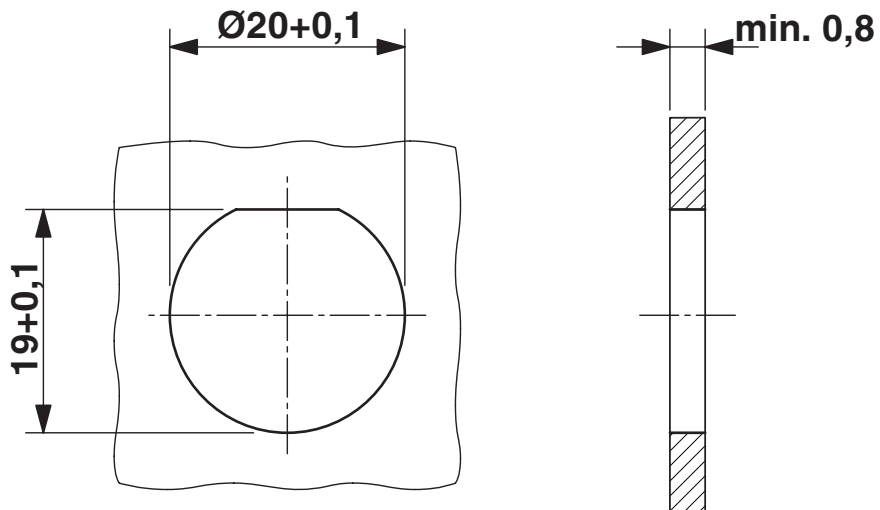
Drawings

Dimensional drawing



Installation dimensions

Dimensional drawing



Installation dimensions

RC-12P1N8A6100X - Device connector front mounting



1240840

<https://www.phoenixcontact.com/us/products/1240840>

Schematic diagram



Connector pin assignment

RC-12P1N8A6100X - Device connector front mounting



1240840

<https://www.phoenixcontact.com/us/products/1240840>

Classifications

ETIM

ETIM 9.0

EC002635

RC-12P1N8A6100X - Device connector front mounting



1240840

<https://www.phoenixcontact.com/us/products/1240840>

Environmental product compliance

EU RoHS

Fulfills EU RoHS substance requirements	Yes, No exemptions
---	--------------------

China RoHS

Environment friendly use period (EFUP)	EFUP-E
	No hazardous substances above the limits

EU REACH SVHC

REACH candidate substance (CAS No.)	No substance above 0.1 wt%
-------------------------------------	----------------------------

Phoenix Contact 2026 © - all rights reserved
<https://www.phoenixcontact.com>

Phoenix Contact USA
586 Fulling Mill Road
Middletown, PA 17057, United States
(+717) 944-1300
info@phoenixcon.com