

# RC-09P1N126100X - Device connector front mounting



1240566

<https://www.phoenixcontact.com/us/products/1240566>

Please be informed that the data shown in this PDF document is generated from our online catalog. Please find the complete data in the user documentation. Our general terms of use for downloads are valid.



The figure shows the 12-pos.  
product version

M23, Device connector front mounting, application: Signal, series: RC, straight, shielded: yes, Screw locking mechanism, No. of pos.: 8+1, Direction of rotation: Standard, contact connection type: Pin, Solder cup, Axial O-ring, Panel thickness min.: 0.8 mm, Panel thickness max.: 6.5 mm, coding: N, Item is lead-free in accordance with RoHS II without Exemption 6c (Pb < 0.1 %)

## Commercial data

|                                      |               |
|--------------------------------------|---------------|
| Item number                          | 1240566       |
| Packing unit                         | 40 pc         |
| Minimum order quantity               | 1 pc          |
| Product key                          | ABRAFL        |
| GTIN                                 | 4063151451479 |
| Weight per piece (including packing) | 38.75 g       |
| Weight per piece (excluding packing) | 35.102 g      |
| Country of origin                    | DE            |

# RC-09P1N126100X - Device connector front mounting



1240566

<https://www.phoenixcontact.com/us/products/1240566>

## Technical data

### Product properties

|              |                                   |
|--------------|-----------------------------------|
| Product type | Circular connectors (device side) |
|--------------|-----------------------------------|

### Connector

#### Insulating body

|   |  |
|---|--|
| Coding  | N  |
| Material (Insulating body)                      | PBT                                      |
| Material (Contact)                              | CuZn                                     |
| Material (Contact surface)                      | Ni/Au                                    |
| Insertion/withdrawal cycles                     | 50                                       |
| Connection method                               | Solder cup                               |
| Contact switching type                          | Pin                                      |
| Application                                     | Signal                                   |
| Number of positions                             | 9  |
| Direction of rotation                           | Standard                                 |
| Connection profile                              | 8+1                                      |
| Number (Contact group 1)                        | 1  |
| Contact diameter (Contact group 1)              | 2 mm                                     |
| Litz wires Min. cross section (Contact group 1) | 0.08 mm <sup>2</sup>                     |
| Litz wires Max. cross section (Contact group 1) | 2.5 mm <sup>2</sup>                      |
| Rated current Contact (Contact group 1)         | 20 A (for max. connection cross section) |
| Rated voltage Contact (Contact group 1)         | 48 V AC<br>74 V DC                       |
| Rated surge voltage                             | 1.5 kV                                   |
| Overvoltage category                            | III                                      |
| Degree of pollution                             | 3  |
| Number (Contact group 2)                        | 8  |
| Contact diameter (Contact group 2)              | 1 mm                                     |
| Litz wires Max. cross section (Contact group 2) | 1 mm <sup>2</sup>                        |
| Rated current Contact (Contact group 2)         | 8 A                                      |
| Rated voltage Contact (Contact group 2)         | 48 V AC<br>48 V AC                       |

#### Housing

|                     |                                  |
|---------------------|----------------------------------|
| Order information:  | Order contact inserts separately |
| Type                | Feed-through header              |
| Thread type         | M23                              |
| Design              | straight                         |
| Type of locking     | Screw locking mechanism          |
| Pg screw connection | none                             |
| Mounting type       | Front mounting (M20 x 1,5)       |

# RC-09P1N126100X - Device connector front mounting



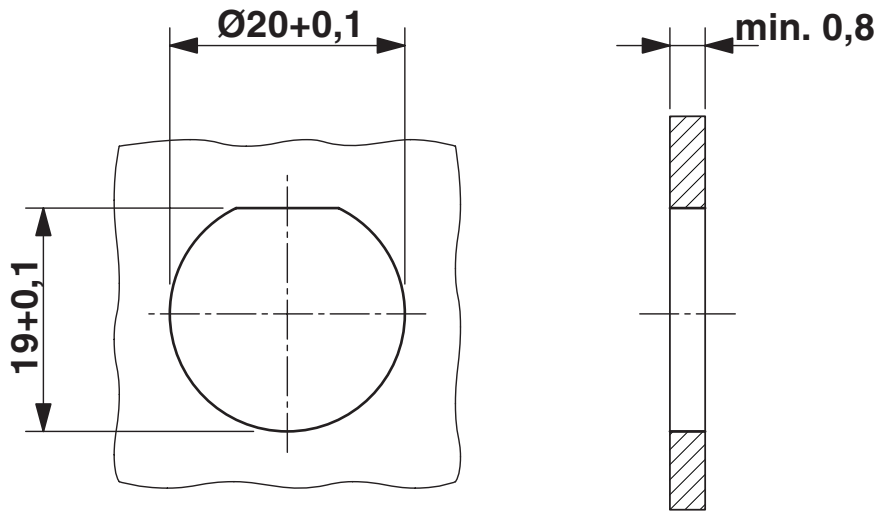
1240566

<https://www.phoenixcontact.com/us/products/1240566>

|                                   |                   |
|-----------------------------------|-------------------|
| Assembly note                     | Central fastening |
| Material (Housing)                | GD-Zn             |
| Material (Housing surface)        | Ni                |
| Material (Rotating parts)         | CuZn              |
| Degree of protection (plugged in) | IP67              |
| Seal for the device               | Axial O-ring      |

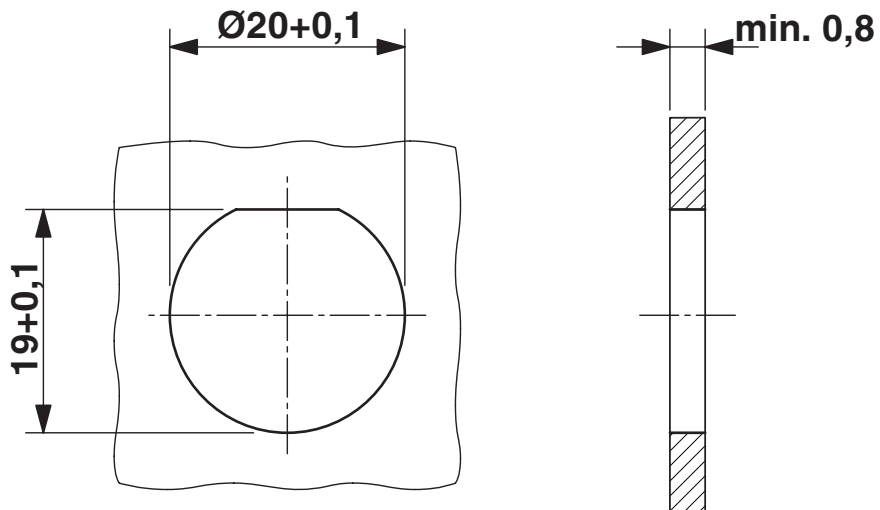
Drawings

Dimensional drawing



Installation dimensions

Dimensional drawing



Installation dimensions

1240566

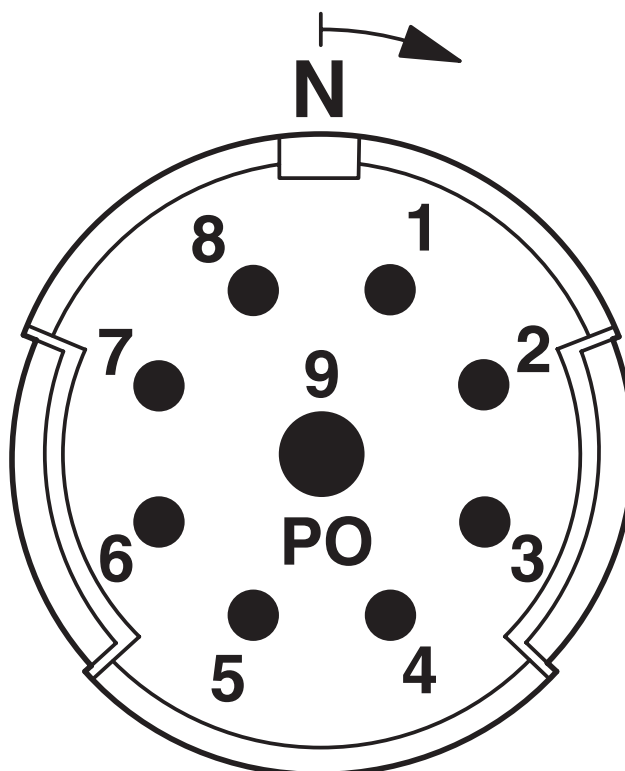
<https://www.phoenixcontact.com/us/products/1240566>

Schematic diagram



Connector pin assignment

Schematic diagram



Connector pin assignment

# RC-09P1N126100X - Device connector front mounting



1240566

<https://www.phoenixcontact.com/us/products/1240566>

Schematic diagram



Dimensional drawing

# RC-09P1N126100X - Device connector front mounting



1240566

<https://www.phoenixcontact.com/us/products/1240566>

## Classifications

### ETIM

ETIM 9.0

EC002635

1240566

<https://www.phoenixcontact.com/us/products/1240566>

## Environmental product compliance

### EU RoHS

|   |                    |
|---|--------------------|
| Fulfills EU RoHS substance requirements | Yes, No exemptions |
|---|--------------------|

### China RoHS

|  |  |
|--|--|
| Environment friendly use period (EFUP) | EFUP-E                                   |
|  | No hazardous substances above the limits |

### EU REACH SVHC

|                                     |                            |
|-------------------------------------|----------------------------|
| REACH candidate substance (CAS No.) | No substance above 0.1 wt% |
|-------------------------------------|----------------------------|

Phoenix Contact 2026 © - all rights reserved  
<https://www.phoenixcontact.com>

Phoenix Contact USA  
586 Fulling Mill Road  
Middletown, PA 17057, United States  
(+717) 944-1300  
[info@phoenixcon.com](mailto:info@phoenixcon.com)