

RC-09P1N124000X - Device connector front mounting



1240562

<https://www.phoenixcontact.com/us/products/1240562>

Please be informed that the data shown in this PDF document is generated from our online catalog. Please find the complete data in the user documentation. Our general terms of use for downloads are valid.



The figure shows the 12-pos.
product version

M23, Device connector front mounting, application: Signal, series: RC, straight, Screw locking mechanism, No. of pos.: 8+1, Direction of rotation: Standard, contact connection type: Pin, Solder cup, Flat gasket, coding: N, Item is lead-free in accordance with RoHS II without Exemption 6c (Pb < 0.1 %)

Commercial data

Item number	1240562
Packing unit	40 pc
Minimum order quantity	1 pc
Product key	ABRAFL
GTIN	4063151451639
Weight per piece (including packing)	34.532 g
Weight per piece (excluding packing)	31.912 g
Country of origin	DE

1240562

<https://www.phoenixcontact.com/us/products/1240562>

Technical data

Product properties

Product type	Circular connectors (device side)
Thread type	M23

Material specifications

Flammability rating according to UL 94	V0
--	----

Connection data

Conductor connection

Connection method	Solder connection
-------------------	-------------------

Connector

Insulating body

Coding	N
Material (Insulating body)	PBT
Material (Contact)	CuZn
Material (Contact surface)	Ni/Au
Insertion/withdrawal cycles	50
Connection method	Solder cup
Contact switching type	Pin
Application	Signal
Number of positions	9
Direction of rotation	Standard
Connection profile	8+1
Number (Contact group 1)	1
Contact diameter (Contact group 1)	2 mm
Litz wires Min. cross section (Contact group 1)	0.08 mm ²
Litz wires Max. cross section (Contact group 1)	2.5 mm ²
Rated current Contact (Contact group 1)	20 A (for max. connection cross section)
Rated voltage Contact (Contact group 1)	48 V AC 74 V DC
Rated surge voltage	1.5 kV
Overvoltage category	III
Degree of pollution	3
Number (Contact group 2)	8
Contact diameter (Contact group 2)	1 mm
Litz wires Max. cross section (Contact group 2)	1 mm ²
Rated current Contact (Contact group 2)	8 A
Rated voltage Contact (Contact group 2)	48 V AC 48 V AC

RC-09P1N124000X - Device connector front mounting



1240562

<https://www.phoenixcontact.com/us/products/1240562>

Housing

Type	Flange housing
Thread type	M23
Design	straight
Type of locking	Screw locking mechanism
Pg screw connection	none
Mounting type	Rear mounting/square flange (4x M2,5)
Material (Housing)	Metal
Degree of protection (plugged in)	IP67
Seal for the device	Flat gasket

Environmental and real-life conditions

Ambient conditions

Degree of protection	IP67
----------------------	------

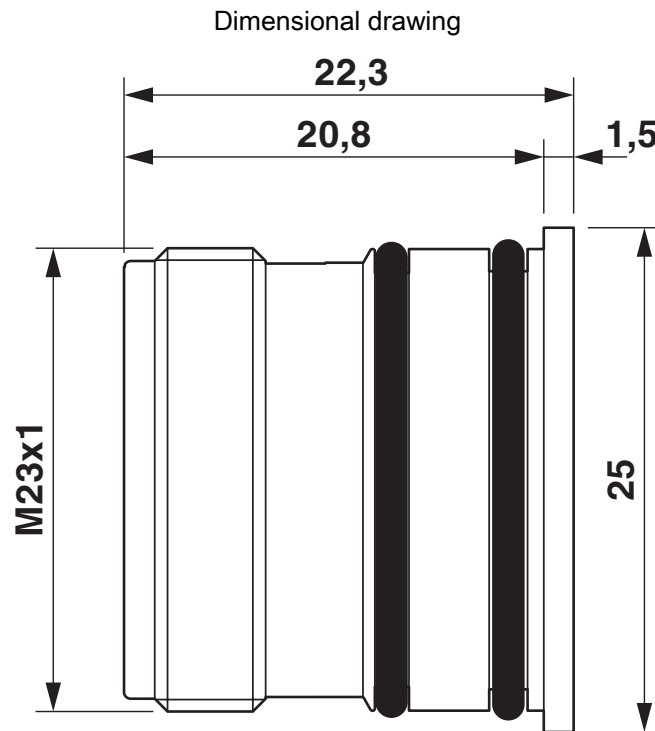
RC-09P1N124000X - Device connector front mounting



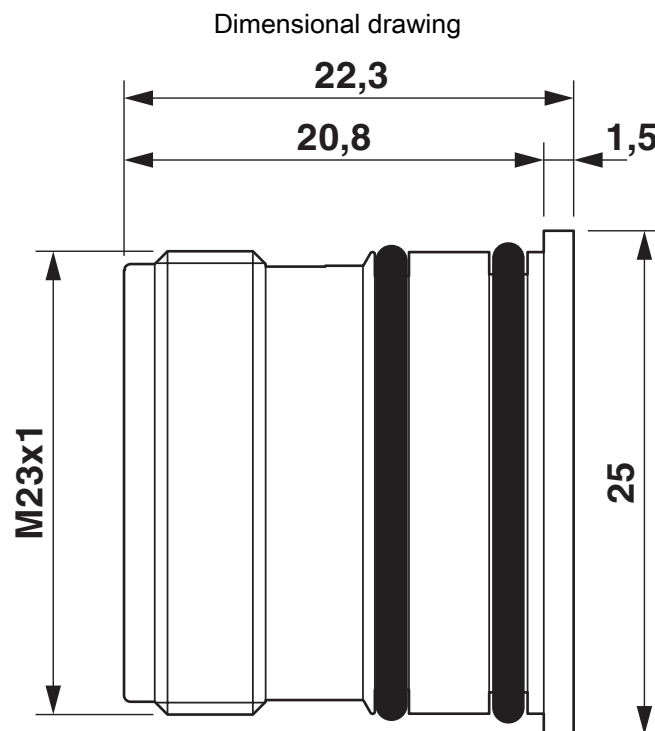
1240562

<https://www.phoenixcontact.com/us/products/1240562>

Drawings



Installation dimensions



Dimensional drawing

RC-09P1N124000X - Device connector front mounting



1240562

<https://www.phoenixcontact.com/us/products/1240562>

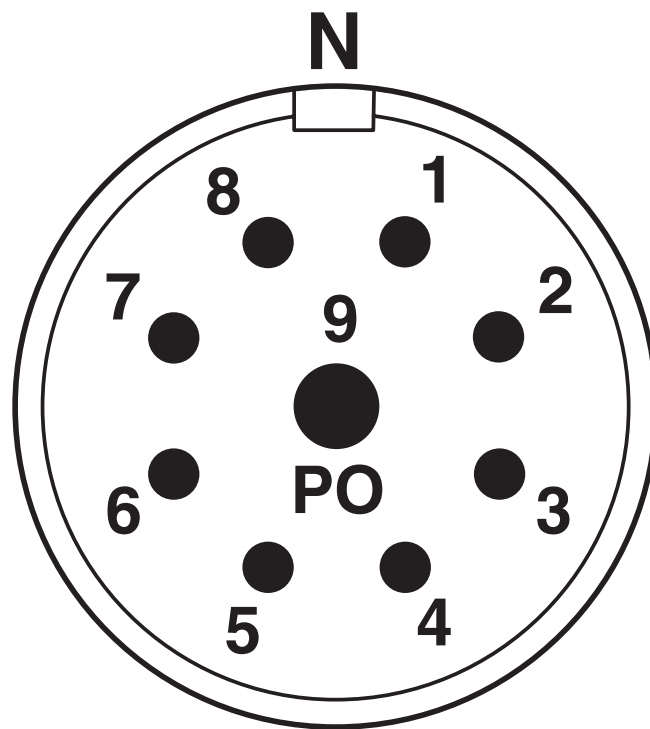


Installation dimensions

1240562

<https://www.phoenixcontact.com/us/products/1240562>

Schematic diagram

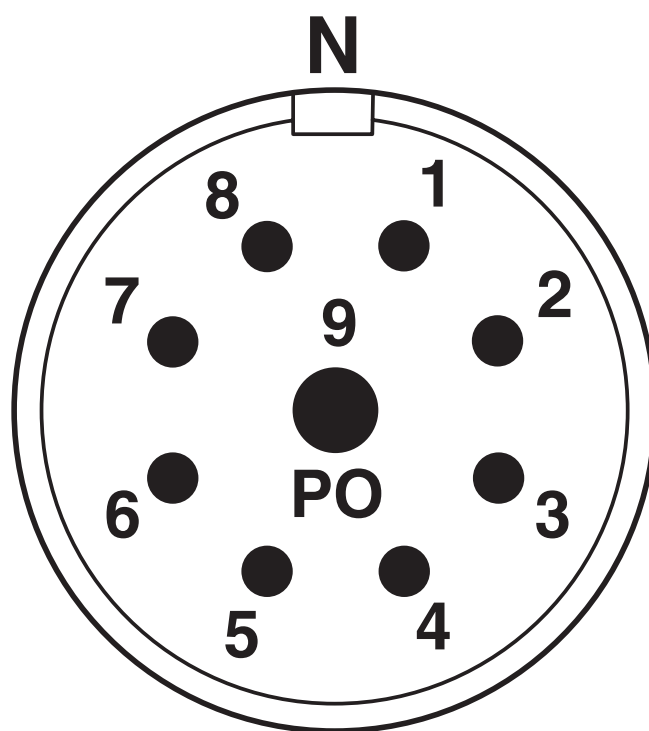


Connector pin assignment

1240562

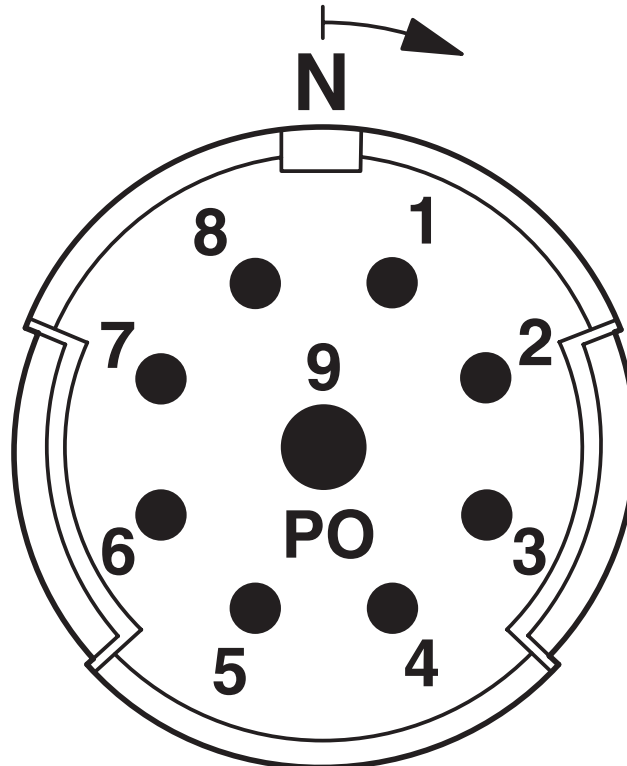
<https://www.phoenixcontact.com/us/products/1240562>

Schematic diagram



Connector pin assignment

Schematic diagram



Connector pin assignment

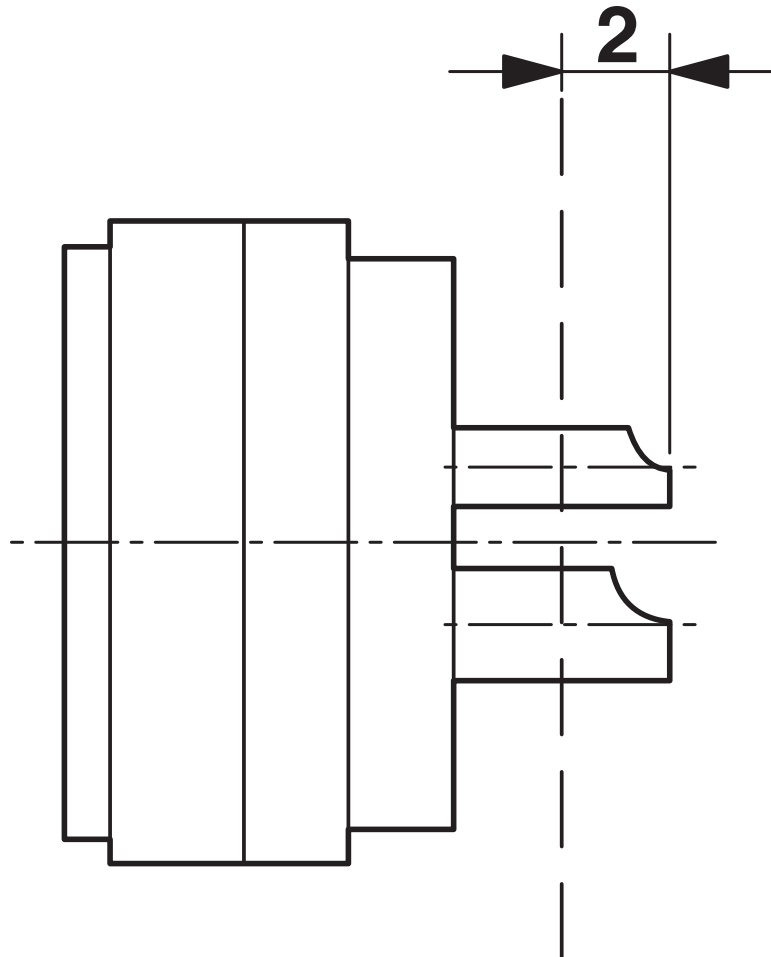
RC-09P1N124000X - Device connector front mounting



1240562

<https://www.phoenixcontact.com/us/products/1240562>

Schematic diagram



Dimensional drawing

RC-09P1N124000X - Device connector front mounting



1240562

<https://www.phoenixcontact.com/us/products/1240562>

Classifications

ETIM

ETIM 9.0

EC003569

RC-09P1N124000X - Device connector front mounting



1240562

<https://www.phoenixcontact.com/us/products/1240562>

Environmental product compliance

EU RoHS

Fulfills EU RoHS substance requirements	Yes, No exemptions
---	--------------------

China RoHS

Environment friendly use period (EFUP)	EFUP-E
	No hazardous substances above the limits

EU REACH SVHC

REACH candidate substance (CAS No.)	No substance above 0.1 wt%
-------------------------------------	----------------------------

Phoenix Contact 2026 © - all rights reserved
<https://www.phoenixcontact.com>

Phoenix Contact USA
586 Fulling Mill Road
Middletown, PA 17057, United States
(+717) 944-1300
info@phoenixcon.com