

# RC-07S1NC24100X - Device connector rear mounting



1240545

<https://www.phoenixcontact.com/us/products/1240545>

Please be informed that the data shown in this PDF document is generated from our online catalog. Please find the complete data in the user documentation. Our general terms of use for downloads are valid.



Device connector rear mounting, Screw locking mechanism, M23, connection method: Solder connection, Item is lead-free in accordance with RoHS II without Exemption 6c (Pb < 0.1 %)

## Commercial data

Item number	1240545
Packing unit	20 pc
Minimum order quantity	1 pc
Product key	ABRAFR
GTIN	4063151435646
Weight per piece (including packing)	34.22 g
Weight per piece (excluding packing)	32.701 g
Country of origin	DE

1240545

<https://www.phoenixcontact.com/us/products/1240545>

## Technical data

### Product properties

Product type	Circular connectors (device side)
Thread type	M23

### Material specifications

Flammability rating according to UL 94	V0
--	----

### Connection data

#### Conductor connection

Connection method	Solder connection
-------------------	-------------------

### Connector

#### Insulating body

Coding	N
Connection method	Solder-in connection
Contact switching type	Socket
Application	Signal
Number of positions	7
Direction of rotation	Standard
Connection profile	7
Rated surge voltage	1.5 kV
Overvoltage category	III

#### Housing

Type	Flange housing
Thread type	M23
Design	straight
Type of locking	Screw locking mechanism
Pg screw connection	none
Mounting type	Rear mounting/square flange (4x M3)
Material (Housing)	Metal
Degree of protection (plugged in)	IP67
Seal for the device	Flat gasket

### Environmental and real-life conditions

#### Ambient conditions

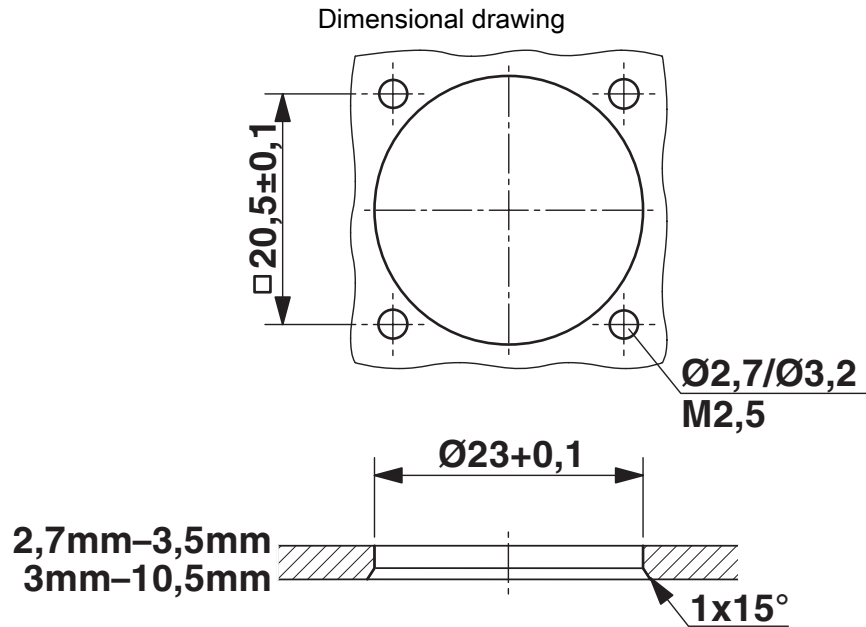
Degree of protection	IP67
----------------------	------

# RC-07S1NC24100X - Device connector rear mounting

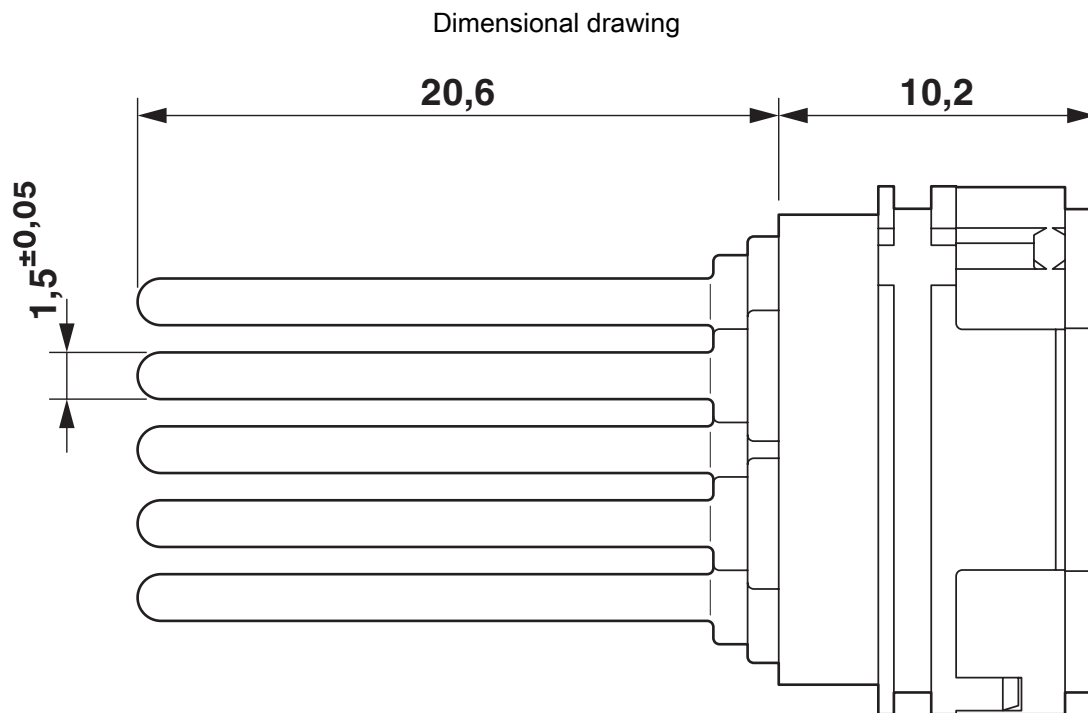
1240545

<https://www.phoenixcontact.com/us/products/1240545>

## Drawings



## Installation dimensions

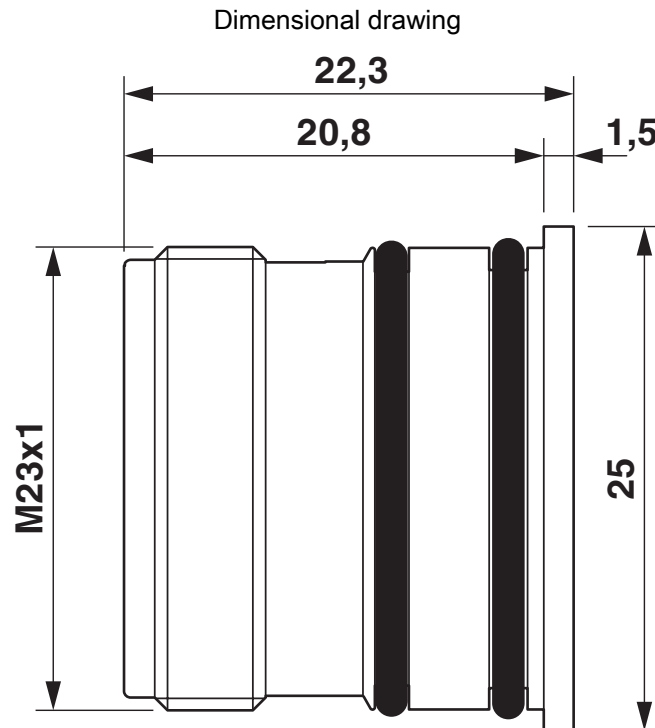


## Dimensional drawing

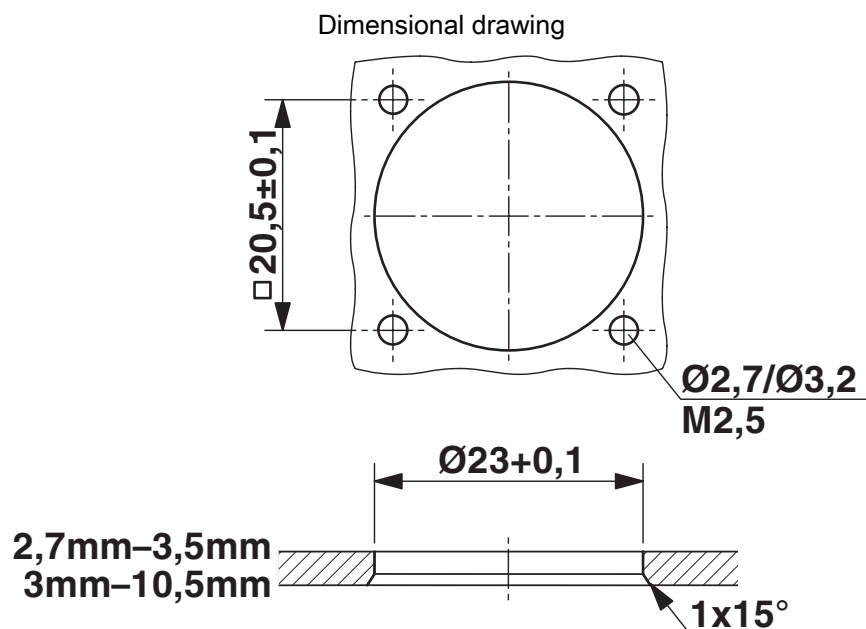
# RC-07S1NC24100X - Device connector rear mounting

1240545

<https://www.phoenixcontact.com/us/products/1240545>



Dimensional drawing

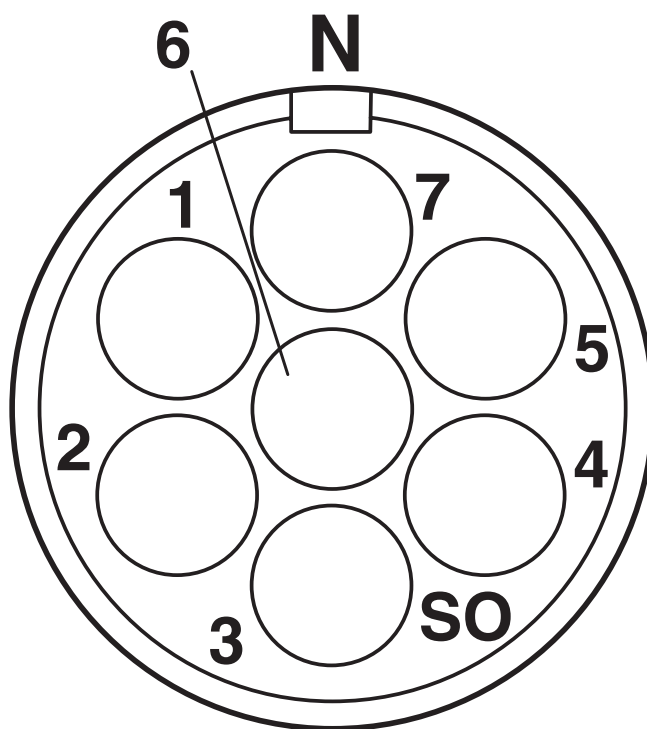


Installation dimensions

1240545

<https://www.phoenixcontact.com/us/products/1240545>

Schematic diagram

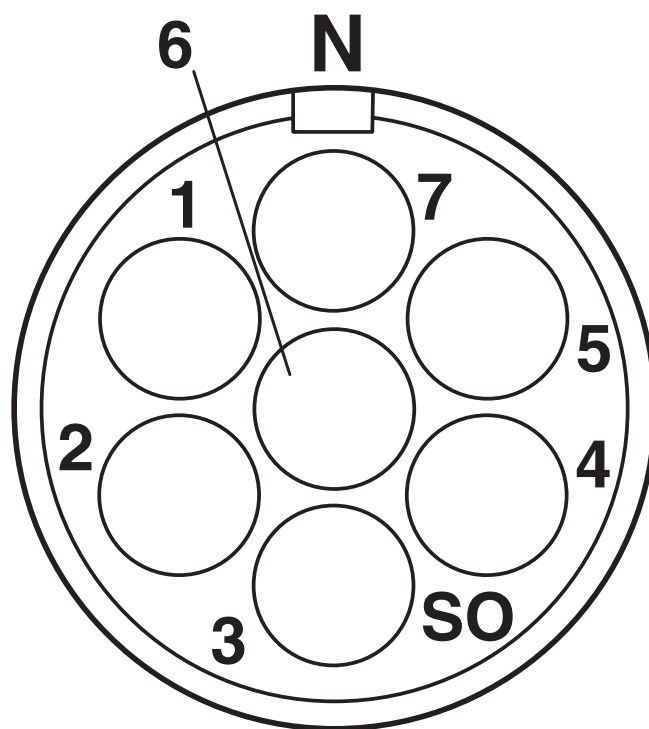


Connector pin assignment

1240545

<https://www.phoenixcontact.com/us/products/1240545>

Schematic diagram



Connector pin assignment

# RC-07S1NC24100X - Device connector rear mounting



1240545

<https://www.phoenixcontact.com/us/products/1240545>

## Classifications

### ETIM

ETIM 9.0

EC003569

# RC-07S1NC24100X - Device connector rear mounting



1240545

<https://www.phoenixcontact.com/us/products/1240545>

## Environmental product compliance

### EU RoHS

Fulfills EU RoHS substance requirements	Yes, No exemptions
---	--------------------

### China RoHS

Environment friendly use period (EFUP)	EFUP-E
	No hazardous substances above the limits

### EU REACH SVHC

REACH candidate substance (CAS No.)	No substance above 0.1 wt%
-------------------------------------	----------------------------

Phoenix Contact 2026 © - all rights reserved  
<https://www.phoenixcontact.com>

Phoenix Contact USA  
586 Fulling Mill Road  
Middletown, PA 17057, United States  
(+717) 944-1300  
[info@phoenixcon.com](mailto:info@phoenixcon.com)