

RC-0000000H000X - Housing for circular connector



1240287

<https://www.phoenixcontact.com/us/products/1240287>

Please be informed that the data shown in this PDF document is generated from our online catalog. Please find the complete data in the user documentation. Our general terms of use for downloads are valid.



Housing for circular connector, series: RC, straight, Screw locking mechanism, M23, Axial O-ring, Central fastening M25 x 1.5, shielded: yes, Item is lead-free in accordance with RoHS II without Exemption 6c (Pb < 0.1 %)

Commercial data

Item number	1240287
Packing unit	24 pc
Minimum order quantity	24 pc
Product key	ABRAFS
GTIN	4063151450229
Weight per piece (including packing)	54.94 g
Weight per piece (excluding packing)	50.25 g
Country of origin	DE

RC-0000000H000X - Housing for circular connector



1240287

<https://www.phoenixcontact.com/us/products/1240287>

Technical data

Product properties

Product type	Circular connector housing
Series	RC
Application	Signal
Shielded	yes
Thread type	M23

Material specifications

Housing material	Metal
------------------	-------

Connector

Type	straight
------	----------

Environmental and real-life conditions

Ambient conditions

Degree of protection	IP67
Ambient temperature (operation)	-20 °C ... 125 °C
Altitude	2000 m

Mounting

Mounting	Central fastening M25 x 1.5
----------	-----------------------------

RC-0000000H000X - Housing for circular connector

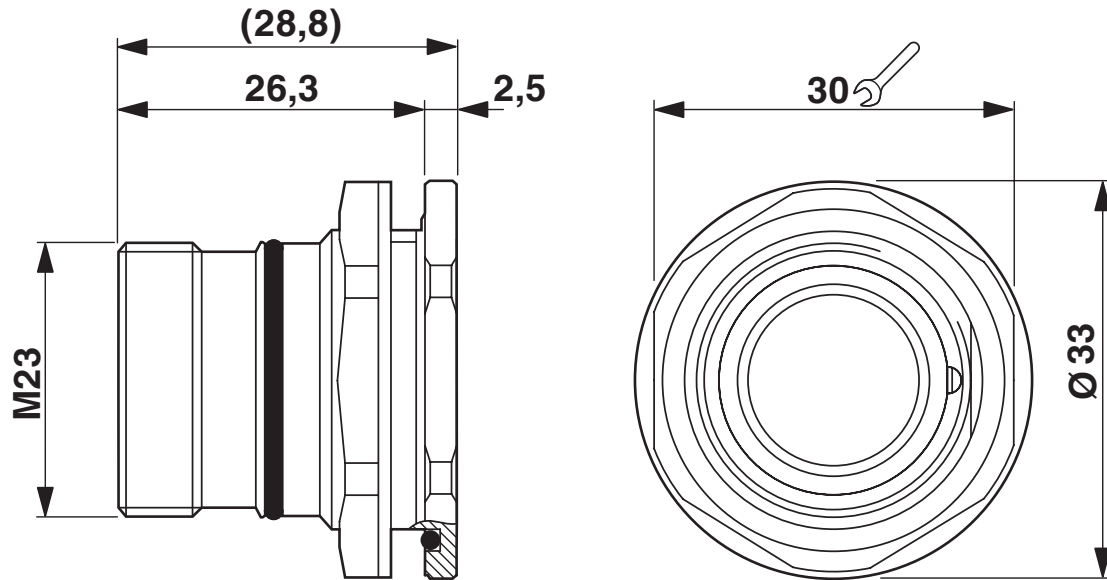


1240287

<https://www.phoenixcontact.com/us/products/1240287>

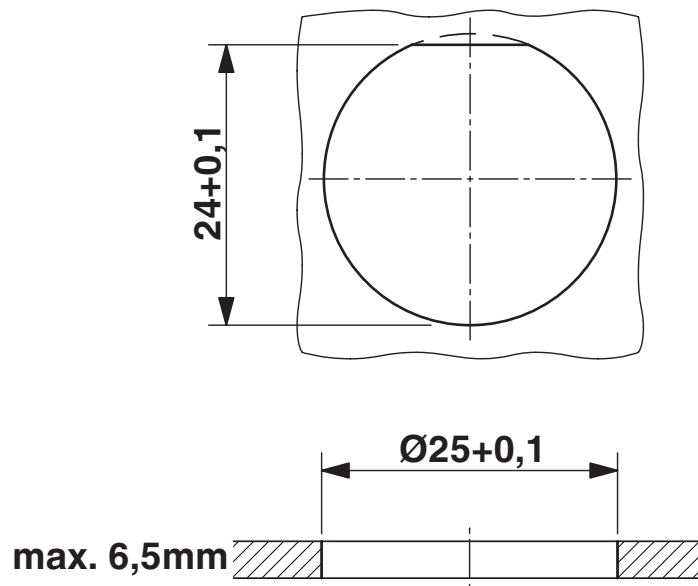
Drawings

Dimensional drawing



Dimensional drawing

Dimensional drawing



Installation dimensions

RC-0000000H000X - Housing for circular connector



1240287

<https://www.phoenixcontact.com/us/products/1240287>

Classifications

ECLASS

ECLASS-13.0

27440224

ETIM

ETIM 9.0

EC003556

RC-0000000H000X - Housing for circular connector



1240287

<https://www.phoenixcontact.com/us/products/1240287>

Environmental product compliance

EU RoHS

Fulfills EU RoHS substance requirements	Yes, No exemptions
---	--------------------

China RoHS

Environment friendly use period (EFUP)	EFUP-E
	No hazardous substances above the limits

EU REACH SVHC

REACH candidate substance (CAS No.)	No substance above 0.1 wt%
-------------------------------------	----------------------------

Phoenix Contact 2026 © - all rights reserved
<https://www.phoenixcontact.com>

Phoenix Contact USA
586 Fulling Mill Road
Middletown, PA 17057, United States
(+717) 944-1300
info@phoenixcon.com