

HC-26P1N1280DUX - Cable connector



1240137

<https://www.phoenixcontact.com/us/products/1240137>

Please be informed that the data shown in this PDF document is generated from our online catalog. Please find the complete data in the user documentation. Our general terms of use for downloads are valid.



Cable connector, application: Signal, straight, Screw locking mechanism, M27, number of positions: 26, contact connection type: Pin, shielded: yes, degree of protection: IP67, cable diameter range: 2 mm ... 14.5 mm, number of positions: 26, connection method: Solder cup, series: HC, Item is lead-free in accordance with RoHS II without Exemption 6c (Pb < 0.1 %)

Commercial data

Item number	1240137
Packing unit	12 pc
Minimum order quantity	1 pc
Product key	ABRAJA
GTIN	4063151430245
Weight per piece (including packing)	99.63 g
Weight per piece (excluding packing)	88.039 g
Country of origin	DE

HC-26P1N1280DUX - Cable connector



1240137

<https://www.phoenixcontact.com/us/products/1240137>

Technical data

Product properties

Product type	Circular connector (cable-side)
Series	HC
Application	Signal
Number of positions	26
Connection profile	26
Shielded	yes
Coding	N
Thread type	M27

Material specifications

Material Housing	Metal
Seal material	FPM or NBR or EPDM

Connection data

Conductor connection

Connection method	Solder cup
-------------------	------------

Electrical properties

Contact

Contact diameter	1 mm
Min. cross section	0.08 mm ²
Max. cross section	1 mm ²
Nominal current I _N	8 A
Nominal voltage U _N	48 V AC
	74 V DC
Overvoltage category	III
Degree of pollution	3
Rated surge voltage	1.5 kV

Mechanical properties

Mechanical data

Insertion/withdrawal cycles	50
-----------------------------	----

Connector

Type	straight
Direction of rotation	Standard

Connection 1

Head design	Pin
Head cable outlet	straight

HC-26P1N1280DUX - Cable connector



1240137

<https://www.phoenixcontact.com/us/products/1240137>

Head thread type	M27
------------------	-----

Cable/line

External cable diameter	2 mm ... 14.5 mm
-------------------------	------------------

Environmental and real-life conditions

Ambient conditions

Degree of protection	IP67 (When plugged in)
Ambient temperature (operation)	-20 °C ... 125 °C
Altitude	2000 m

HC-26P1N1280DUX - Cable connector

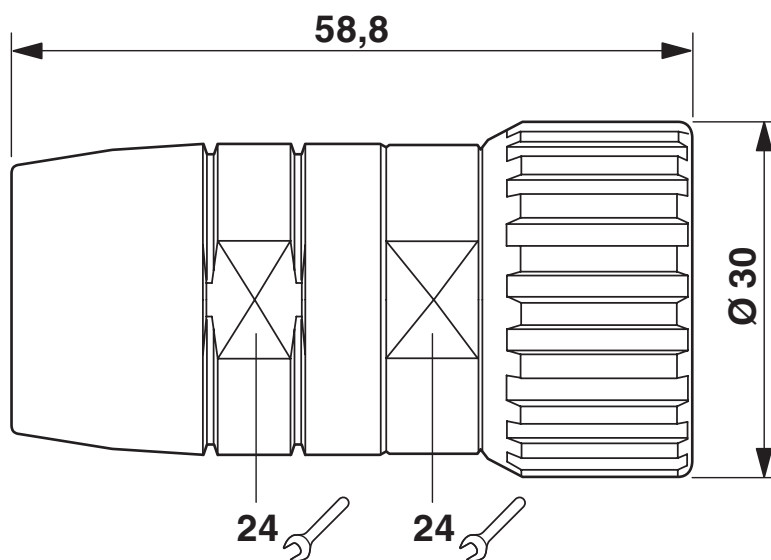


1240137

<https://www.phoenixcontact.com/us/products/1240137>

Drawings

Dimensional drawing



Dimensional drawing

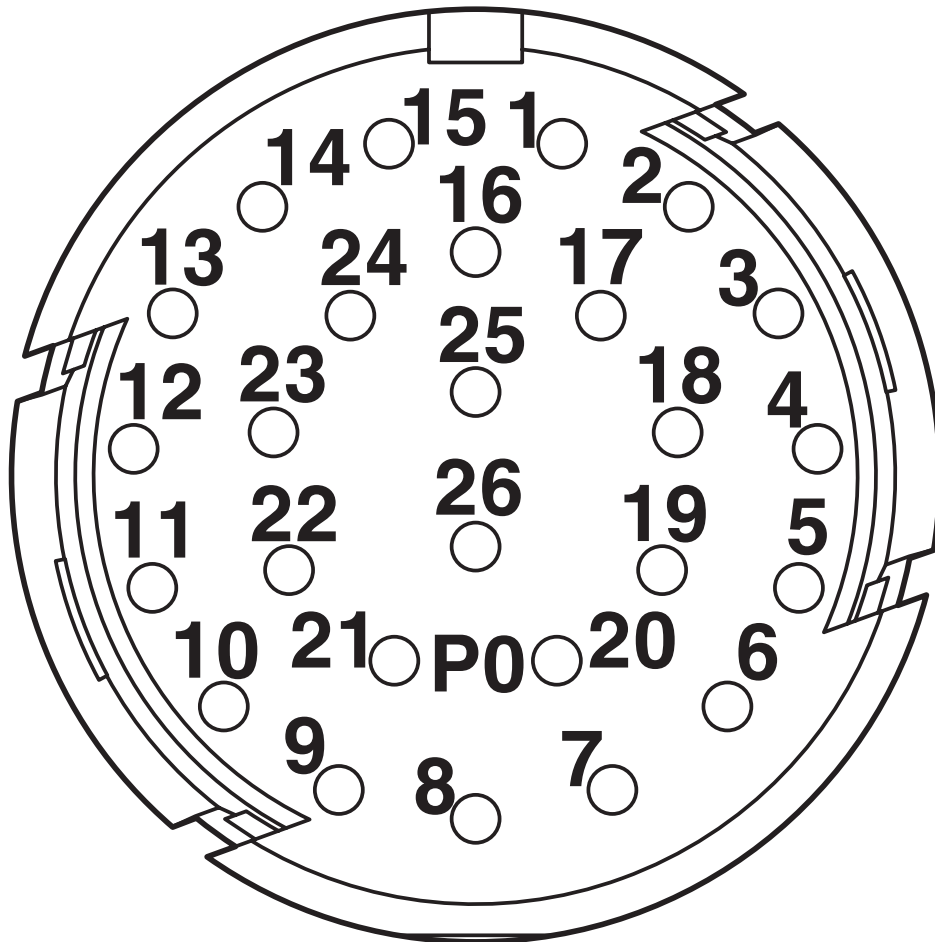
HC-26P1N1280DUX - Cable connector



1240137

<https://www.phoenixcontact.com/us/products/1240137>

Schematic diagram



Connector pin assignment

HC-26P1N1280DUX - Cable connector



1240137

<https://www.phoenixcontact.com/us/products/1240137>

Classifications

ECLASS

ECLASS-13.0	27440116
ECLASS-15.0	27440116

ETIM

ETIM 10.0	EC002635
-----------	----------

HC-26P1N1280DUX - Cable connector



1240137

<https://www.phoenixcontact.com/us/products/1240137>

Environmental product compliance

EU RoHS

Fulfills EU RoHS substance requirements	Yes, No exemptions
---	--------------------

China RoHS

Environment friendly use period (EFUP)	EFUP-E
	No hazardous substances above the limits

EU REACH SVHC

REACH candidate substance (CAS No.)	No substance above 0.1 wt%
-------------------------------------	----------------------------

Phoenix Contact 2026 © - all rights reserved
<https://www.phoenixcontact.com>

Phoenix Contact USA
586 Fulling Mill Road
Middletown, PA 17057, United States
(+717) 944-1300
info@phoenixcon.com