

# SF-7ES1N8AY000/VPE 20X - Device connector front mounting with knurled nut



1238440

<https://www.phoenixcontact.com/us/products/1238440>

Please be informed that the data shown in this PDF document is generated from our online catalog. Please find the complete data in the user documentation. Our general terms of use for downloads are valid.



Device connector front mounting with knurled nut, application: Power, straight, Screw locking mechanism, M23, number of positions: 4+3+PE, contact connection type: Socket, Axial O-ring, shielded: yes, flange dimensions: 26 mm x 26 mm, cable diameter range: 0 mm ... 0 mm, number of positions: 8, connection method: Crimp connection, series: SF, Item is lead-free in accordance with RoHS II without Exemption 6c (Pb < 0.1 %)

## Commercial data

Item number	1238440
Packing unit	20 pc
Minimum order quantity	20 pc
Product key	ABRBFN
GTIN	4063151432126
Weight per piece (including packing)	66.6 g
Weight per piece (excluding packing)	66.45 g
Country of origin	DE

# SF-7ES1N8AY000/VPE 20X - Device connector front mounting with knurled nut



1238440

<https://www.phoenixcontact.com/us/products/1238440>

## Technical data

### Notes

Order information:	Order crimp contacts 4 x Ø 1 mm, 4 x Ø 2 mm separately
--------------------	--

### Safety note

Safety note	WARNING: The connectors may not be plugged in or disconnected under load. Ignoring the warning or improper use may damage persons and/or property.
	• WARNING: Commission properly functioning products only. The products must be regularly inspected for damage. Decommission defective products immediately. Replace damaged products. Repairs are not possible.
	• WARNING: Only electrically qualified personnel may install and operate the product. They must observe the following safety notes. The qualified personnel must be familiar with the basics of electrical engineering. They must be able to recognize and prevent danger. The relevant symbol on the packaging indicates that only personnel familiar with electrical engineering are allowed to install and operate the product.
	• The products are suitable for applications in plant, controller, and electrical device engineering.
	• When operating the connectors in outdoor applications, they must be separately protected against environmental influences.
	• Assembled products may not be manipulated or improperly opened.
	• Only use mating connectors that are specified in the technical data of the standards listed (e.g. the ones listed in the product accessories online at <a href="https://www.phoenixcontact.com/products">phoenixcontact.com/products</a> ).
	• When using the product in direct connection with third-party manufacturers, the user is responsible.
	• For operating voltages > 50 V AC, conductive connector housings must be grounded
	• Ensure that the protective or functional ground has been properly connected.
	• VDE 0100/1.97 § 411.1.3.2 and DIN EN 60 204/11.98 § 14.1.3 are applicable when combining several circuits in a cable and/or connector
	• Only use tools recommended by Phoenix Contact
	• The installation notes/Design In documents online on the download page at <a href="https://www.phoenixcontact.com/products">phoenixcontact.com/products</a> must be observed for this product.
	• Operate the connector only when it is fully plugged in and interlocked.

# SF-7ES1N8AY000/VPE 20X - Device connector front mounting with knurled nut



1238440

<https://www.phoenixcontact.com/us/products/1238440>

ambient conditions, the surface of the connector can continue to warm up. In this case, the user is responsible for posting warnings (e.g. DIN EN ISO 13732-1:2008-12).

## Mounting

Mounting type	Front mounting/square flange (4x Ø 3.2 mm)
---------------	--

## Product properties

Product type	Circular connectors (device side)
Series	SF
Application	Power
Number of positions	8
Connection profile	4+3+PE
Shielded	yes
Coding	N
Thread type	M23

## Dimensions

### Housing

Flange dimensions	26 mm x 26 mm
-------------------	---------------

## Material specifications

Seal material	FPM
---------------	-----

## Electrical properties

### Contact: Contact group 1

Contact diameter	2 mm
Nominal current $I_N$	30 A
Nominal voltage $U_N$	630 V
Overvoltage category	III
Degree of pollution	3
Rated surge voltage	6 kV

### Contact: Contact group 2

Contact diameter	1 mm
Nominal current $I_N$	9 A
Nominal voltage $U_N$	250 V
Overvoltage category	III
Degree of pollution	3
Rated surge voltage	4 kV

## Connection data

### Conductor connection

# SF-7ES1N8AY000/VPE 20X - Device connector front mounting with knurled nut



1238440

<https://www.phoenixcontact.com/us/products/1238440>

Connection method	Crimp connection
Contact connection type	Socket

## Connector

Type	straight
------	----------

## Cable/line

External cable diameter	0 mm ... 0 mm
-------------------------	---------------

## Environmental and real-life conditions

### Ambient conditions

Degree of protection	IP67
Ambient temperature (operation)	-40 °C ... 125 °C
Altitude	3000 m
Permissible humidity (storage/transport)	50 % ... 65 %

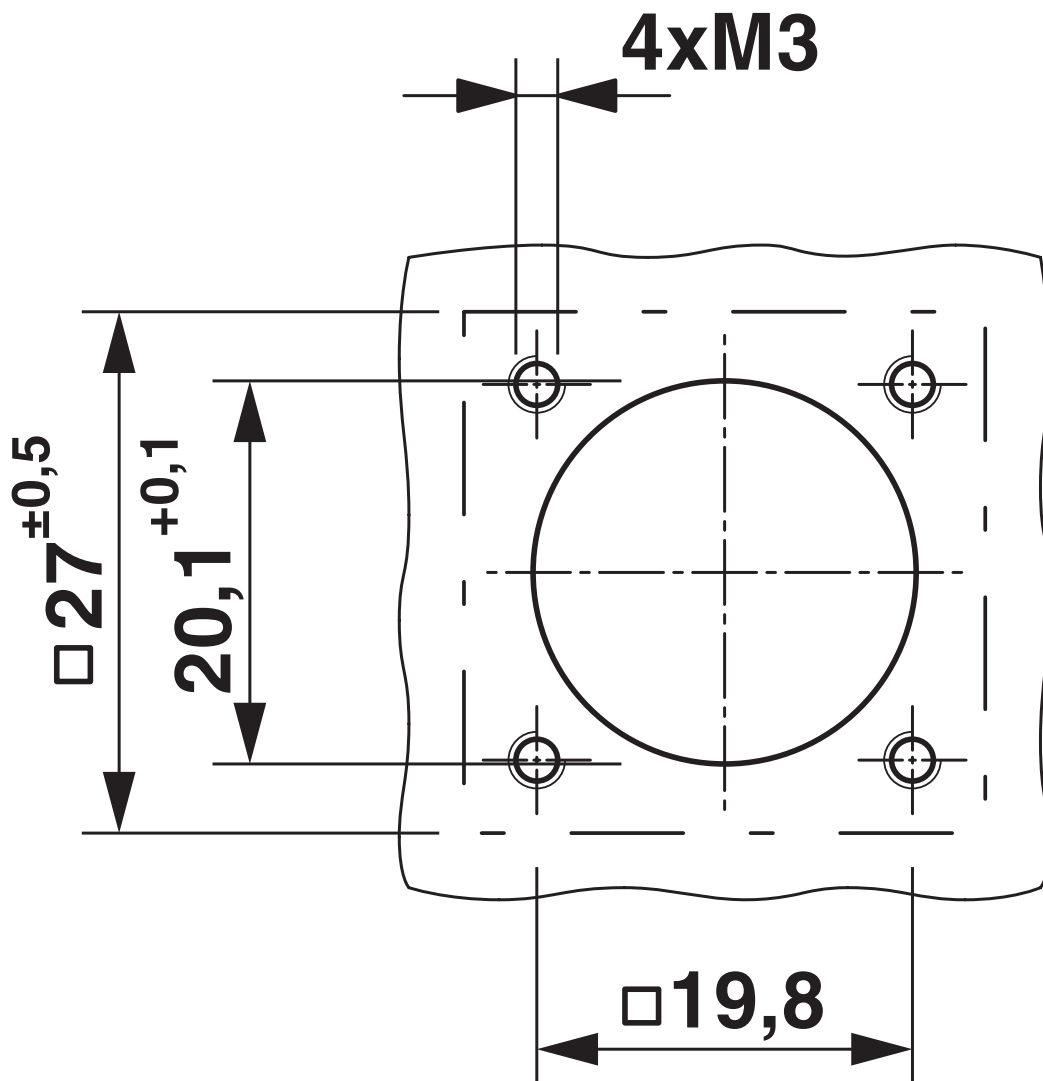
# SF-7ES1N8AY000/VPE 20X - Device connector front mounting with knurled nut

1238440

<https://www.phoenixcontact.com/us/products/1238440>

## Drawings

Dimensional drawing



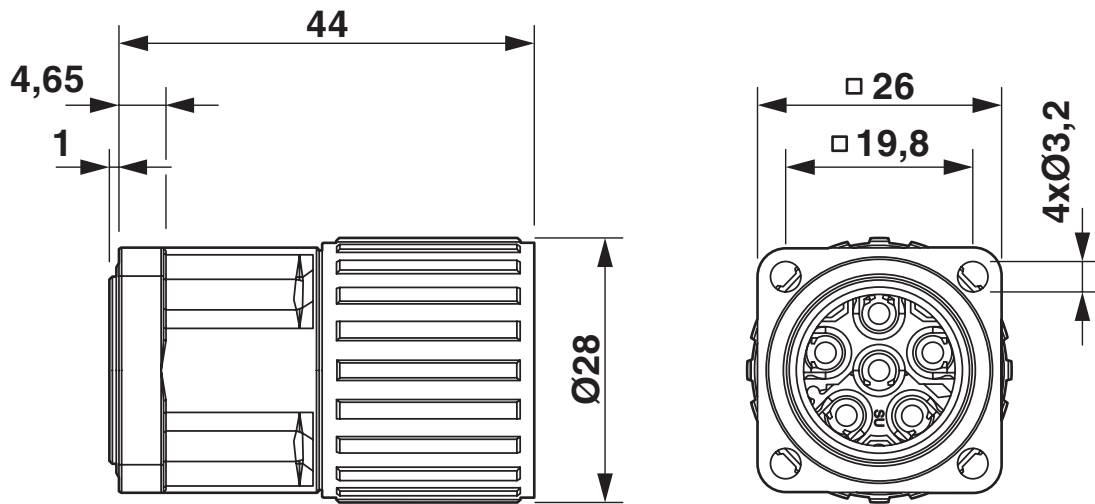
Installation dimensions

# SF-7ES1N8AY000/VPE 20X - Device connector front mounting with knurled nut

1238440

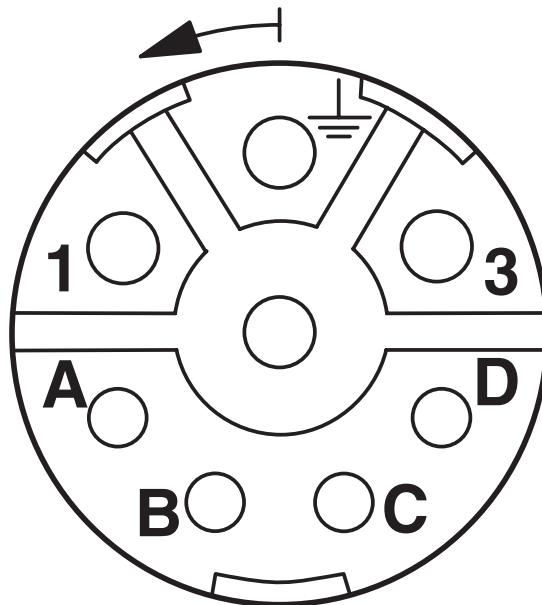
<https://www.phoenixcontact.com/us/products/1238440>

Dimensional drawing



Dimensional drawing

Schematic diagram



Connector pin assignment

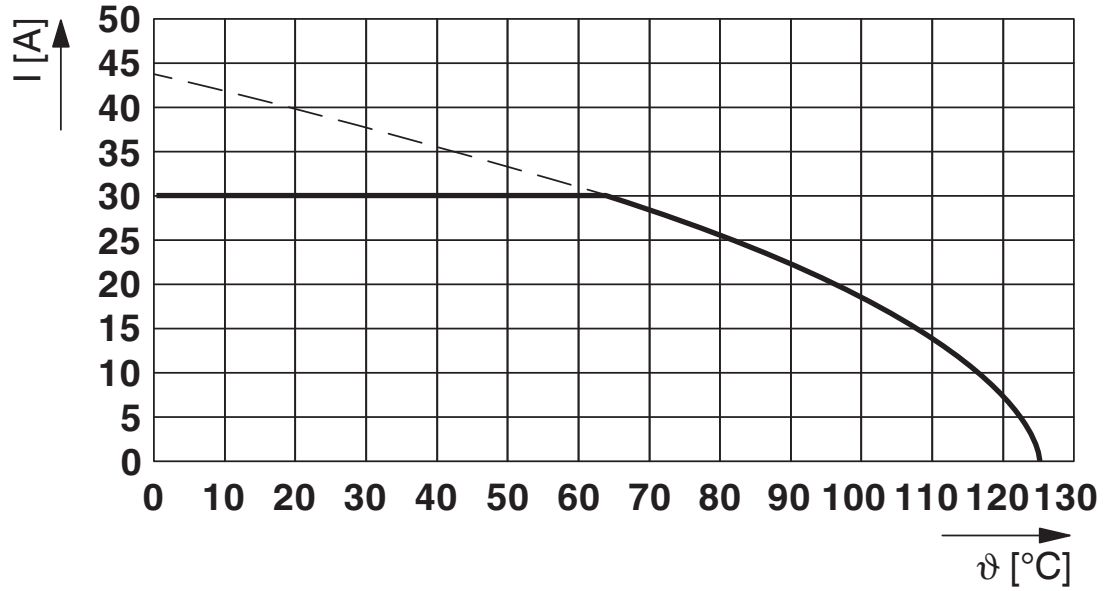
# SF-7ES1N8AY000/VPE 20X - Device connector front mounting with knurled nut



1238440

<https://www.phoenixcontact.com/us/products/1238440>

Diagram



$I$  = current strength,  $T$  = ambient temperature

# SF-7ES1N8AY000/VPE 20X - Device connector front mounting with knurled nut



1238440

<https://www.phoenixcontact.com/us/products/1238440>

## Classifications

### ETIM

ETIM 9.0

EC002635

# SF-7ES1N8AY000/VPE 20X - Device connector front mounting with knurled nut



1238440

<https://www.phoenixcontact.com/us/products/1238440>

## Environmental product compliance

### EU RoHS

Fulfills EU RoHS substance requirements	Yes, No exemptions
---	--------------------

### China RoHS

Environment friendly use period (EFUP)	EFUP-E
	No hazardous substances above the limits

### EU REACH SVHC

REACH candidate substance (CAS No.)	No substance above 0.1 wt%
-------------------------------------	----------------------------

Phoenix Contact 2026 © - all rights reserved  
<https://www.phoenixcontact.com>

Phoenix Contact USA  
586 Fulling Mill Road  
Middletown, PA 17057, United States  
(+717) 944-1300  
[info@phoenixcon.com](mailto:info@phoenixcon.com)