

EV-T2G4CC-DC80A-6,0M16ESBK11 - DC charging cable



1236973

<https://www.phoenixcontact.com/us/products/1236973>

Please be informed that the data shown in this PDF document is generated from our online catalog. Please find the complete data in the user documentation. Our general terms of use for downloads are valid.



CHARX connect compact, CCS type 2, DC charging cable, 80 A permanent, 1000 V DC, with vehicle charging connector and open cable end, cable: 6 m, black, straight, with connected PP contact, with analog temperature sensors, no liquid cooling, PHOENIX CONTACT logo, IEC 62196-3, for charging electric vehicles (EV) with direct current (DC)

Product description

DC charging cable with vehicle charging connector and free cable end for fast charging of electric vehicles (EV) with direct current (DC) via CCS type 2 vehicle charging inlets, for installation at charging stations for e-mobility (EVSE)

Your advantages

- Complete product range
- The right charging cable for every application, from the carport to the charging park
- Convenient handling due to the ergonomic design
- Available with your logo on request - for consistent branding of your charging station
- Developed and produced in accordance with the IATF 16949 automotive standard and ISO 9001

Commercial data

| | |
|--------------------------------------|---------------|
| Item number | 1236973 |
| Packing unit | 1 pc |
| Minimum order quantity | 1 pc |
| Sales key | EM01 |
| Product key | XWBMBB |
| GTIN | 4063151343057 |
| Weight per piece (including packing) | 110 g |
| Weight per piece (excluding packing) | 110 g |
| Customs tariff number | 85444290 |
| Country of origin | PL |

EV-T2G4CC-DC80A-6,0M16ESBK11 - DC charging cable



1236973

<https://www.phoenixcontact.com/us/products/1236973>

Technical data

Product properties

| | |
|-------------------|---|
| Product type | DC charging cable |
| Product family | CHARX connect compact |
| Type | DC charging cable with vehicle charging connector and open cable end |
| Design | with connected PP contact with analog temperature sensors no liquid cooling |
| Charging standard | CCS type 2 |
| Charging mode | Mode 4 |
| Affixed logo | PHOENIX CONTACT logo |
| Label | 8.9 mm x 28.9 mm (customer logo on request) |

Electrical properties

| | |
|-----------------------------|---|
| Type of signal transmission | Pulse width modulation with modulated Powerline communication in accordance with ISO/IEC 15118 / DIN SPEC 70121 |
| Temperature monitoring | 2x Pt 1000 |

Charging power and current (DC charging)

| | |
|--------------------------|---------|
| Type of charging current | DC |
| Charging current | 80 A DC |
| Charging power | 80 kW |
| Rated voltage | 1000 V |

Pin assignment (Power contacts)

| | |
|-------------------------------|--|
| Note on the connection method | Crimp connection, cannot be disconnected |
| Number | 3 (PE, DC+, DC-) |
| Rated voltage | 1000 V DC |
| Rated current | 80 A (up to 55 °C) |

Pin assignment (Signal contacts)

| | |
|-------------------------------|---|
| Note on the connection method | Crimp connection, cannot be disconnected |
| Type of signal transmission | Pulse width modulation with modulated Powerline communication in accordance with ISO/IEC 15118 / DIN SPEC 70121 |
| Number | 2 (CP, PP) |
| Rated voltage | 30 V AC |
| Rated current | 2 A |
| Coding | 1500 Ω (between PE and PP) |

Temperature sensors (Pt 1000)

| | |
|-----------------------|--------------|
| Sensor type | Pt 1000 |
| Standards/regulations | DIN EN 60751 |

EV-T2G4CC-DC80A-6,0M16ESBK11 - DC charging cable



1236973

<https://www.phoenixcontact.com/us/products/1236973>

| | |
|------------------------------|--|
| Attachment point | Sensor for the DC contacts |
| Switch-off temperature | 90 °C ±1 K (equivalent to a Pt 1000 value of 1346.5 Ω) |
| Long-term stability | 0.06 % (after 1000 hours at 130 °C) |
| Recommended measured current | 1 mA (1 V at 0°C) |
| Coefficient | 3850 ppm/K |
| Ambient temperature | -50 °C ... 130 °C (Operation) |

Dimensions

Vehicle charging connector

| | |
|--------|--------|
| Width | 71 mm |
| Height | 144 mm |
| Depth | 243 mm |

Material specifications

| | |
|--|--|
| Color (Housing) | black (9005) |
| Color (Handle area) | gray (7042) |
| Color (Mating face) | black (9005) |
| Color (Protective cap) | black (9005) |
| Color (Cable) | black (9005) |
| Material (Vehicle charging connector) | Plastic |
| Material (Cable outer sheath) | TPE-U |
| Material (Contact surface) | Silver |
| Note | The color appearance and gloss level of the charging cable may vary. |
| Flammability rating according to UL 94 | V0 (Mating face) |

Cable/line

| | |
|--------------------------------|--|
| Cable length | 6 m ±45 mm |
| Wiring standards/regulations | prEN 50620/DIN EN 50620 |
| Cable weight | max. 820.00 kg/km |
| Cable type | Class 6 |
| Cable type | straight |
| Cable structure | 3 x 16 mm ² + 3 x 2 x 0.75 mm ² |
| External cable diameter | 21.20 mm ±0.4 mm |
| Outer sheath, material | TPE-U |
| Stripping length of the sheath | 140 mm ±10 mm |
| Stripping length | 140 mm ±10 mm |
| Cable resistance | ≤ 0.00121 Ω/m (based on a power core, at an ambient temperature of 20°C) |
| Bending radius | min. 212 mm (10x Ø) |

Mechanical properties

Mechanical data

| | |
|-----------------------------|---------|
| Insertion/withdrawal cycles | > 10000 |
|-----------------------------|---------|

EV-T2G4CC-DC80A-6,0M16ESBK11 - DC charging cable



1236973

<https://www.phoenixcontact.com/us/products/1236973>

| | |
|------------------|---------|
| Insertion force | < 100 N |
| Withdrawal force | < 100 N |

Environmental and real-life conditions

Ambient conditions

| | |
|---|--|
| Degree of protection (Vehicle charging connector) | IP54 (plugged in; when plugged in and ready to operate, the degree of protection is only ensued if both plug-in components are original products from Phoenix Contact or suitable standard-compliant products) |
| Ambient temperature (operation) | -30 °C ... 55 °C |
| Ambient temperature (storage/transport) | -40 °C ... 80 °C |
| Altitude | 5000 m (above sea level) |

Standards and regulations

| | |
|--------------------------|-----------------------------------|
| Standards/specifications | IEC 62196-3 |
| Note | Compliant with AFIR - EU 2025/656 |

EV-T2G4CC-DC80A-6,0M16ESBK11 - DC charging cable

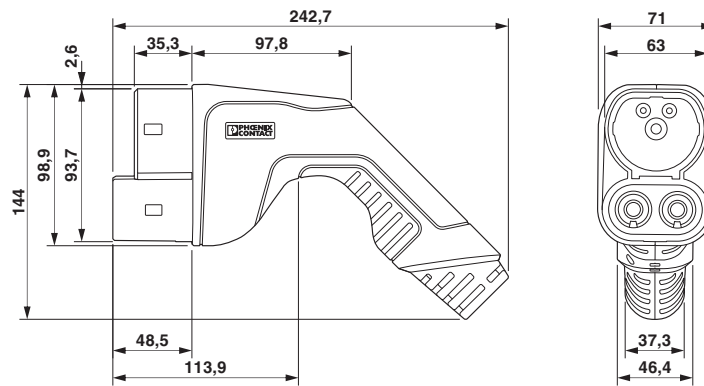


1236973

<https://www.phoenixcontact.com/us/products/1236973>

Drawings

Dimensional drawing



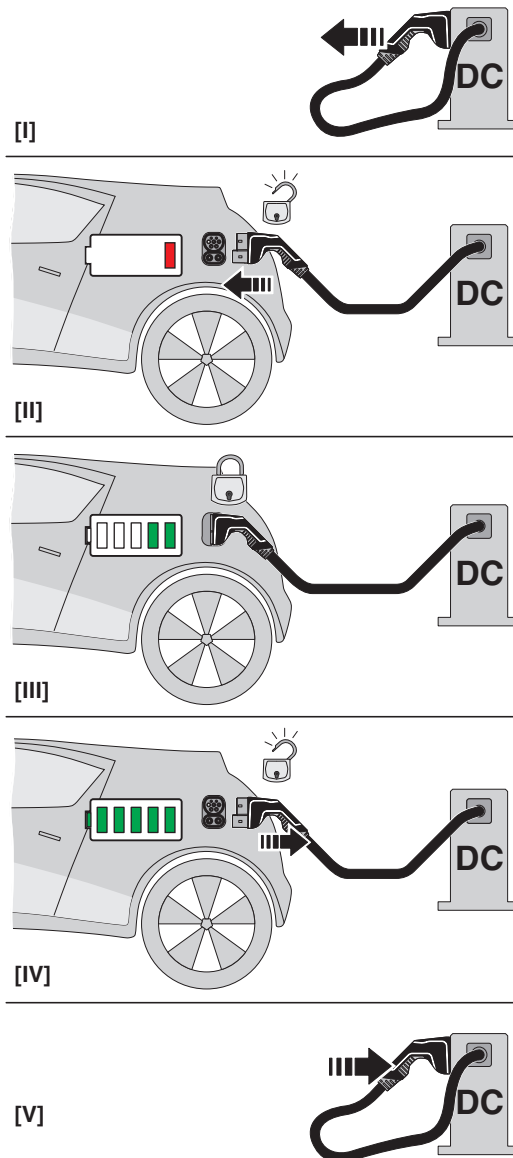
Dimensional drawing

EV-T2G4CC-DC80A-6,0M16ESBK11 - DC charging cable

1236973

<https://www.phoenixcontact.com/us/products/1236973>

Schematic diagram



Operating instructions

Schematic diagram



The Combined Charging System (CCS) principle - standard-compliant charging system for electric vehicles, which supports both conventional AC charging and fast DC charging. Both Vehicle Connectors fit into the CCS Vehicle Inlet.

EV-T2G4CC-DC80A-6,0M16ESBK11 - DC charging cable

1236973

<https://www.phoenixcontact.com/us/products/1236973>

Schematic diagram



Pin assignment of the Vehicle Connector

EV-T2G4CC-DC80A-6,0M16ESBK11 - DC charging cable




1236973

<https://www.phoenixcontact.com/us/products/1236973>

Approvals

To download certificates, visit the product detail page: <https://www.phoenixcontact.com/us/products/1236973>

|  IECEE CB Scheme Approval ID: DE1-64088 | | Nominal voltage U_N | Nominal current I_N | Cross section AWG | Cross section mm^2 |
|--|--|-----------------------|-----------------------|-------------------|-----------------------------|
| keine | | | | | |
| | | 80 V | 1000 A | - | - |

EV-T2G4CC-DC80A-6,0M16ESBK11 - DC charging cable



1236973

<https://www.phoenixcontact.com/us/products/1236973>

Classifications

ECLASS

| | |
|-------------|----------|
| ECLASS-13.0 | 27144705 |
| ECLASS-15.0 | 27144705 |

ETIM

| | |
|-----------|----------|
| ETIM 10.0 | EC002897 |
|-----------|----------|

UNSPSC

| | |
|-------------|----------|
| UNSPSC 21.0 | 39121500 |
|-------------|----------|

EV-T2G4CC-DC80A-6,0M16ESBK11 - DC charging cable



1236973

<https://www.phoenixcontact.com/us/products/1236973>

Environmental product compliance

EU RoHS

| | |
|---|------|
| Fulfills EU RoHS substance requirements | Yes |
| Exemption | 6(c) |

China RoHS

| | |
|--|---|
| Environment friendly use period (EFUP) | EFUP-50 |
| | An article-related China RoHS declaration table can be found in the download area for the respective article under "Manufacturer declaration". For all articles with EFUP-E, no China RoHS declaration table issued and required. |

EU REACH SVHC

| | |
|-------------------------------------|---|
| REACH candidate substance (CAS No.) | Lead(CAS: 7439-92-1) |
| | 6,6'-di-tert-butyl-2,2'-methylenedi-p-cresol(CAS: 119-47-1) |
| SCIP | 6d45c0f5-81ce-428e-a6c6-5a5326629ca3 |

EF3.1 Climate Change

| | |
|---------|---------------|
| CO2e kg | 56.98 kg CO2e |
|---------|---------------|

Phoenix Contact 2026 © - all rights reserved
<https://www.phoenixcontact.com>

Phoenix Contact USA
586 Fulling Mill Road
Middletown, PA 17057, United States
(+717) 944-1300
info@phoenixcon.com