

# CLOUD CLIENT 2002T-WLAN - Router



1234360

<https://www.phoenixcontact.com/us/products/1234360>

Please be informed that the data shown in this PDF document is generated from our online catalog. Please find the complete data in the user documentation. Our general terms of use for downloads are valid.



Industrial VPN gateway for mGuard Secure Cloud, IPsec communication via WLAN client 802.11a/b/g/n, 150 Mbps, 2.4 GHz + 5 GHz, 2-port switch, antenna connections: 2 RSMA WLAN, 4 DI, 2 DO

## Your advantages

- Virtual dedicated line to connect networks via cellular network
- Configuration via web-based management or microSD card
- Two local Ethernet connections
- Switchable energy-saving mode
- Integrated logbook
- Extended temperature range of -40 °C ... +70 °C
- Four digital inputs
- Two digital outputs

## Commercial data

Item number	1234360
Packing unit	1 pc
Minimum order quantity	1 pc
Sales key	DN25
Product key	DNC422
GTIN	4063151338237
Weight per piece (including packing)	320.3 g
Weight per piece (excluding packing)	320.3 g
Customs tariff number	85176200
Country of origin	DE

## Technical data

### Notes

#### Note on application

Note on application	Only for industrial use
---------------------	-------------------------

### Product properties

Product type	Remote maintenance gateway
Application	Ethernet
MTTF	384 Years (SN 29500 standard, temperature 25°C, operating cycle 21%)
	180 Years (SN 29500 standard, temperature 40°C, operating cycle 34.25%)
	64 Years (SN 29500 standard, temperature 40°C, operating cycle 100%)

### Security functions

Number of VPN tunnels	1
Authentication	X.509v3, PSK
Data integrity	IPsec: MD5, SHA-1, SHA-256, SHA-512, AESXCBC
Filtering	Interface and protocols only
Firewall rules	Stateful inspection firewall
Internet Protocol Security (IPsec) mode	ESP tunnel
Encryption methods	IPsec: 3DES, AES, Blowfish

### Electrical properties

Electrical isolation	VCC // Ethernet
Maximum power dissipation for nominal condition	4.32 W

### Supply

Supply voltage range	10 V DC ... 30 V DC (Via pluggable Push-in terminal block)
Typical current consumption	< 180 mA (24 V DC)
	< 500 mA (10 V DC)
	≤ 3 mA (With activated energy-saving mode)
Max. current consumption	1.5 A

### Function

Management	Web-based management
	SNMPv1/v2/v3
Data storage system	Micro SDHC card

### Input data

#### Digital

Description of the input	Digital input
Number of inputs	4

# CLOUD CLIENT 2002T-WLAN - Router



1234360

<https://www.phoenixcontact.com/us/products/1234360>

Voltage input signal	10 V DC ... 30 V DC
Switching level "0" signal	< 8 V DC
Switching level "1" signal	10 V DC ... 30 V DC

## Output data

### Signal

Output name	Digital output
Number of outputs	2
Voltage output signal	10 V DC ... 30 V DC (depending on the operating voltage)
Current output signal	≤ 50 mA (Not short-circuit proof)

## Connection data

### Supply

Connection method	Push-in spring connection
Conductor cross-section, flexible, with ferrule, without plastic sleeve	0.25 mm <sup>2</sup> ... 1.5 mm <sup>2</sup>
Conductor cross-section, flexible, with ferrule, with plastic sleeve	0.25 mm <sup>2</sup> ... 0.75 mm <sup>2</sup>
Single conductor/terminal point, rigid	0.14 mm <sup>2</sup> ... 1.5 mm <sup>2</sup>
Single-wire/terminal point, flexible	0.14 mm <sup>2</sup> ... 1.5 mm <sup>2</sup>
Conductor cross-section, flexible [AWG]	26 ... 16
Stripping length	9.00 mm

## Interfaces

Web server	yes
------------	-----

Data: Ethernet interface, 10/100Base-T(X) in accordance with IEEE 802.3

Serial transmission speed	10/100 Mbps, auto negotiation
Connection method	RJ45 jack, shielded
No. of channels	2
Transmission length	100 m (shielded twisted pair)
Protocols supported	TCP/IP, UDP/IP, HTTP(S), (S)FTP, TFTP, SCEP, RADIUS, IPsec Network Discovery: LLDP, CDP, FDP, SONMP, EDP, IRDP
Auxiliary protocols	ARP, DHCP, DNS, DynDNS, PING (ICMP), SMTP(S), NTP, SSL/TLS, STARTTLS, SMS

### Wireless

Interface description	WLAN in accordance with IEEE 802.11 a/b/g/n
Operating mode	Access point
	Client
	Dual mode
	Mesh
Frequency	5 GHz
	2.4 GHz
	11 Mbps (2.4 GHz)

# CLOUD CLIENT 2002T-WLAN - Router

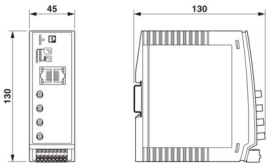


1234360

<https://www.phoenixcontact.com/us/products/1234360>

Data rate	54 Mbps (2.4 GHz)
	144 Mbps (2.4 GHz)
	54 Mbps (5 GHz)
	150 Mbps (5 GHz)
Antenna connection method	RSMA (female)
Security	WPA, WPA2 (TKIP, CCMP, PSK, RADIUS)

## Dimensions

Dimensional drawing	
Width	45 mm
Height	130 mm
Depth	130 mm

## Material specifications

Color (Upper housing part)	light gray (RAL 7035)
Material (Housing)	Polycarbonate

## Environmental and real-life conditions

### Ambient conditions

Degree of protection	IP20
Ambient temperature (operation)	-40 °C ... 70 °C
Ambient temperature (storage/transport)	-40 °C ... 85 °C
Altitude	≤ 5000 m (For restrictions, see the manufacturer's declaration for altitude operation)
Permissible humidity (operation)	10 % ... 95 % (non-condensing)
Permissible humidity (storage/transport)	10 % ... 95 % (non-condensing)

## Approvals

### CE

Certificate	CE-compliant
-------------	--------------

### Wireless approval USA, FCC

Certificate	Z64-WL18DBMOD
Note	FCC directive, part 15

## EMC data

Electromagnetic compatibility	Conformance with RED Directive 2014/53/EU
Noise immunity	EN 61000-6-2

### Electrostatic discharge

# CLOUD CLIENT 2002T-WLAN - Router



1234360

<https://www.phoenixcontact.com/us/products/1234360>

Standards/regulations	EN 61000-4-2
Electrostatic discharge	
Contact discharge	± 6 kV (Test Level 3)
Discharge in air	± 8 kV (Test Level 3)
Comments	Criterion B
Electromagnetic HF field	
Standards/regulations	EN 61000-4-3
Electromagnetic HF field	
Frequency range	80 MHz ... 3 GHz (Test Level 3)
Field intensity	10 V/m
Comments	Criterion A
Fast transients (burst)	
Standards/regulations	EN 61000-4-4
Fast transients (burst)	
Input	± 2 kV (Test Level 3)
Signal	± 2 kV (Ethernet)
Comments	Criterion B
Surge current load (surge)	
Standards/regulations	EN 61000-4-5
Surge current load (surge)	
Input	± 0.5 kV (symmetrical) ± 1 kV (asymmetrical)
Signal	± 1 kV (Data line, asymmetrical)
Comments	Criterion B
Conducted interference	
Standards/regulations	EN 61000-4-6
Conducted interference	
Frequency range	0.15 MHz ... 80 MHz
Comments	Criterion A
Voltage	10 V
Emitted interference	
Radio interference voltage in acc. with EN 55011	Class B, area of application: Industry and residential
Emitted radio interference in acc. with EN 55011	Class B, area of application: Industry and residential
Criteria	
Criterion A	Normal operating behavior within the specified limits.
Criterion B	Temporary impairment to operational behavior that is corrected by the device itself.

# CLOUD CLIENT 2002T-WLAN - Router



1234360

<https://www.phoenixcontact.com/us/products/1234360>

## Mounting

Mounting type

DIN rail mounting

# CLOUD CLIENT 2002T-WLAN - Router

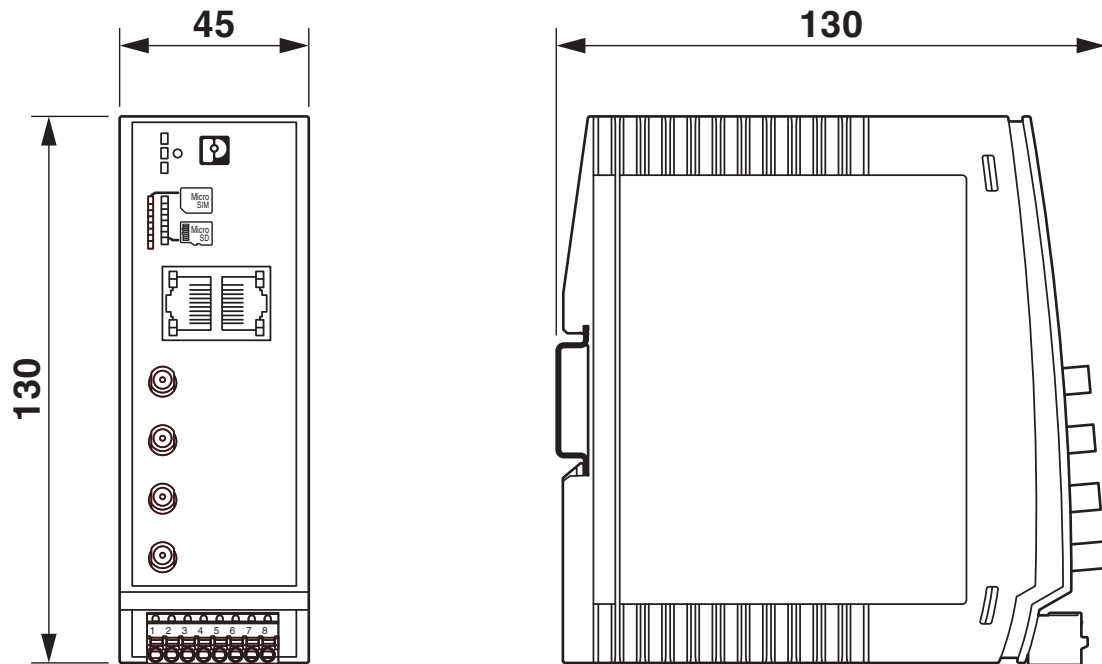


1234360

<https://www.phoenixcontact.com/us/products/1234360>

## Drawings

Dimensional drawing

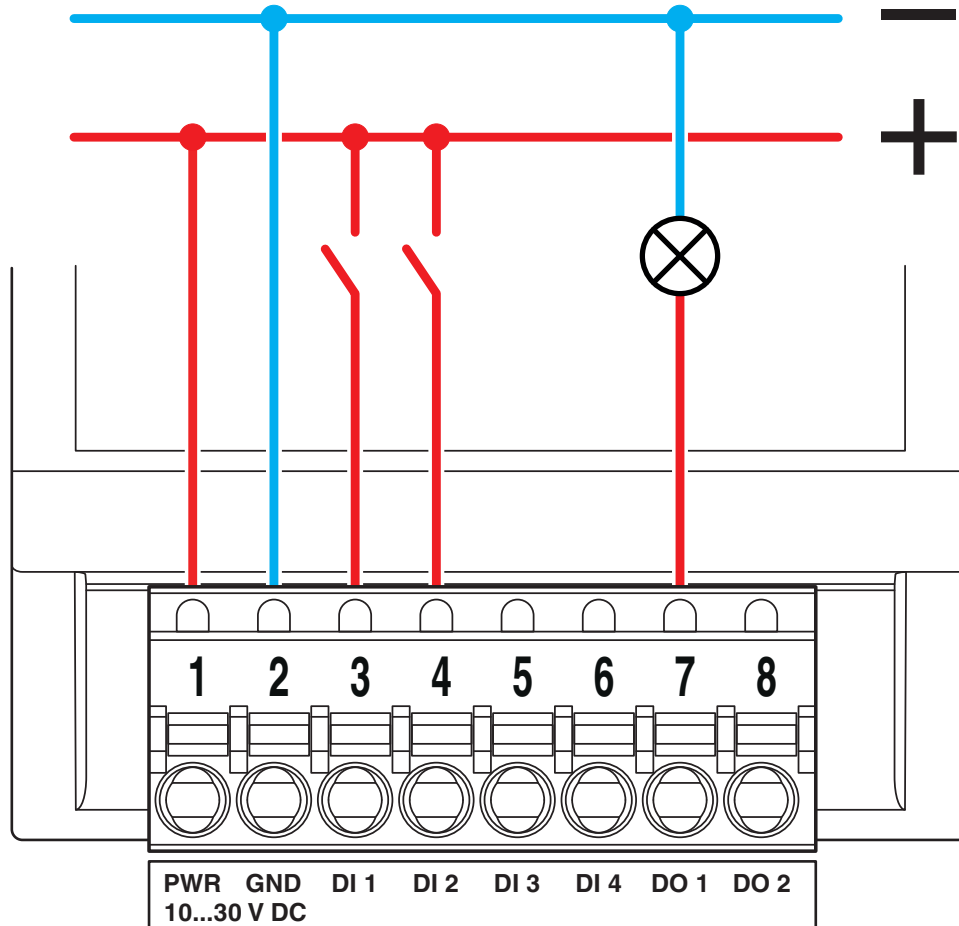


Dimensions (product version with four antenna connections)

1234360

<https://www.phoenixcontact.com/us/products/1234360>

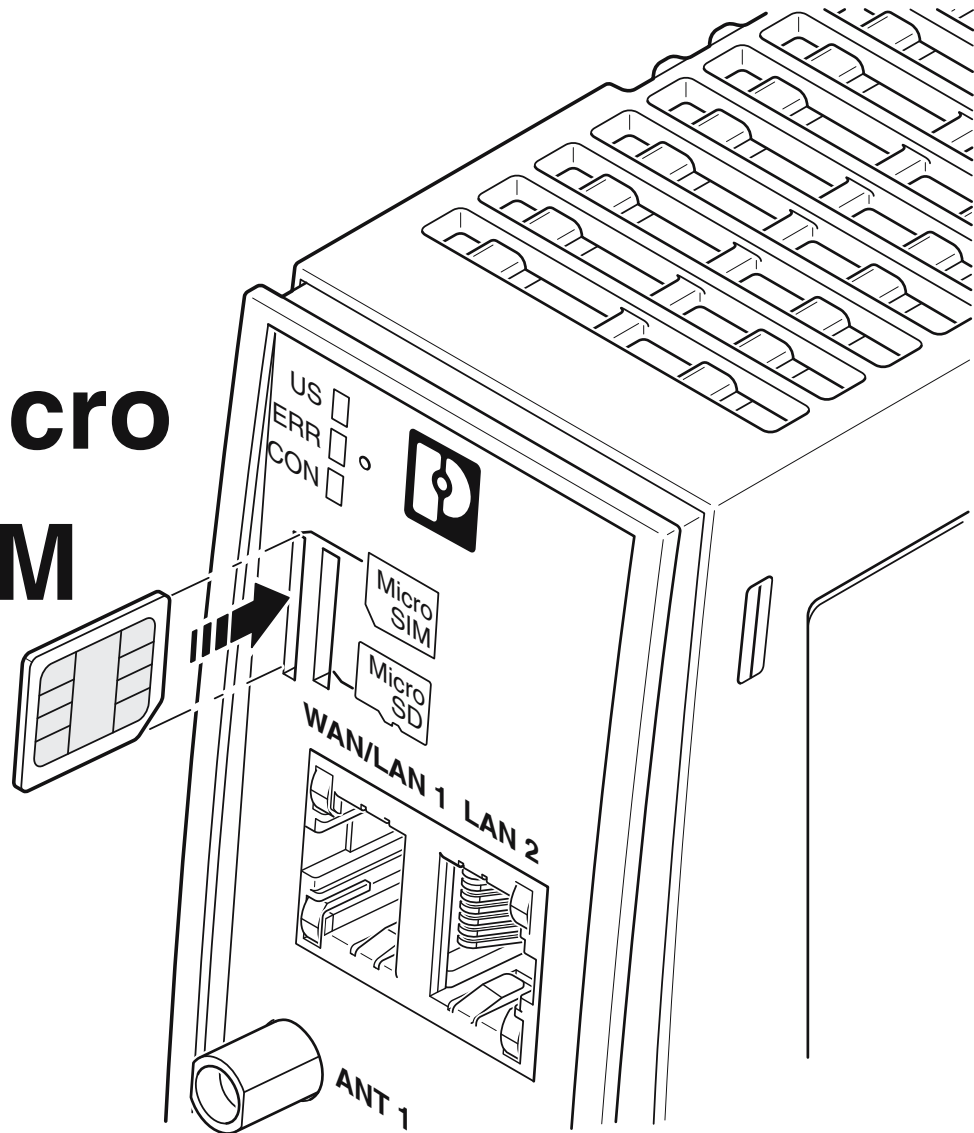
Connection diagram



Switching inputs and outputs

Schematic diagram

# Micro SIM



Insert SIM card

Schematic diagram

# Micro SD



Insert SD card

# CLOUD CLIENT 2002T-WLAN - Router



1234360

<https://www.phoenixcontact.com/us/products/1234360>

## Classifications

### ECLASS

ECLASS-13.0	19170502
-------------	----------

### ETIM

ETIM 9.0	EC001478
----------	----------

### UNSPSC

UNSPSC 21.0	43222600
-------------	----------

# CLOUD CLIENT 2002T-WLAN - Router



1234360

<https://www.phoenixcontact.com/us/products/1234360>

## Environmental product compliance

### EU RoHS

Fulfills EU RoHS substance requirements	Yes, No exemptions
---	--------------------

### China RoHS

Environment friendly use period (EFUP)	EFUP-E
	No hazardous substances above the limits

### EU REACH SVHC

REACH candidate substance (CAS No.)	No substance above 0.1 wt%
-------------------------------------	----------------------------

Phoenix Contact 2026 © - all rights reserved  
<https://www.phoenixcontact.com>

Phoenix Contact USA  
586 Fulling Mill Road  
Middletown, PA 17057, United States  
(+717) 944-1300  
[info@phoenixcon.com](mailto:info@phoenixcon.com)