

# NEARFI P 2A B - Inductive coupler



1234226

<https://www.phoenixcontact.com/us/products/1234226>

Please be informed that the data shown in this PDF document is generated from our online catalog. Please find the complete data in the user documentation. Our general terms of use for downloads are valid.



NearFi base, contactless power coupler, 50 W (US), range  $\leq 10$  mm, M12 screw connection, IP65, can be combined with NEARFI P 2A R. Incompatible with NEARFI 200 (new)

## Product description

With the robust NEARFI-P... NearFi couplers, you can transmit power (24 V DC / 2 A) without contact across a distance in the centimeter range. You can therefore replace wear-sensitive and maintenance-intensive connections and reduce downtimes in your systems.

## Your advantages

- Contactless - and therefore no wear and no maintenance
- High power in a compact housing
- All-round visible diagnostics with light ring on the housing
- High degree of mounting freedom with flexible proximity options
- Plug and Play - as easy as a plug
- Degree of protection IP65

## Commercial data

Item number	1234226
Packing unit	1 pc
Minimum order quantity	1 pc
Sales key	DN26
Product key	DNC692
GTIN	4063151337926
Weight per piece (including packing)	582 g
Weight per piece (excluding packing)	535 g
Customs tariff number	85176200
Country of origin	DE

# NEARFI P 2A B - Inductive coupler



1234226

<https://www.phoenixcontact.com/us/products/1234226>

## Technical data

### Product properties

Product type	Inductive coupler
Product family	NearFi
Application	Power
MTTF	331 Years (SN 29500 standard, temperature 25°C, operating cycle 21%) 196 Years (SN 29500 standard, temperature 40°C, operating cycle 34.25%) 98 Years (SN 29500 standard, temperature 40°C, operating cycle 100%)

### Insulation characteristics

Overvoltage category	II
Pollution degree	2

### Electrical properties

Maximum power dissipation for nominal condition	0.72 W
---	--------

### Supply

Supply voltage range	19 V DC ... 30 V DC
Typical current consumption	30 mA (without remote coupler, at 24 V DC, at 25°C) 125 mA (with remote coupler, without load, at 24 V DC, at 25°C)
Max. current consumption	≤ 3.2 A (with remote coupler, 2 A load, input voltage of 19 V DC)
Inrush current	≤ 0.8 A (8 ms at 24 V DC, without remote coupler) ≤ 4.5 A (6 ms at 24 V DC, with remote coupler, without load)
Protective circuit	Transient protection, polarity protection

### Input data

#### Digital

Description of the input	Digital input
Number of inputs	1
Voltage input signal	19 V DC ... 30 V DC
Switching level "1" signal	19 V DC ... 30 V DC

### Output data

#### Signal

Output name	Digital output
Number of outputs	1
Voltage output signal	≤ 24 V DC

### Connection data

#### Supply

# NEARFI P 2A B - Inductive coupler



1234226

<https://www.phoenixcontact.com/us/products/1234226>

Connection method	M12 male, A-coded
-------------------	-------------------

## Interfaces

Inductive: Power transmission

Switch-on time	< 50 ms
Range	min. 0 mm
	≤ 10 mm (at 60 °C)
	≤ 12 mm (at 25 °C)
Center offset	± 10 mm
Wireless modules that can be connected	1 (Remote coupler)
Frequency range	100 kHz ... 148.5 kHz (Power transmission)
Test field strength	~ 1.95 μA/m (within 10 m distance)

## Dimensions

Dimensional drawing	
Width	80 mm
Height	86 mm
Depth	39 mm

## Material specifications

Color (Housing)	black (RAL 9005)
Material (Enclosure)	PBT
	Die-cast zinc
Flammability rating according to UL 94	V0

## Cable/line

Other resistance	Resistant to welding splashes
	Resistant to salt spray in accordance with IEC 60068-2-11 (96 h in 5% salt spray)

## Mechanical tests

Vibration resistance in accordance with EN 60068-2-6/IEC 60068-2-6	Vibration (operation): 5 g per spatial direction, 10 Hz ... 150 Hz, amplitude ±0.34 mm
Shock in accordance with EN 60068-2-27/IEC 60068-2-27	Shock (operation): 30 g, 11 ms duration, half-sine shock pulse, three shocks per spatial direction
Continuous shock in accordance with EN 60068-2-27/IEC 60068-2-27	Continuous shock (operation): 10 g, 16 ms duration, half-sine shock pulse, 1,000 shocks per spatial direction

# NEARFI P 2A B - Inductive coupler



1234226

<https://www.phoenixcontact.com/us/products/1234226>

## Environmental and real-life conditions

### Ambient conditions

Degree of protection	IP65 (Manufacturer's declaration)
Impact strength	IK06
Ambient temperature (operation)	-20 °C ... 60 °C (observe derating) -20 °C ... 40 °C (in accordance with UL, observe derating)
Ambient temperature (storage/transport)	-40 °C ... 85 °C
Altitude	2000 m
Permissible humidity (operation)	10 % ... 95 %
Permissible humidity (storage/transport)	10 % ... 95 %
Air pressure (operation)	80 kPa ... 108 kPa (up to 2000 m above sea level)
Air pressure (storage/transport)	66 kPa ... 108 kPa (up to 3500 m above sea level)

## Approvals

### CE

Certificate	CE-compliant
-------------	--------------

### Wireless approval, Europe

Note	RED 2014/53/EU
------	----------------

### UL, USA

Identification	UL 61010 Listed
	UL 61010-2-201, 2nd Edition
	UL 61010-1, 3rd Edition
Certificate	E238705

### UL, Canada

Identification	cUL 61010 Listed
	CSA C22.2 NO. 61010-2-201:18, 2nd Edition
	CSA C22.2 NO. 61010-1, 3rd Edition
Certificate	E238705

### Wireless approval USA, FCC

Certificate	YG3P2AB
-------------	---------

### KC approval for South Korea

Certificate	R-R-PCK-1234232
-------------	-----------------

## EMC data

Electromagnetic compatibility	Conformance with EMC Directive 2014/30/EU
-------------------------------	---

### Electrostatic discharge

Standards/regulations	EN 61000-4-2
-----------------------	--------------

### Electrostatic discharge

Contact discharge	± 4 kV (Test Level 2)
-------------------	-----------------------

# NEARFI P 2A B - Inductive coupler



1234226

<https://www.phoenixcontact.com/us/products/1234226>

Discharge in air	± 8 kV (Test Level 3)
Comments	Criterion B

## Electromagnetic HF field

Standards/regulations	EN 61000-4-3
-----------------------	--------------

## Electromagnetic HF field

Frequency range	80 MHz ... 1 GHz (Test Level 3)
Field intensity	10 V/m
Comments	Criterion A

## Fast transients (burst)

Standards/regulations	EN 61000-4-4
-----------------------	--------------

## Fast transients (burst)

Input	± 2 kV (Test Level 3 - asymmetrical)
Output	± 2 kV (Test Level 3 - asymmetrical)
Signal	± 2 kV (Test Level 3 - asymmetrical)
Comments	Criterion B

## Surge current load (surge)

Standards/regulations	EN 61000-4-5
-----------------------	--------------

## Surge current load (surge)

Input	± 0.5 kV (Test Level 1 - symmetrical)
	± 1 kV (Test Level 2 - asymmetrical)
Output	± 1 kV (Test Level 2 - asymmetrical)
Signal	± 1 kV (Test Level 2 - asymmetrical)
Comments	Criterion B

## Conducted interference

Standards/regulations	EN 61000-4-6
-----------------------	--------------

## Conducted interference

Frequency range	0.15 MHz ... 80 MHz (Test Level 3 - asymmetrical)
Comments	Criterion A
Voltage	10 V (80% amplitude modulation with 1 kHz)

## Emitted interference

Standards/regulations	EN 55016-2-3
Comments	Class A, industrial applications

## Criteria

Criterion A	Normal operating behavior within the specified limits.
Criterion B	Temporary impairment to operational behavior that is corrected by the device itself.

## Standards and regulations

Free from substances that could impair the application of coating	VDMA 24364:2018-05
---	--------------------

# NEARFI P 2A B - Inductive coupler



1234226

<https://www.phoenixcontact.com/us/products/1234226>

Other resistance	Resistant to welding splashes
	Resistant to salt spray in accordance with IEC 60068-2-11 (96 h in 5% salt spray)
Standards/regulations	EN 60204-1 (PELV)
Standard designation	Protective extra-low voltage

## Mounting

Mounting type	Panel mounting
Assembly note	Observe derating
Mounting position	any

# NEARFI P 2A B - Inductive coupler

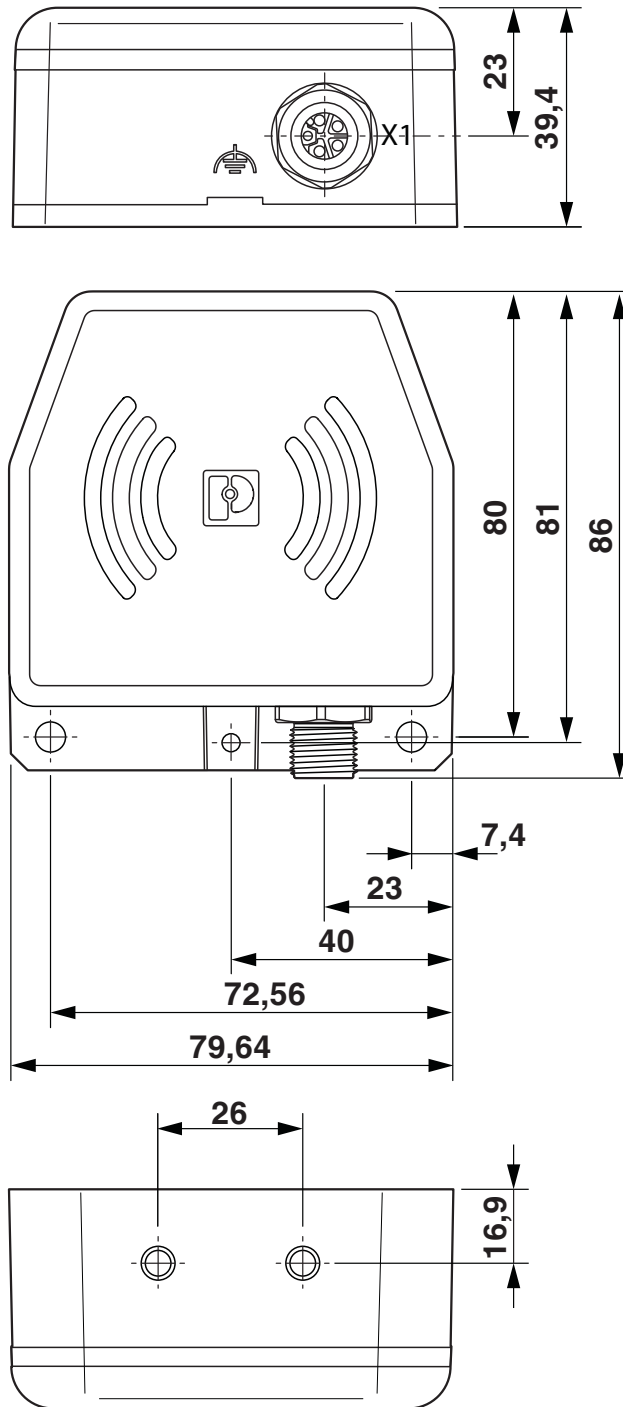
1234226

<https://www.phoenixcontact.com/us/products/1234226>



## Drawings

Dimensional drawing



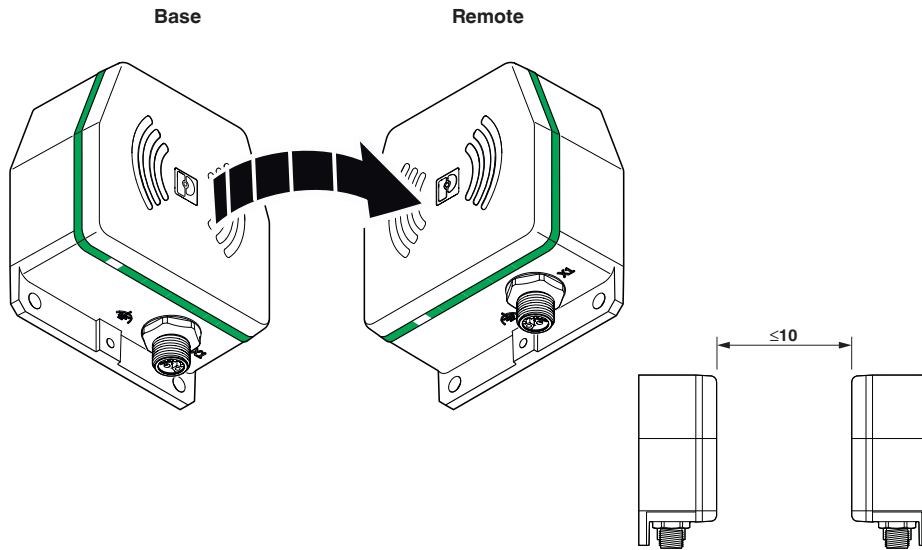
Dimensional drawing

# NEARFI P 2A B - Inductive coupler

1234226

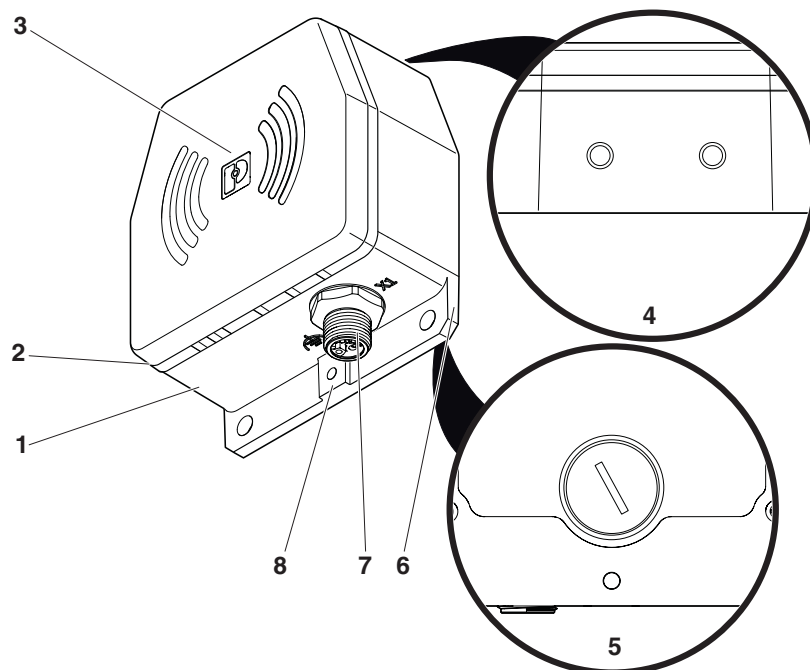
<https://www.phoenixcontact.com/us/products/1234226>

## Schematic diagram



## Method of operation

## Schematic diagram



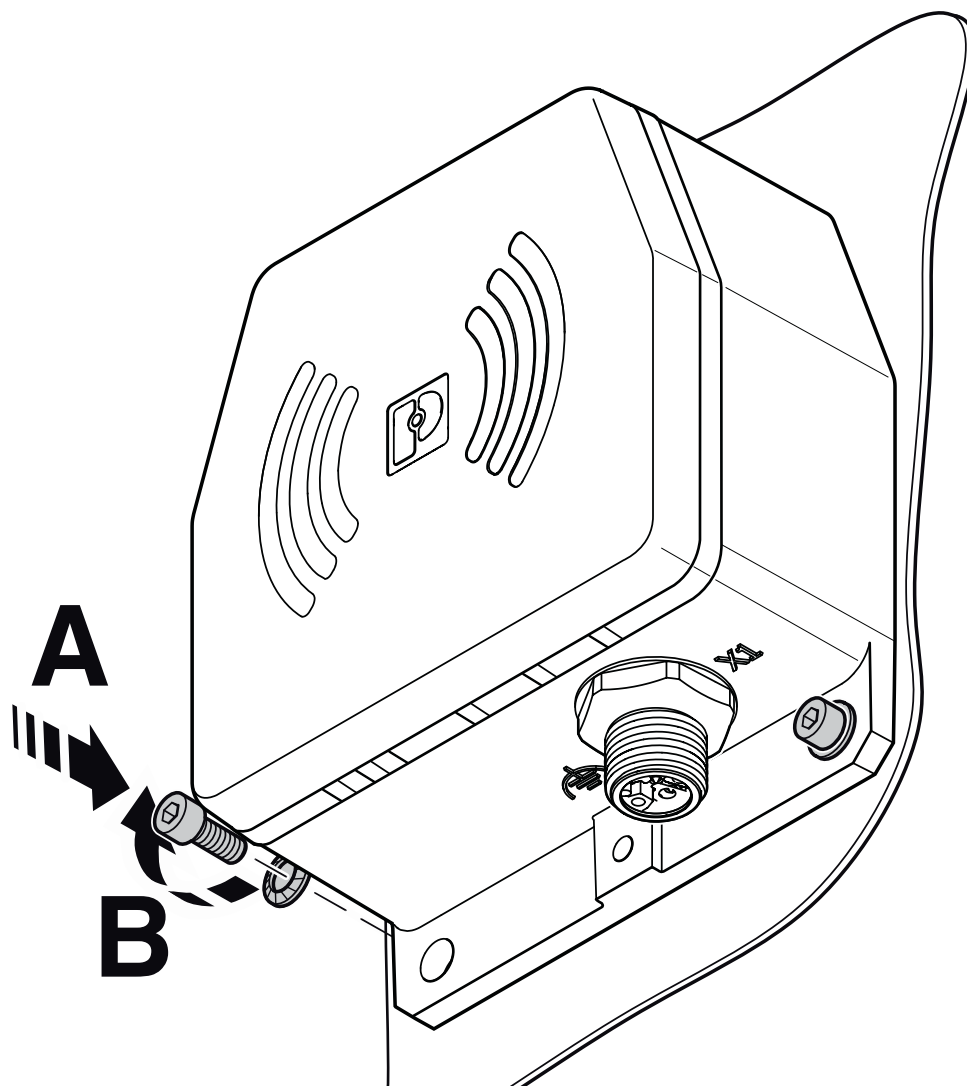
## Function elements

# NEARFI P 2A B - Inductive coupler

1234226

<https://www.phoenixcontact.com/us/products/1234226>

Schematic diagram



Mounting with two screws

# NEARFI P 2A B - Inductive coupler

1234226

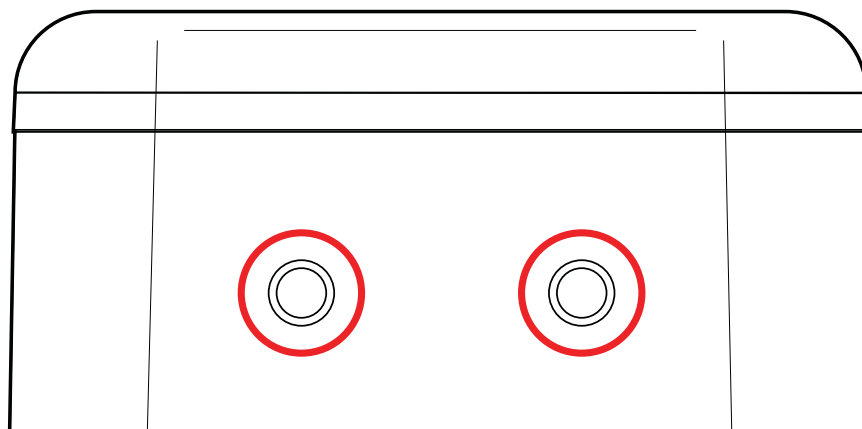
<https://www.phoenixcontact.com/us/products/1234226>

Schematic diagram



Mounting with four screws

Schematic diagram



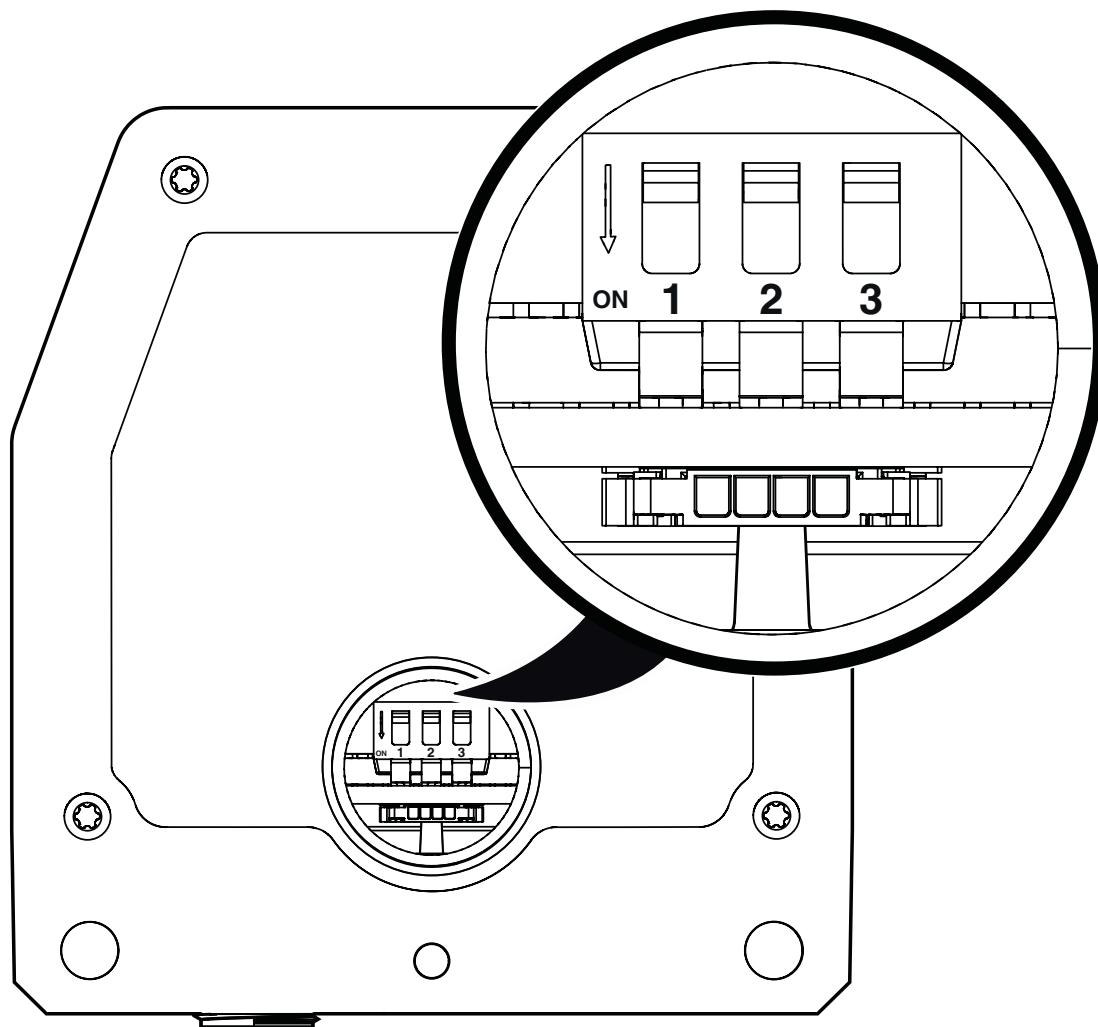
Mounting option

# NEARFI P 2A B - Inductive coupler

1234226

<https://www.phoenixcontact.com/us/products/1234226>

Schematic diagram



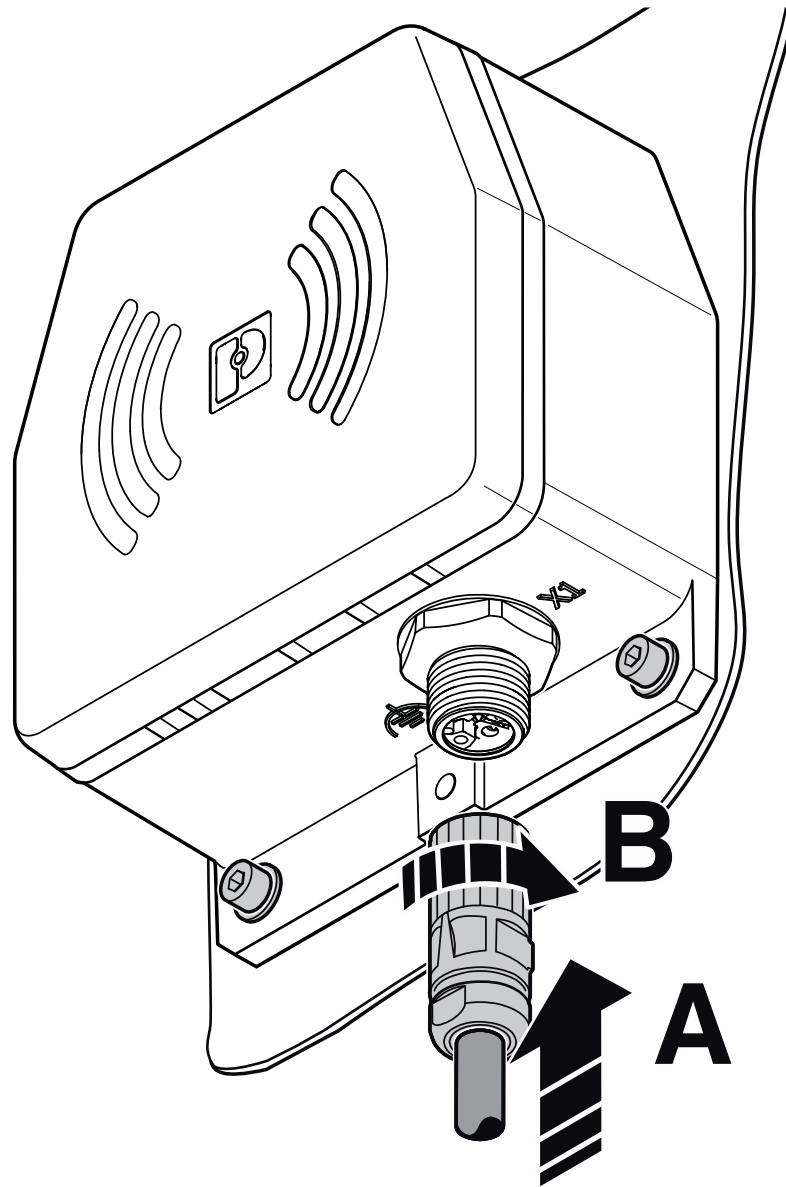
DIP switches

# NEARFI P 2A B - Inductive coupler

1234226

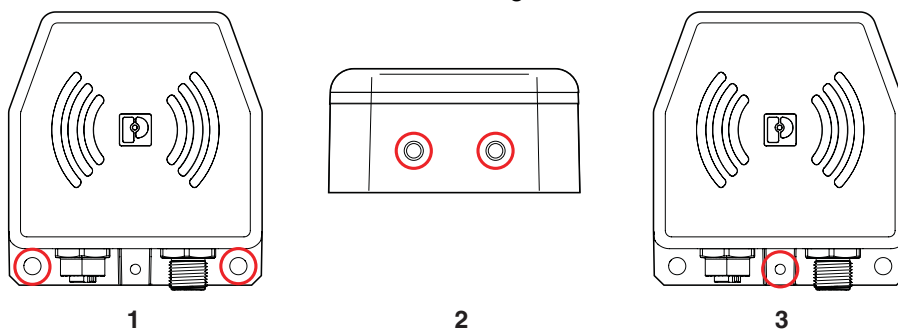
<https://www.phoenixcontact.com/us/products/1234226>

Schematic diagram



## Connecting the cables

Schematic diagram



## Options for functional grounding

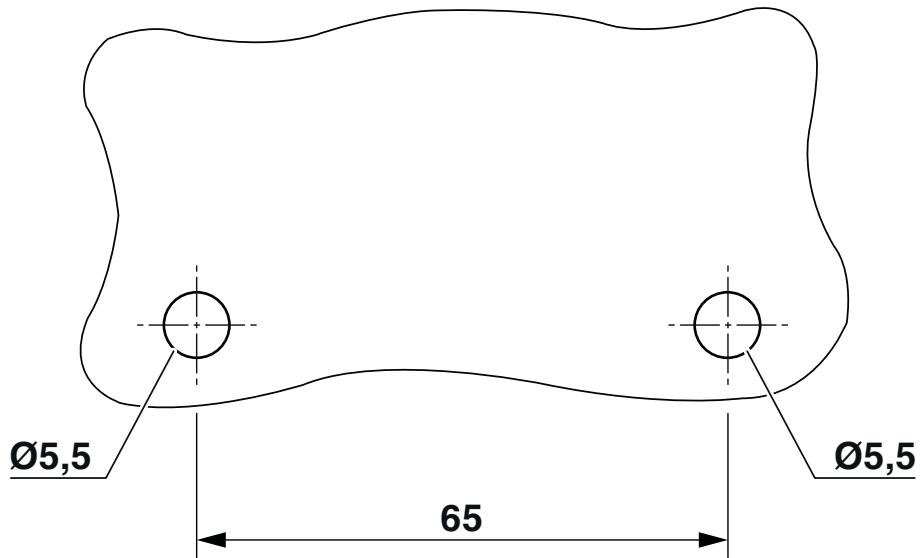
# NEARFI P 2A B - Inductive coupler



1234226

<https://www.phoenixcontact.com/us/products/1234226>

Drilling plan/solder pad geometry

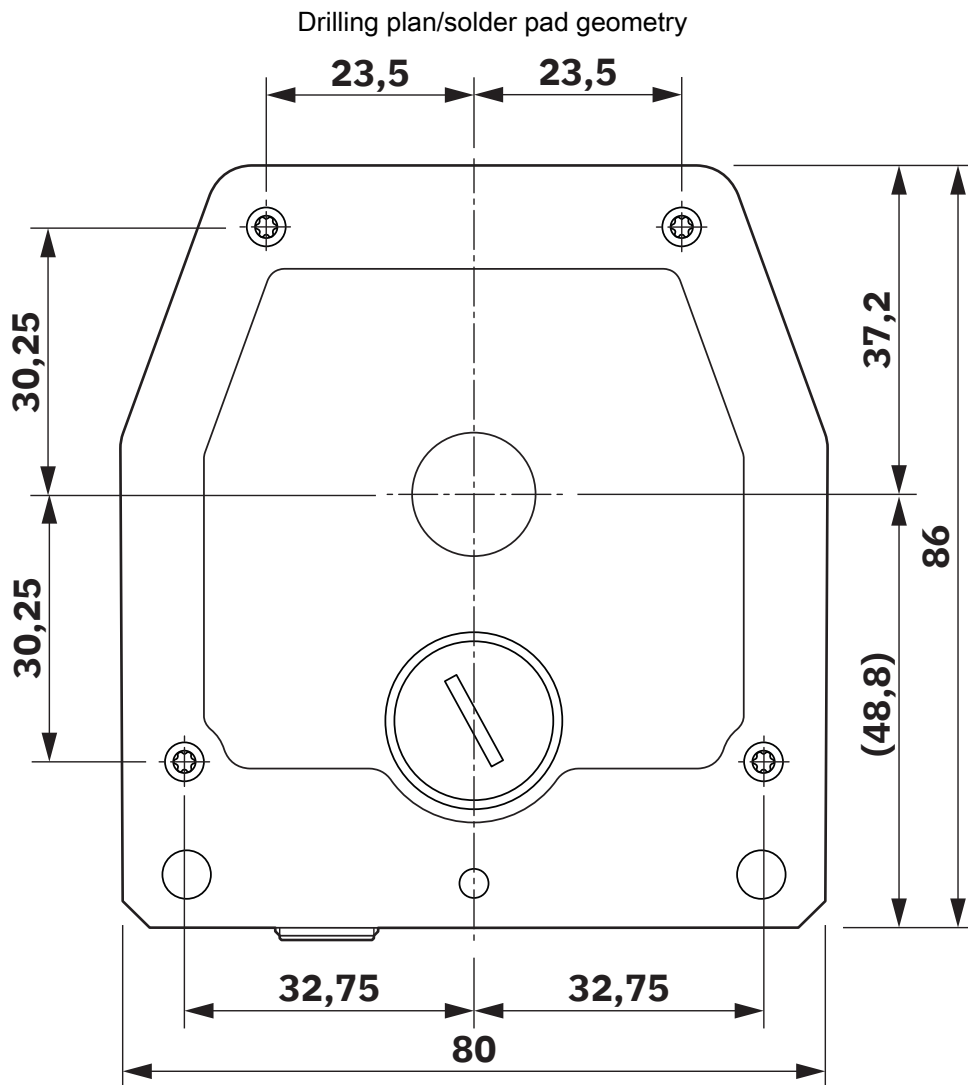


Drilling diagram

# NEARFI P 2A B - Inductive coupler

1234226

<https://www.phoenixcontact.com/us/products/1234226>



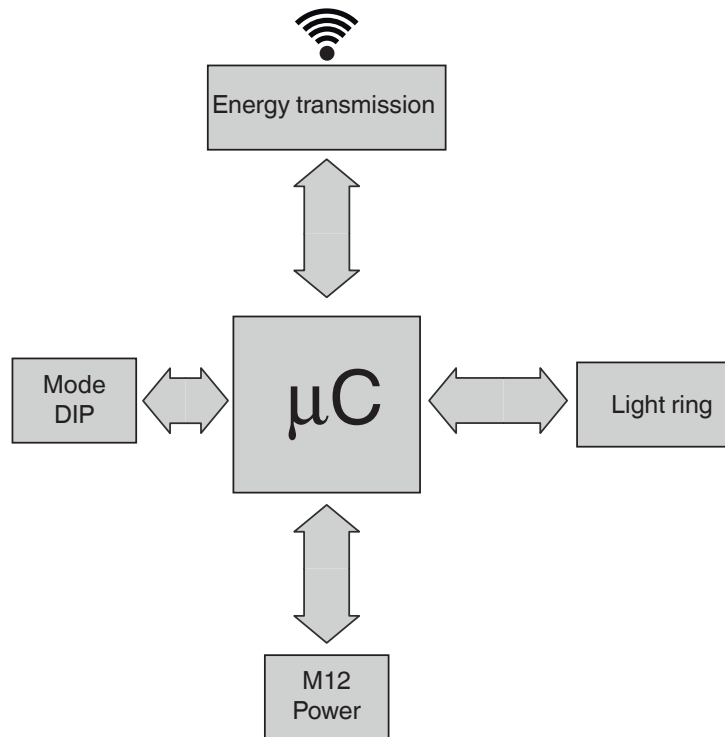
Centering template

# NEARFI P 2A B - Inductive coupler

1234226

<https://www.phoenixcontact.com/us/products/1234226>

Block diagram



Basic circuit diagram

# NEARFI P 2A B - Inductive coupler



1234226

<https://www.phoenixcontact.com/us/products/1234226>

## Approvals

To download certificates, visit the product detail page: <https://www.phoenixcontact.com/us/products/1234226>

### FCC

Approval ID: YG3P2AB



### KC

Approval ID: R-R-PCK-1234232



### cULus Listed

Approval ID: E238705

# NEARFI P 2A B - Inductive coupler



1234226

<https://www.phoenixcontact.com/us/products/1234226>

## Classifications

### ECLASS

ECLASS-13.0	27040701
ECLASS-15.0	19170417

### ETIM

ETIM 9.0	EC002540
----------	----------

### UNSPSC

UNSPSC 21.0	39121000
-------------	----------

# NEARFI P 2A B - Inductive coupler



1234226

<https://www.phoenixcontact.com/us/products/1234226>

## Environmental product compliance

### EU RoHS

Fulfills EU RoHS substance requirements	Yes
Exemption	6(c)

### China RoHS

Environment friendly use period (EFUP)	EFUP-50
	An article-related China RoHS declaration table can be found in the download area for the respective article under "Manufacturer declaration". For all articles with EFUP-E, no China RoHS declaration table issued and required.

### EU REACH SVHC

REACH candidate substance (CAS No.)	Lead(CAS: 7439-92-1)
SCIP	829f68e1-ba51-4964-aec3-c88a84bf1863

Phoenix Contact 2026 © - all rights reserved

<https://www.phoenixcontact.com>

Phoenix Contact USA  
586 Fulling Mill Road  
Middletown, PA 17057, United States  
(+717) 944-1300  
[info@phoenixcon.com](mailto:info@phoenixcon.com)