

NEARFI PD 2A ETH B - Inductive coupler



1234224

<https://www.phoenixcontact.com/us/products/1234224>

Please be informed that the data shown in this PDF document is generated from our online catalog. Please find the complete data in the user documentation. Our general terms of use for downloads are valid.



NearFi base, contactless power and real-time Ethernet coupler, 50 W (US), 100 Mbps, range ≤ 10 mm, M12 screw connection, IP65, can be combined with NEARFI PD 2A ETH R. Incompatible with NEARFI 2200 (new)

Product description

With the robust NEARFI-PD... NearFi couplers, you can transmit power (24 V DC / 2 A) and real-time Ethernet data (100 Mbps, full duplex) without contact across a distance in the centimeter range. Furthermore, the specially developed NearFi technology enables latency-free and protocol-independent Ethernet communication. At the same time, the limited wireless range of just a few centimeters also ensures security and permits parallel applications in the tightest of spaces. You can therefore replace wear-sensitive and maintenance-intensive connections and reduce downtimes in your systems.

Your advantages

- Contactless - and therefore no wear and no maintenance
- Protocol-independent, latency-free Ethernet real-time communication with 100 Mbps (full duplex)
- High power in a compact housing
- All-round visible diagnostics with light ring on the housing
- High degree of mounting freedom with flexible proximity options
- Plug and Play - as easy as a plug
- Degree of protection IP65

Commercial data

Item number	1234224
Packing unit	1 pc
Minimum order quantity	1 pc
Sales key	DN26
Product key	DNC691
GTIN	4063151337919
Weight per piece (including packing)	598.2 g
Weight per piece (excluding packing)	550 g
Customs tariff number	85176200
Country of origin	DE

NEARFI PD 2A ETH B - Inductive coupler



1234224

<https://www.phoenixcontact.com/us/products/1234224>

Technical data

Product properties

Product type	Inductive coupler
Product family	NearFi
Application	Ethernet Power
MTTF	115 Years (SN 29500 standard, temperature 25°C, operating cycle 21%) 60 Years (SN 29500 standard, temperature 40°C, operating cycle 34.25%) 27 Years (SN 29500 standard, temperature 40°C, operating cycle 100%)

Insulation characteristics

Overvoltage category	II
Pollution degree	2

Electrical properties

Maximum power dissipation for nominal condition	4.08 W
---	--------

Supply

Supply voltage range	19 V DC ... 30 V DC
Typical current consumption	170 mA (without remote coupler, at 24 V DC, at 25°C) 480 mA (with remote coupler, without load, at 24 V DC, at 25°C)
Max. current consumption	≤ 3.6 A (with remote coupler, 2 A load, input voltage of 19 V DC)
Inrush current	≤ 0.8 A (8 ms at 24 V DC, without remote coupler) ≤ 4.5 A (6 ms at 24 V DC, with remote coupler, without load)
Protective circuit	Transient protection, polarity protection

Input data

Digital

Description of the input	Digital input
Number of inputs	1
Voltage input signal	19 V DC ... 30 V DC
Switching level "1" signal	19 V DC ... 30 V DC

Output data

Signal

Output name	Digital output
Number of outputs	1
Voltage output signal	≤ 24 V DC

Connection data

NEARFI PD 2A ETH B - Inductive coupler



1234224

<https://www.phoenixcontact.com/us/products/1234224>

Supply

Connection method	M12 male, A-coded
-------------------	-------------------

Interfaces

Data: Ethernet interface, 100Base-T(X) in accordance with IEEE 802.3

Transmission speed	100 Mbps
Connection method	M12 female, D-coded
Note on the connection method	Auto negotiation and autocrossing, fast startup (FSU, <500 ms) Typical bit error rate $\leq 10^{-12}$
No. of channels	1
Transmission length	100 m (shielded twisted pair)
Transmission medium	Copper
Protocols supported	Protocol transparent: PROFINET, PROFINET IRT, PROFI-safe, EtherCAT®, Modbus/TCP, Powerlink, TSN, etc.

Inductive: Power transmission

Switch-on time	< 450 ms (ETH Full Duplex operating mode)
Range	min. 0 mm ≤ 10 mm (at 55°C) ≤ 12 mm (at 25 °C)
Center offset	± 5 mm
Wireless modules that can be connected	1 (Remote coupler)
Frequency range	100 kHz ... 148.5 kHz (Power transmission)
Test field strength	~ 1.95 μ A/m (within 10 m distance)

Wireless

Wireless modules that can be connected	1 (Remote coupler)
Frequency	60 GHz
Frequency range	57 GHz ... 64 GHz (Data transmission)
Transmission power	< 10 mW (EIRP)
Delay time	≤ 1 μ s (typical)

Dimensions

Dimensional drawing	
Width	80 mm
Height	86 mm
Depth	39 mm

NEARFI PD 2A ETH B - Inductive coupler



1234224

<https://www.phoenixcontact.com/us/products/1234224>

Material specifications

Color (Housing)	black (RAL 9005)
Material (Enclosure)	PBT
	Die-cast zinc
Flammability rating according to UL 94	V0

Cable/line

Other resistance	Resistant to welding splashes
------------------	-------------------------------

Mechanical tests

Vibration resistance in accordance with EN 60068-2-6/IEC 60068-2-6	Operation: 5 g per spatial direction, 10 Hz ... 150 Hz, amplitude ± 0.34 mm
Shock in accordance with EN 60068-2-27/IEC 60068-2-27	Operation: 30 g, 11 ms duration, half-sine shock pulse, three shocks per spatial direction
Continuous shock in accordance with EN 60068-2-27/IEC 60068-2-27	Operation: 10 g, 16 ms duration, half-sine shock pulse, 1,000 shocks per spatial direction

Environmental and real-life conditions

Ambient conditions

Degree of protection	IP65 (Manufacturer's declaration)
Impact strength	IK06
Ambient temperature (operation)	-20 °C ... 55 °C (observe derating)
Ambient temperature (storage/transport)	-40 °C ... 85 °C
Altitude	2000 m
Permissible humidity (operation)	10 % ... 95 %
Permissible humidity (storage/transport)	10 % ... 95 %
Air pressure (operation)	80 kPa ... 108 kPa (up to 2000 m above sea level)
Air pressure (storage/transport)	66 kPa ... 108 kPa (up to 3500 m above sea level)

Test (Salt spray)

Test standard	IEC 60068-2-11
Test duration (Total)	96 h

Approvals

CE

Certificate	CE-compliant
-------------	--------------

Wireless approval, Europe

Note	RED 2014/53/EU
------	----------------

UL, USA

Identification	UL 61010 Recognized
	UL 61010-2-201, 2nd Edition
	UL 61010-1, 3rd Edition
Certificate	E238705

NEARFI PD 2A ETH B - Inductive coupler



1234224

<https://www.phoenixcontact.com/us/products/1234224>

UL, Canada

Identification	cUL 61010 Recognized
	CSA C22.2 NO. 61010-2-201:18, 2nd Edition
	CSA C22.2 NO. 61010-1, 3rd Edition
Certificate	E238705

Wireless approval USA, FCC

Certificate	YG3PD2AETHB
-------------	-------------

Wireless approval Japan, MIC

Identification	006-001058
----------------	------------

KC approval for South Korea

Certificate	R-R-PCK-1234232
-------------	-----------------

CC-Link IE TSN

Identification	Class A
----------------	---------

EMC data

Electromagnetic compatibility	Conformance with EMC Directive 2014/30/EU
-------------------------------	---

Electrostatic discharge

Standards/regulations	EN 61000-4-2
-----------------------	--------------

Electrostatic discharge

Contact discharge	± 4 kV (Test Level 2)
Discharge in air	± 8 kV (Test Level 3)
Comments	Criterion B

Electromagnetic HF field

Standards/regulations	EN 61000-4-3
-----------------------	--------------

Electromagnetic HF field

Frequency range	80 MHz ... 1 GHz (Test Level 3)
Field intensity	10 V/m
Comments	Criterion A

Fast transients (burst)

Standards/regulations	EN 61000-4-4
-----------------------	--------------

Fast transients (burst)

Input	± 2 kV (Test Level 3 - asymmetrical)
Output	± 2 kV (Test Level 3 - asymmetrical)
Signal	± 2 kV (Test Level 3 - asymmetrical)
Comments	Criterion B

Surge current load (surge)

Standards/regulations	EN 61000-4-5
-----------------------	--------------

NEARFI PD 2A ETH B - Inductive coupler



1234224

<https://www.phoenixcontact.com/us/products/1234224>

Surge current load (surge)

Input	± 0.5 kV (Test Level 1 - symmetrical) ± 1 kV (Test Level 2 - asymmetrical)
Output	± 1 kV (Test Level 2 - asymmetrical)
Signal	± 1 kV (Test Level 2 - asymmetrical)
Comments	Criterion B

Conducted interference

Standards/regulations	EN 61000-4-6
-----------------------	--------------

Conducted interference

Frequency range	0.15 MHz ... 80 MHz (Test Level 3 - asymmetrical)
Comments	Criterion A
Voltage	10 V (80% amplitude modulation with 1 kHz)

Emitted interference

Standards/regulations	EN 55016-2-3
Comments	Class A, industrial applications

Criteria

Criterion A	Normal operating behavior within the specified limits.
Criterion B	Temporary impairment to operational behavior that is corrected by the device itself.

Standards and regulations

Free from substances that could impair the application of coating	VDMA 24364:2018-05
Other resistance	Resistant to welding splashes
Standards/regulations	EN 60204-1 (PELV)
Standard designation	Protective extra-low voltage

Mounting

Mounting type	Panel mounting
Assembly note	Observe derating
Mounting position	any

NEARFI PD 2A ETH B - Inductive coupler

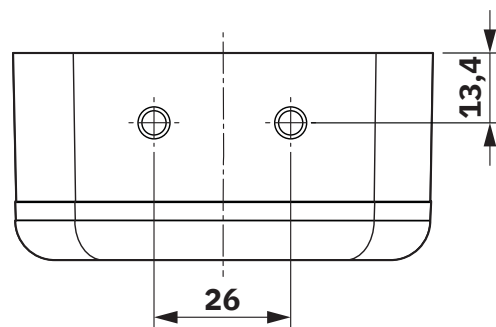
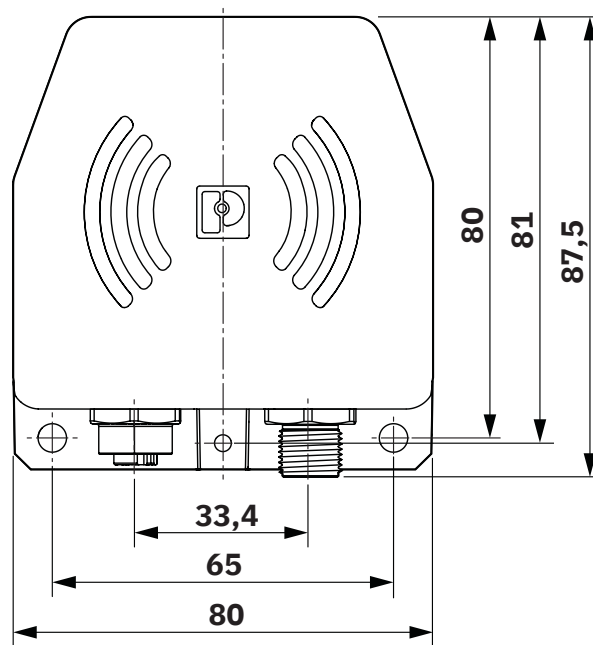
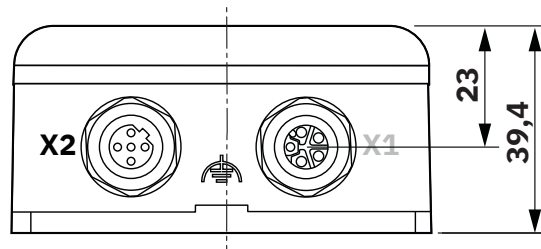
1234224

<https://www.phoenixcontact.com/us/products/1234224>



Drawings

Dimensional drawing



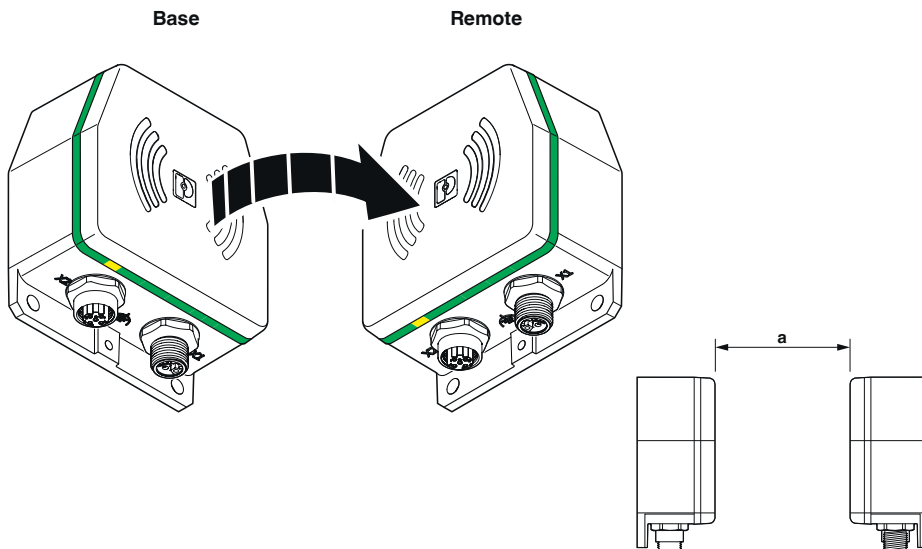
Dimensional drawing

NEARFI PD 2A ETH B - Inductive coupler

1234224

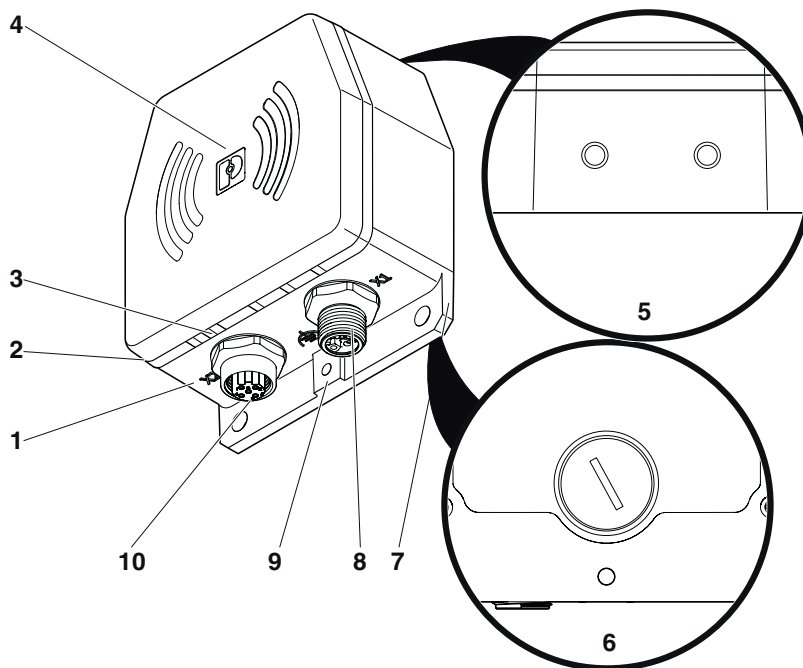
<https://www.phoenixcontact.com/us/products/1234224>

Schematic diagram



Method of operation

Schematic diagram



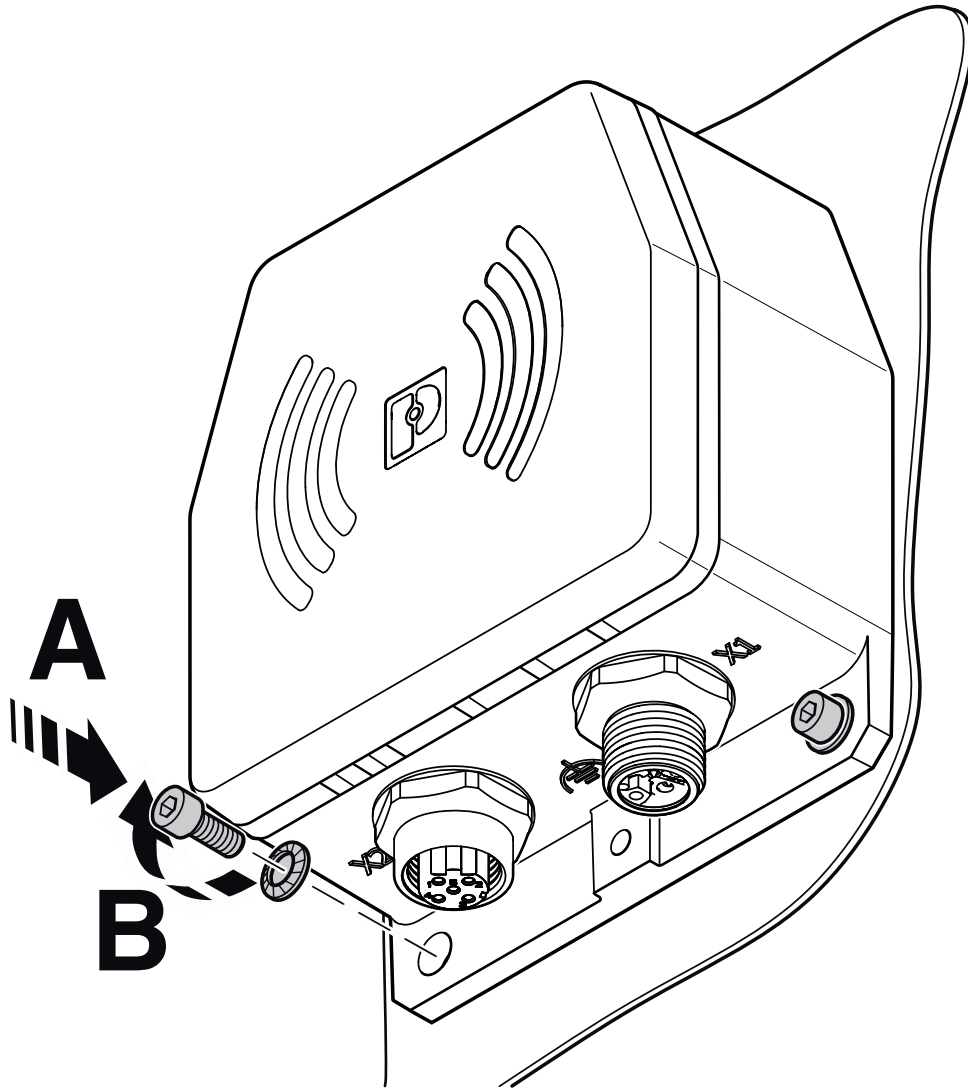
Function elements

NEARFI PD 2A ETH B - Inductive coupler

1234224

<https://www.phoenixcontact.com/us/products/1234224>

Schematic diagram



Mounting with two screws

NEARFI PD 2A ETH B - Inductive coupler

1234224

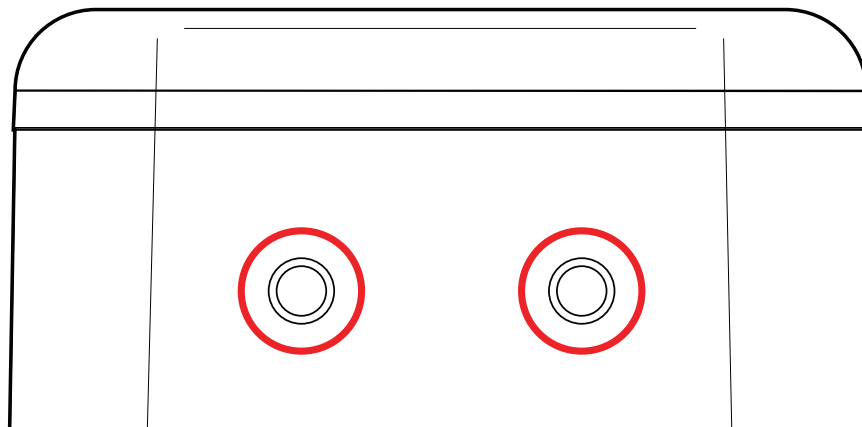
<https://www.phoenixcontact.com/us/products/1234224>

Schematic diagram



Mounting with four screws

Schematic diagram



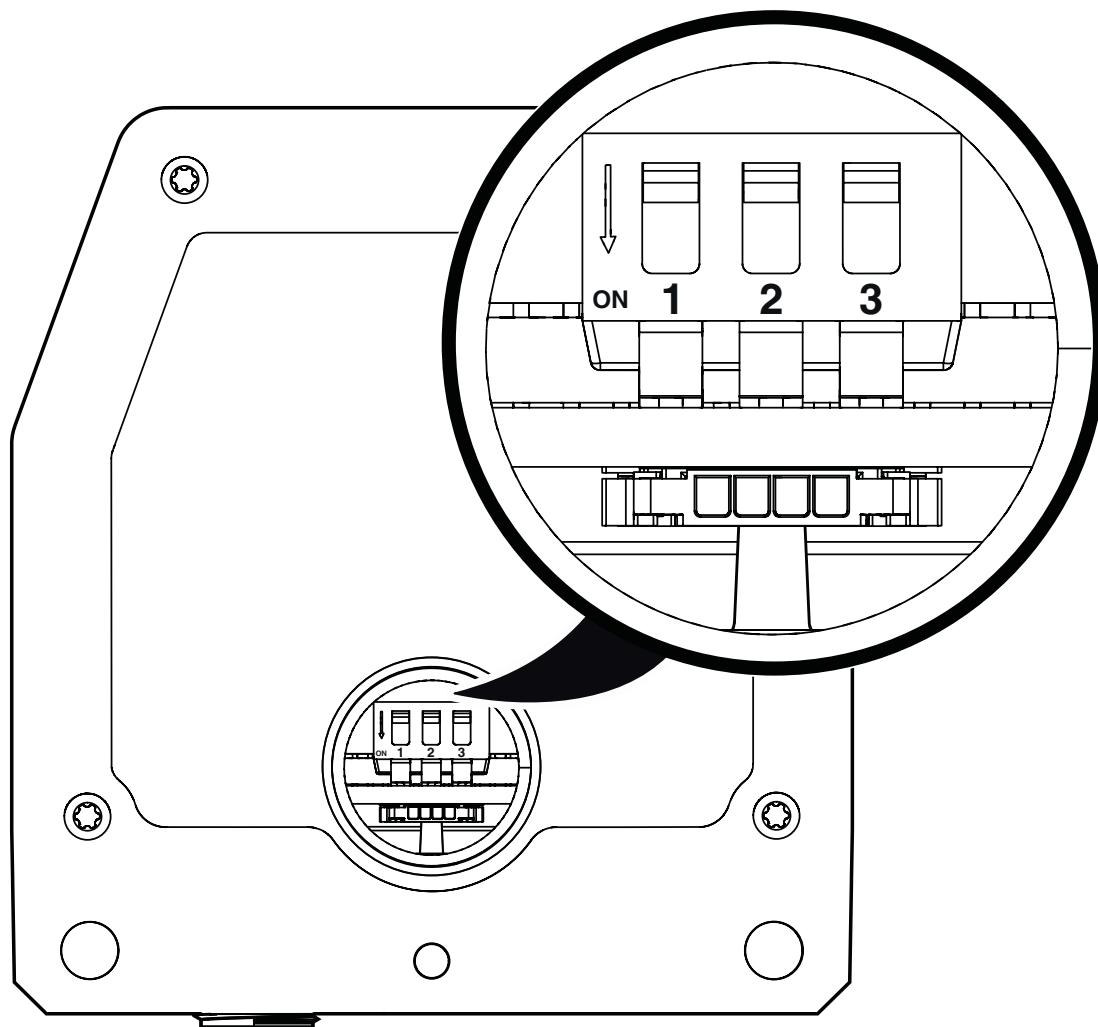
Mounting option

NEARFI PD 2A ETH B - Inductive coupler

1234224

<https://www.phoenixcontact.com/us/products/1234224>

Schematic diagram



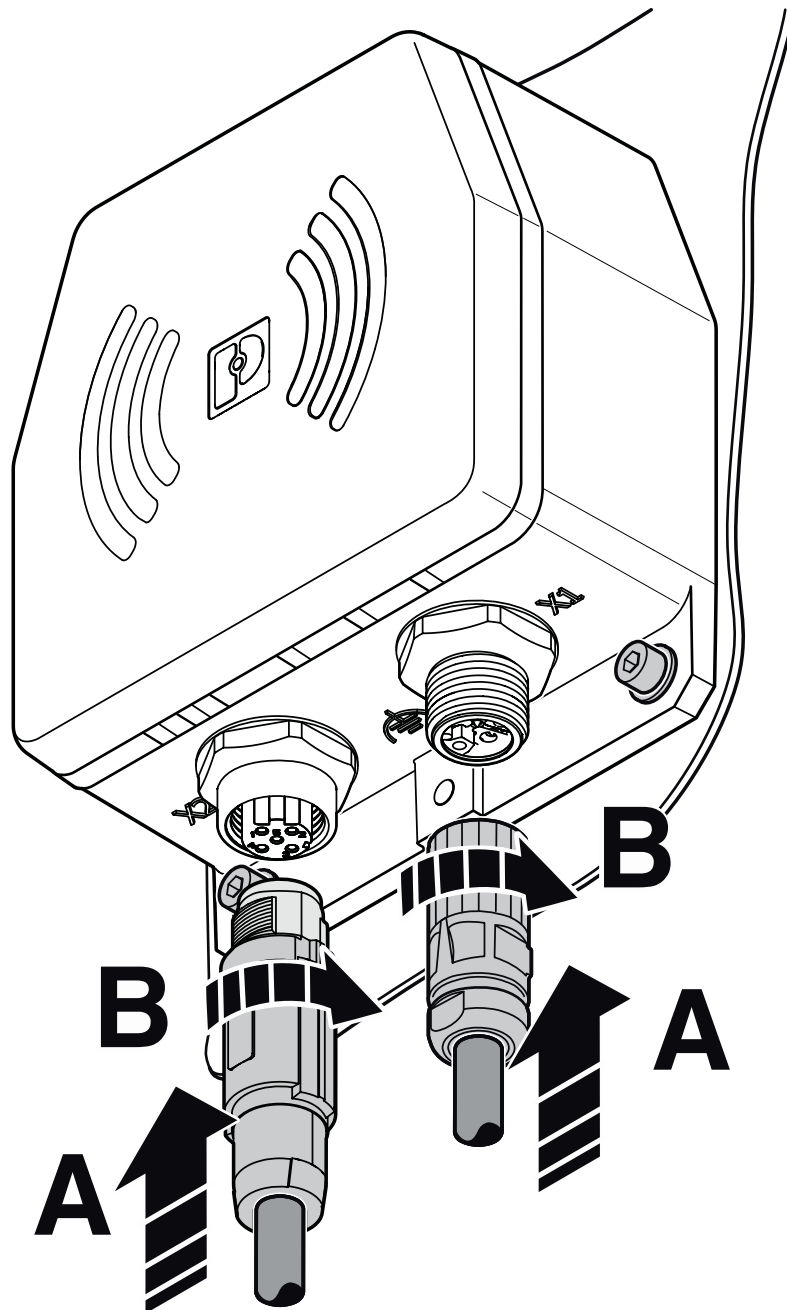
DIP switches

NEARFI PD 2A ETH B - Inductive coupler

1234224

<https://www.phoenixcontact.com/us/products/1234224>

Schematic diagram



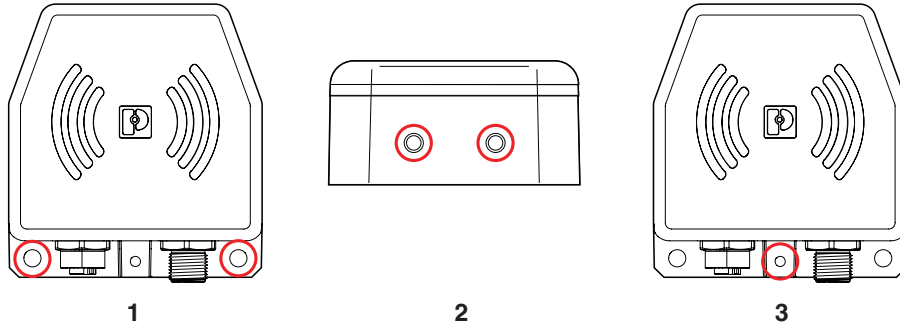
Connecting the cables

NEARFI PD 2A ETH B - Inductive coupler

1234224

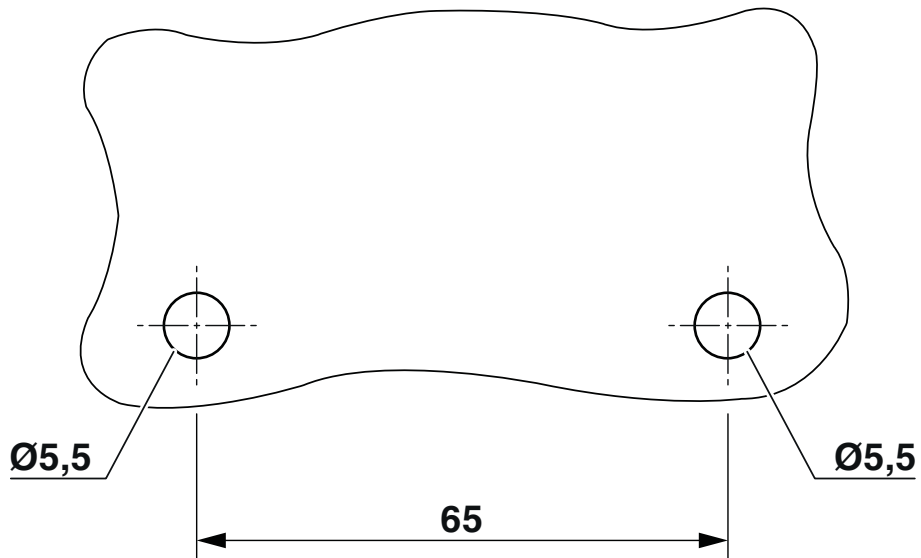
<https://www.phoenixcontact.com/us/products/1234224>

Schematic diagram



Options for functional grounding

Drilling plan/solder pad geometry



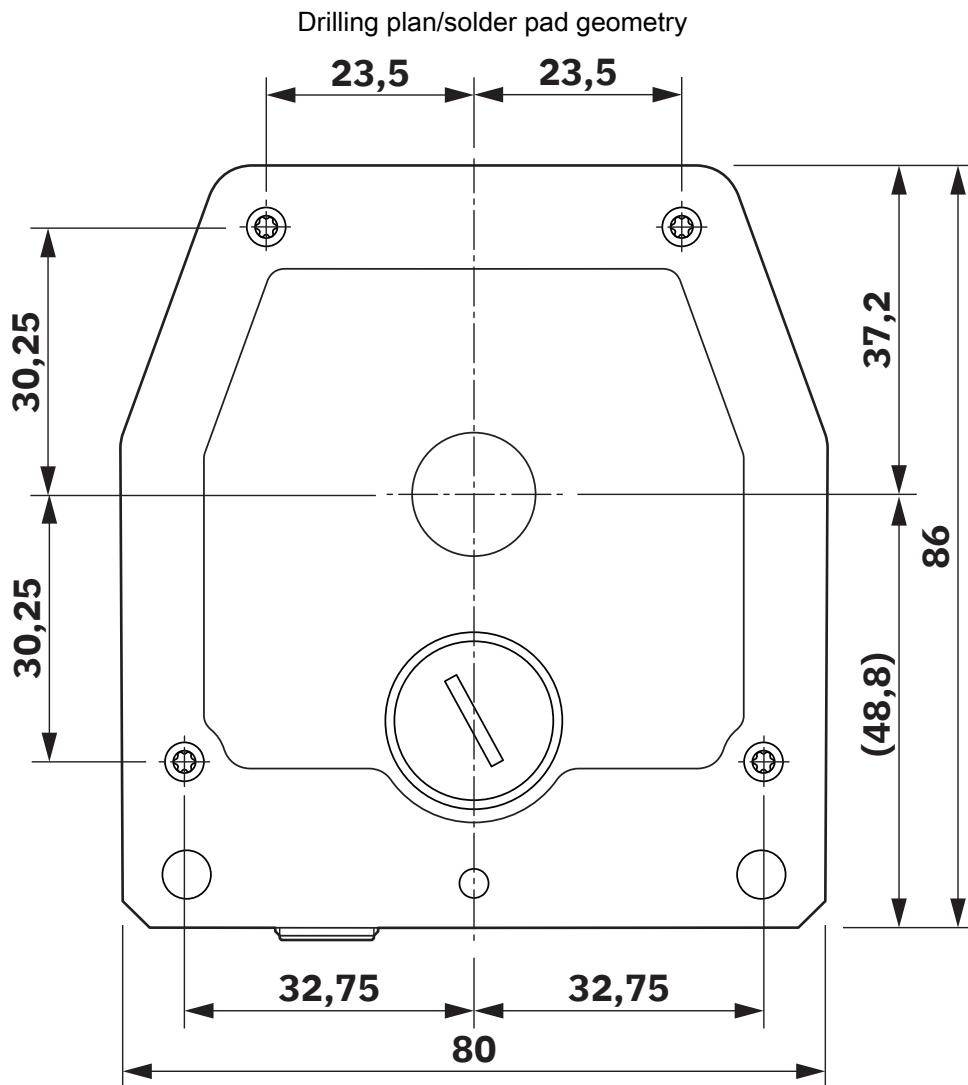
Drilling diagram

NEARFI PD 2A ETH B - Inductive coupler



1234224

<https://www.phoenixcontact.com/us/products/1234224>



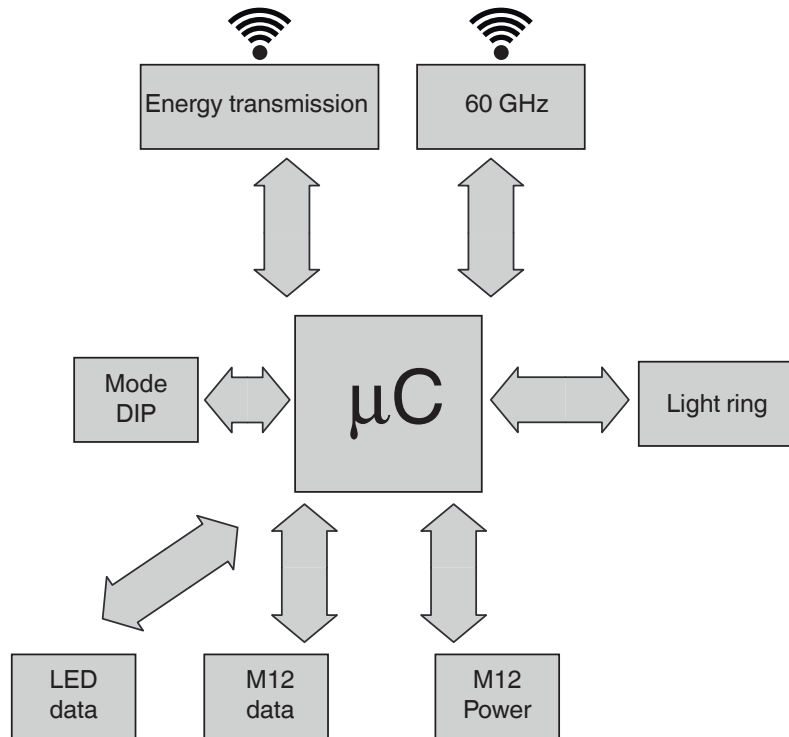
Centering template

NEARFI PD 2A ETH B - Inductive coupler

1234224

<https://www.phoenixcontact.com/us/products/1234224>

Block diagram



Basic circuit diagram

NEARFI PD 2A ETH B - Inductive coupler



1234224

<https://www.phoenixcontact.com/us/products/1234224>

Approvals

To download certificates, visit the product detail page: <https://www.phoenixcontact.com/us/products/1234224>



MIC

Approval ID: 006-001058



cULus Recognized

Approval ID: E238705



KC

Approval ID: R-R-PCK-1234232

FCC

Approval ID: YG3PD2AETHB

NEARFI PD 2A ETH B - Inductive coupler



1234224

<https://www.phoenixcontact.com/us/products/1234224>

Classifications

ECLASS

ECLASS-13.0	27040701
ECLASS-15.0	19170417

ETIM

ETIM 10.0	EC001467
-----------	----------

UNSPSC

UNSPSC 21.0	39121000
-------------	----------

NEARFI PD 2A ETH B - Inductive coupler



1234224

<https://www.phoenixcontact.com/us/products/1234224>

Environmental product compliance

EU RoHS

Fulfills EU RoHS substance requirements	Yes
Exemption	6(c)

China RoHS

Environment friendly use period (EFUP)	EFUP-50
	An article-related China RoHS declaration table can be found in the download area for the respective article under "Manufacturer declaration". For all articles with EFUP-E, no China RoHS declaration table issued and required.

EU REACH SVHC

REACH candidate substance (CAS No.)	Lead(CAS: 7439-92-1)
SCIP	d92acee4-1886-4061-b33b-27dc6f8a5818

Phoenix Contact 2026 © - all rights reserved

<https://www.phoenixcontact.com>

Phoenix Contact USA
586 Fulling Mill Road
Middletown, PA 17057, United States
(+717) 944-1300
info@phoenixcon.com