

UCS WM-MP 125-87 7035 - Adapter plate



1225407

<https://www.phoenixcontact.com/us/products/1225407>

Please be informed that the data shown in this PDF document is generated from our online catalog. Please find the complete data in the user documentation. Our general terms of use for downloads are valid.

Adapter for attaching UCS housings in size 125-87 to the wall, to VESA standard brackets, and to wall outlet boxes, housing is snapped on, material: polycarbonate, color: light gray, similar to RAL 7035



Your advantages

- Flexible in use: Only one bracket for the widest range of applications
- No tools required: UCS housings simply snap on
- Wide range of applications: Use on mounts in accordance with the VESA standard and on cavity sockets with a diameter of 60 mm

Commercial data

Item number	1225407
Packing unit	1 pc
Minimum order quantity	1 pc
Sales key	AC03
Product key	ACFCAZ
GTIN	4063151317232
Weight per piece (including packing)	69.35 g
Weight per piece (excluding packing)	48.8 g
Customs tariff number	84879090
Country of origin	CN

UCS WM-MP 125-87 7035 - Adapter plate

1225407

<https://www.phoenixcontact.com/us/products/1225407>

Technical data

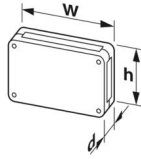
Notes

Assembly note	Please observe the assembly instructions available in the download area.
---------------	--

Product properties

Product type	Adapter plate
Housing type	Universal housings
Housing series	UCS
Product family	UCS 125-87

Dimensions

Dimensional drawing	
Width	128.3 mm
Height	94.8 mm
Depth	17.9 mm

Material specifications

Color (Housing)	light gray (RAL 7035)
Material	PC
Flammability rating according to UL 94	V0
CTI according to IEC 60112	225
Insulating material	PC

Environmental and real-life conditions

Vibration test

Specification	IEC 60068-2-6:2007-12
Frequency	10 - 150 - 10 Hz
Sweep speed	1 octave/min
Amplitude	0.15 mm (10 Hz ... 58.1 Hz)
Acceleration	2g (58.1 Hz ... 150 Hz)
Test duration per axis	2.5 h
Test directions	X-, Y- and Z-axis

Glow-wire test

Specification	IEC 60695-2-11:2014-02
Temperature	850 °C
Time of exposure	30 s

UCS WM-MP 125-87 7035 - Adapter plate



1225407

<https://www.phoenixcontact.com/us/products/1225407>

Thermal stability / ball thrust test

Specification	IEC 60695-10-2:2014-02
Temperature	125 °C
Test duration	1 h
Force	20 N

Mechanical strength / tumbling barrel

Specification	IEC 60068-2-31:2008-05
Height of fall	50 cm
Frequency	50

Shocks

Specification	IEC 60068-2-27:2008-02
Pulse shape	Half-sine
Acceleration	15g
Shock duration	11 ms
Number of shocks per direction	3
Test directions	X-, Y- and Z-axis (pos. and neg.)

Test for substances that would hinder coating with paint or varnish

Specification	VW PV 3.10.7:2005-02
Result	Test passed

Ambient conditions

Ambient temperature (operation)	-40 °C ... 105 °C
Ambient temperature (storage/transport)	-40 °C ... 70 °C
Ambient temperature (assembly)	-5 °C ... 100 °C
Relative humidity (storage/transport)	95 %

Mounting

Mounting type	Screw mounting
---------------	----------------

Packaging specifications

Type of packaging	Box packaging
-------------------	---------------

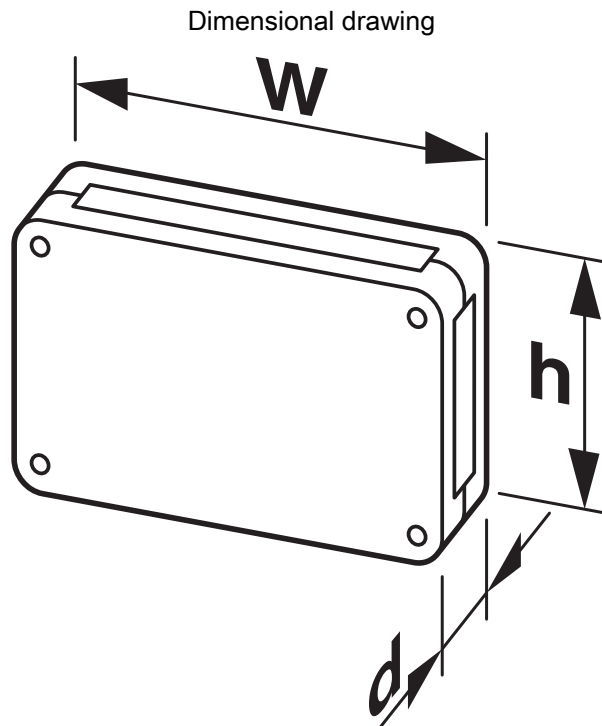
UCS WM-MP 125-87 7035 - Adapter plate

1225407

<https://www.phoenixcontact.com/us/products/1225407>



Drawings



Schematic representation – for additional information, see product range drawing in the Download Center

UCS WM-MP 125-87 7035 - Adapter plate



1225407

<https://www.phoenixcontact.com/us/products/1225407>

Approvals

To download certificates, visit the product detail page: <https://www.phoenixcontact.com/us/products/1225407>



UL Recognized

Approval ID: E240868

UCS WM-MP 125-87 7035 - Adapter plate



1225407

<https://www.phoenixcontact.com/us/products/1225407>

Classifications

ECLASS

ECLASS-13.0	27190605
ECLASS-15.0	27190605

ETIM

ETIM 10.0	EC002779
-----------	----------

UNSPSC

UNSPSC 21.0	31261500
-------------	----------

UCS WM-MP 125-87 7035 - Adapter plate



1225407

<https://www.phoenixcontact.com/us/products/1225407>

Environmental product compliance

EU RoHS

Fulfills EU RoHS substance requirements	Yes, No exemptions
---	--------------------

China RoHS

Environment friendly use period (EFUP)	EFUP-E
	No hazardous substances above the limits

EU REACH SVHC

REACH candidate substance (CAS No.)	Perfluorobutane sulfonic acid (PFBS) and its salts(CAS: n/a)
-------------------------------------	--

EF3.1 Climate Change

CO2e kg	0.388 kg CO2e
---------	---------------

Phoenix Contact 2026 © - all rights reserved
<https://www.phoenixcontact.com>

Phoenix Contact USA
586 Fulling Mill Road
Middletown, PA 17057, United States
(+717) 944-1300
info@phoenixcon.com