

# ERS 1000-R BK - Room operating panel



1222439

<https://www.phoenixcontact.com/us/products/1222439>

Please be informed that the data shown in this PDF document is generated from our online catalog. Please find the complete data in the user documentation. Our general terms of use for downloads are valid.



The product photo shows a variant of the item

Emalytics Room Switch - compact operating panel for room functions such as lighting, shading, and temperature settings. With two RJ45 connections and integrated Ethernet switch. Free driver for integration into the Niagara Framework.

## Product description

The flexibly configurable ERS 1000 room operator panel is suitable for installation in many standard switch programs. The device can be combined with various sensors as an option. It is operated with an intuitive menu navigation via the color display and short-stroke keys. The ERS 1000 is controlled via a driver for the Niagara Framework. The software for operation and configuration is free of charge and can be downloaded via the Niagara Marketplace and via the Emalytics installations of the ILC 2050 BI.

## Your advantages

- A single operating panel for a wide range of room functions
- Intuitive operation with color display and short-stroke keys
- Special functions such as scenario control and information display
- Integration into the IT infrastructure via Ethernet interface
- Easy connection and configuration in the Emalytics building management system
- Room climate measurement with extension with sensor modules
- Power supply via Ethernet

## Commercial data

Item number	1222439
Packing unit	1 pc
Minimum order quantity	1 pc
Product key	DRHAEA
GTIN	4063151311155
Weight per piece (including packing)	139.1 g
Weight per piece (excluding packing)	92 g
Country of origin	AT

## Technical data

### Notes

#### Note on application

Note on application	Only for industrial use
---------------------	-------------------------

### Product properties

Product type	Room operator panel
--------------	---------------------

#### Insulation characteristics

Protection class	III
------------------	-----

#### Computer data

Audio	integrated speakers
Keys	4
Extras	Brightness sensor
	Proximity sensor

#### Display

Display type	4.6 cm / 1.8"-TFT
--------------	-------------------

### Electrical properties

Maximum power dissipation for nominal condition	2.4 W
---	-------

#### Supply

Supply voltage	48 V DC
----------------	---------

### Interfaces

Network	2x Ethernet (10/100 Mbps), RJ45
---------	---------------------------------

### Dimensions

#### Installation dimensions

Width / Height / Installation depth	56 mm / 56 mm / 50 mm (Installation in flush-type socket)
-------------------------------------	---

### Material specifications

Color (Actuating element)	black (RAL 9005)
---------------------------	------------------

### Environmental and real-life conditions

#### Ambient conditions

Degree of protection	IP30
Ambient temperature (operation)	-10 °C ... 40 °C
Ambient temperature (storage/transport)	-30 °C ... 80 °C

### Mounting

Mounting type	Flush-type socket
---------------	-------------------

# ERS 1000-R BK - Room operating panel

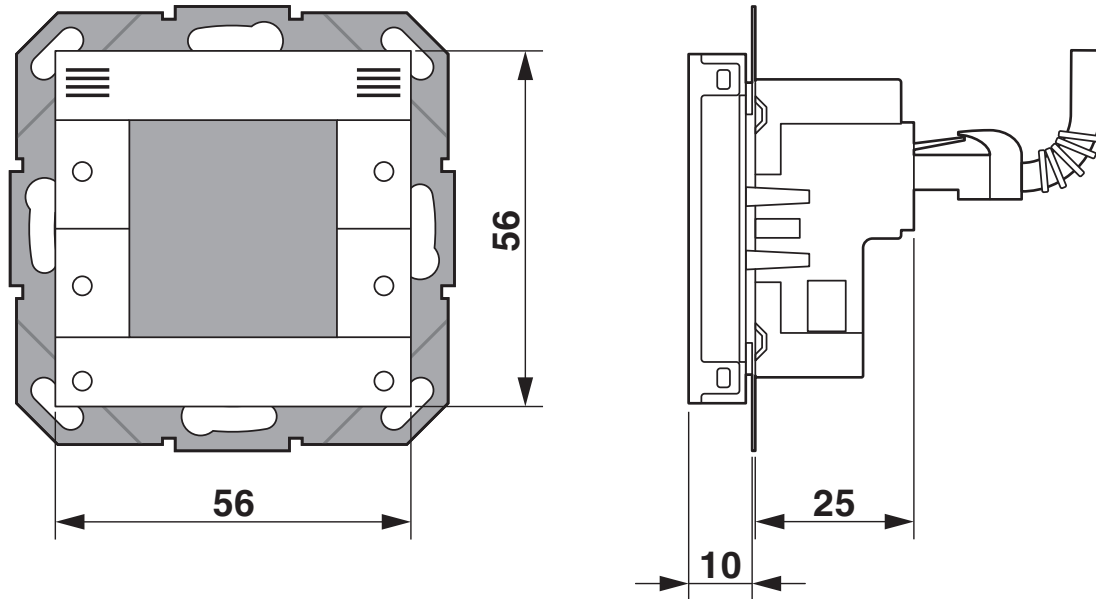


1222439

<https://www.phoenixcontact.com/us/products/1222439>

## Drawings

Dimensional drawing



# ERS 1000-R BK - Room operating panel



1222439

<https://www.phoenixcontact.com/us/products/1222439>

## Classifications

### ECLASS

ECLASS-13.0

27330201

### ETIM

ETIM 9.0

EC001412

### UNSPSC

UNSPSC 21.0

43211900

# ERS 1000-R BK - Room operating panel



1222439

<https://www.phoenixcontact.com/us/products/1222439>

## Environmental product compliance

### EU RoHS

Fulfills EU RoHS substance requirements	Yes, No exemptions
---	--------------------

### China RoHS

Environment friendly use period (EFUP)	EFUP-E
	No hazardous substances above the limits

### EU REACH SVHC

REACH candidate substance (CAS No.)	No substance above 0.1 wt%
-------------------------------------	----------------------------

Phoenix Contact 2026 © - all rights reserved  
<https://www.phoenixcontact.com>

Phoenix Contact USA  
586 Fulling Mill Road  
Middletown, PA 17057, United States  
(+717) 944-1300  
[info@phoenixcon.com](mailto:info@phoenixcon.com)