

PSR-ESS-ACC-CB1-C3 - Module holder



1221747

<https://www.phoenixcontact.com/us/products/1221747>

Please be informed that the data shown in this PDF document is generated from our online catalog. Please find the complete data in the user documentation. Our general terms of use for downloads are valid.



Module holder for modular emergency stop switches, connects the contact block and actuator with bayonet lock, suitable for 3 elements

Product description

Phoenix Contact emergency stop switches are electromechanical switching devices with a safety function. They are used to safely shut down or stop machines and systems in order to prevent or minimize personal injury and property damage. The portfolio includes a modular system as well as a preconfigured solution. The modular emergency stop switch is comprised of the following components: - PSR-ESS-M0-H100 /...110 / ...120 actuator - PSR-ESS-ACC-CB1-C... module holder - PSR-ESS-ACC-CB1-NC-SC or PSR-ESS-ACC-CB1-SM-SC safe contact module Further contact modules can be combined if required.

Your advantages

- Modular system allows an efficient solution for individual applications
- Bayonet lock allows tool-free connection with the actuator

Commercial data

Item number	1221747
Packing unit	1 pc
Minimum order quantity	1 pc
Sales key	DN04
Product key	DNA62Z
GTIN	4063151309954
Weight per piece (including packing)	17.9 g
Weight per piece (excluding packing)	13.4 g
Customs tariff number	85389099
Country of origin	DE

1221747

<https://www.phoenixcontact.com/us/products/1221747>

Technical data

Notes

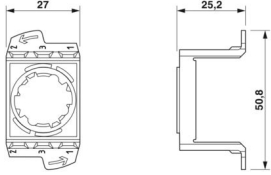
Note on application

Note on application	Only for industrial use
---------------------	-------------------------

Product properties

Product type	Module holder
Product family	Modular emergency stop switches
Application	Holder for 3 elements
Number	3 (PSR-ESS elements)

Dimensions

Dimensional drawing	
Width	27 mm
Height	50.8 mm
Depth	25.2 mm

Material specifications

Color	black (RAL 9005)
Material	PA
Flammability rating according to UL 94	V2

Environmental and real-life conditions

Ambient conditions

Ambient temperature (operation)	-30 °C ... 85 °C (Observe the ambient temperature of the actuators and contact modules used)
Ambient temperature (storage/transport)	-50 °C ... 85 °C
Maximum altitude	max. 2000 m (Above sea level)
Shock	15g / 11 ms, in accordance with IEC 60068-2-27
Vibration (operation)	10 Hz ... 500 Hz, 0.35 mm amplitude, 5g, in accordance with IEC 60068-2-6

Mounting

Mounting position	any
Mounting hole diameter	22.30 mm

PSR-ESS-ACC-CB1-C3 - Module holder

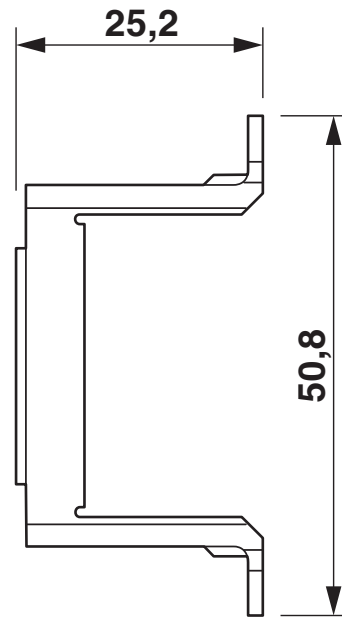
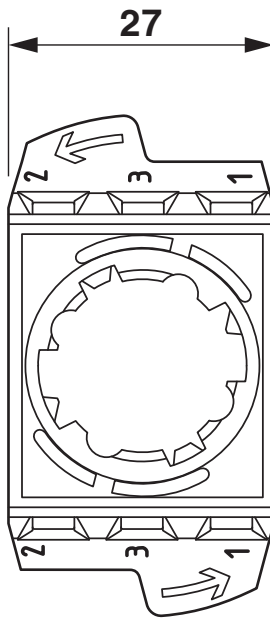


1221747

<https://www.phoenixcontact.com/us/products/1221747>

Drawings

Dimensional drawing



Dimensions (in mm)

1221747

<https://www.phoenixcontact.com/us/products/1221747>

Approvals

🔗 To download certificates, visit the product detail page: <https://www.phoenixcontact.com/us/products/1221747>



UL Listed

Approval ID: E140324



cUL Listed

Approval ID: E140324



Functional Safety

Approval ID: B 029429 0031 Rev01

1221747

<https://www.phoenixcontact.com/us/products/1221747>

Classifications

ECLASS

ECLASS-13.0	27371226
ECLASS-15.0	27371226

ETIM

ETIM 10.0	EC001020
-----------	----------

UNSPSC

UNSPSC 21.0	31163000
-------------	----------

1221747

<https://www.phoenixcontact.com/us/products/1221747>

Environmental product compliance

EU RoHS

Fulfills EU RoHS substance requirements	Yes, No exemptions
---	--------------------

China RoHS

Environment friendly use period (EFUP)	EFUP-E
	No hazardous substances above the limits

EU REACH SVHC

REACH candidate substance (CAS No.)	No substance above 0.1 wt%
-------------------------------------	----------------------------

EF3.1 Climate Change

CO2e kg	0.171 kg CO2e
---------	---------------

Phoenix Contact 2026 © - all rights reserved
<https://www.phoenixcontact.com>

Phoenix Contact USA
586 Fulling Mill Road
Middletown, PA 17057, United States
(+717) 944-1300
info@phoenixcon.com