

# CLOUD CLIENT 1101T-TX/TX - Router



1221706

<https://www.phoenixcontact.com/us/products/1221706>

Please be informed that the data shown in this PDF document is generated from our online catalog. Please find the complete data in the user documentation. Our general terms of use for downloads are valid.



Industrial VPN gateway for mGuard Secure Cloud, IPsec communication via operator network, 1 WAN port, 1 LAN port, routing function, 1 digital input, 1 digital output

## Product description

The CLOUD CLIENT TX/TX is positioned as a cost-effective field device for secure remote maintenance scenarios via the operator network. The devices are optimized for use with the mGuard Secure Cloud. For this reason, all CLOUD CLIENT devices support Virtual Private Networks (VPNs) as standard. A scope of functions optimized for the mGuard Secure Cloud enables quick startup of the devices in the field.

## Your advantages

- Secure communication via IPsec
- Configuration via web-based management or microSD card
- Cloud-based VPN infrastructure from Phoenix Contact
- Turnkey VPN infrastructure for operators, machine builders, and systems manufacturers
- Secure and reliable, thanks to industry-proven mGuard security technology

## Commercial data

Item number	1221706
Packing unit	1 pc
Minimum order quantity	1 pc
Sales key	DN25
Product key	DNC422
GTIN	4063151310271
Weight per piece (including packing)	326 g
Weight per piece (excluding packing)	240 g
Customs tariff number	85176200
Country of origin	DE

## Technical data

### Notes

#### Note on application

Note on application	Only for industrial use
---------------------	-------------------------

#### Utilization restriction

CCCex note	Use in potentially explosive areas is not permitted in China.
------------	---

### Product properties

Product type	Remote maintenance gateway
--------------	----------------------------

#### Insulation characteristics

Pollution degree	2
------------------	---

#### Security functions

1:1 Network Address Translation (NAT) in the VPN	supported
Number of VPN tunnels	1
Authentication	X.509v3
Data integrity	SHA-1, SHA-2
Internet Protocol Security (IPsec) mode	ESP tunnel
Encryption methods	AES 256

### Electrical properties

Electrical isolation	VCC // FE // Ethernet
Maximum power dissipation for nominal condition	4.8 W
Mains type	Ethernet

#### Supply

Supply voltage range	10 V DC ... 30 V DC (SELV, via pluggable Push-in terminal block)
Typical current consumption	< 200 mA (24 V DC)
Max. current consumption	500 mA

#### Function

Management	Web-based management
------------	----------------------

### Input data

#### Digital

Description of the input	Digital input
Number of inputs	1
Voltage input signal	10 V DC ... 30 V DC
Switching level "1" signal	10 V DC ... 30 V DC

### Output data

# CLOUD CLIENT 1101T-TX/TX - Router



1221706

<https://www.phoenixcontact.com/us/products/1221706>

## Signal

Output name	Digital output
Number of outputs	1
Voltage output signal	10 V DC ... 30 V DC (depending on the operating voltage)
Current output signal	≤ 50 mA (Not short-circuit proof)

## Connection data

### Supply

Single conductor/terminal point, rigid	0.14 mm <sup>2</sup> ... 1.5 mm <sup>2</sup>
Single-wire/terminal point, flexible	0.14 mm <sup>2</sup> ... 1.5 mm <sup>2</sup>
Conductor cross-section, flexible [AWG]	26 ... 16

## Interfaces

Signal	Ethernet
--------	----------

Data: Ethernet interface, 10/100Base-T(X) in accordance with IEEE 802.3

Serial transmission speed	10/100 Mbps, auto negotiation
Connection method	RJ45 jack, shielded
No. of channels	2 (LAN + WAN, SELV)
Transmission length	100 m (shielded twisted pair)
Protocols supported	TCP/IP, UDP/IP, FTP, HTTP(S)
Auxiliary protocols	ARP, DHCP, PING (ICMP)

## Dimensions

Width	45 mm
Height	130 mm
Depth	126 mm

## Material specifications

Color (Upper housing part)	light gray (RAL 7035)
Material (Housing)	Plastic

## Mechanical tests

Vibration resistance in accordance with EN 60068-2-6/IEC 60068-2-6	: 5g, 10...150 Hz, 2.5 h, in XYZ direction
Shock in accordance with EN 60068-2-27/IEC 60068-2-27	: 15g

## Environmental and real-life conditions

### Ambient conditions

Degree of protection	IP20
Ambient temperature (operation)	-40 °C ... 70 °C
Ambient temperature (storage/transport)	-40 °C ... 85 °C
Permissible humidity (operation)	10 % ... 95 % (non-condensing)
Permissible humidity (storage/transport)	10 % ... 95 % (non-condensing)

# CLOUD CLIENT 1101T-TX/TX - Router



1221706

<https://www.phoenixcontact.com/us/products/1221706>

## Approvals

### CE

Certificate	CE-compliant
-------------	--------------

### UL, USA/Canada

Identification	Class I, Zone 2, AEx nA IIC T4 / Ex nA IIC T4 Gc
	Class I, Div. 2, Groups A, B, C, D T4

### Corrosive gas test

Identification	ISA-S71.04-1985 G3 Harsh Group A
----------------	----------------------------------

## EMC data

Electromagnetic compatibility	Conformance with EMC Directive 2014/30/EU
Noise immunity	EN 61000-6-2

### Electrostatic discharge

Standards/regulations	EN 61000-4-2
-----------------------	--------------

### Electrostatic discharge

Contact discharge	$\pm 6$ kV (Test Level 3)
Discharge in air	$\pm 8$ kV (Test Level 3)
Comments	Criterion B

### Electromagnetic HF field

Standards/regulations	EN 61000-4-3
-----------------------	--------------

### Electromagnetic HF field

Frequency range	80 MHz ... 3 GHz (Test Level 3)
Field intensity	10 V/m
Comments	Criterion A

### Fast transients (burst)

Standards/regulations	EN 61000-4-4
-----------------------	--------------

### Fast transients (burst)

Input	$\pm 2$ kV (Test Level 3)
Signal	$\pm 2$ kV (Ethernet)
Comments	Criterion B

### Surge current load (surge)

Standards/regulations	EN 61000-4-5
-----------------------	--------------

### Surge current load (surge)

Input	$\pm 0.5$ kV (symmetrical)
	$\pm 1$ kV (asymmetrical)
Signal	$\pm 1$ kV (Data line, asymmetrical)
Comments	Criterion B

# CLOUD CLIENT 1101T-TX/TX - Router



1221706

<https://www.phoenixcontact.com/us/products/1221706>

## Conducted interference

Standards/regulations	EN 61000-4-6
-----------------------	--------------

## Conducted interference

Frequency range	0.15 MHz ... 80 MHz
Comments	Criterion A
Voltage	10 V

## Emitted interference

Radio interference voltage in acc. with EN 55011	Class B, area of application: Industry and residential
Emitted radio interference in acc. with EN 55011	Class B, area of application: Industry and residential

## Criteria

Criterion A	Normal operating behavior within the specified limits.
Criterion B	Temporary impairment to operational behavior that is corrected by the device itself.

## Mounting

Mounting type	DIN rail mounting
---------------	-------------------

# CLOUD CLIENT 1101T-TX/TX - Router

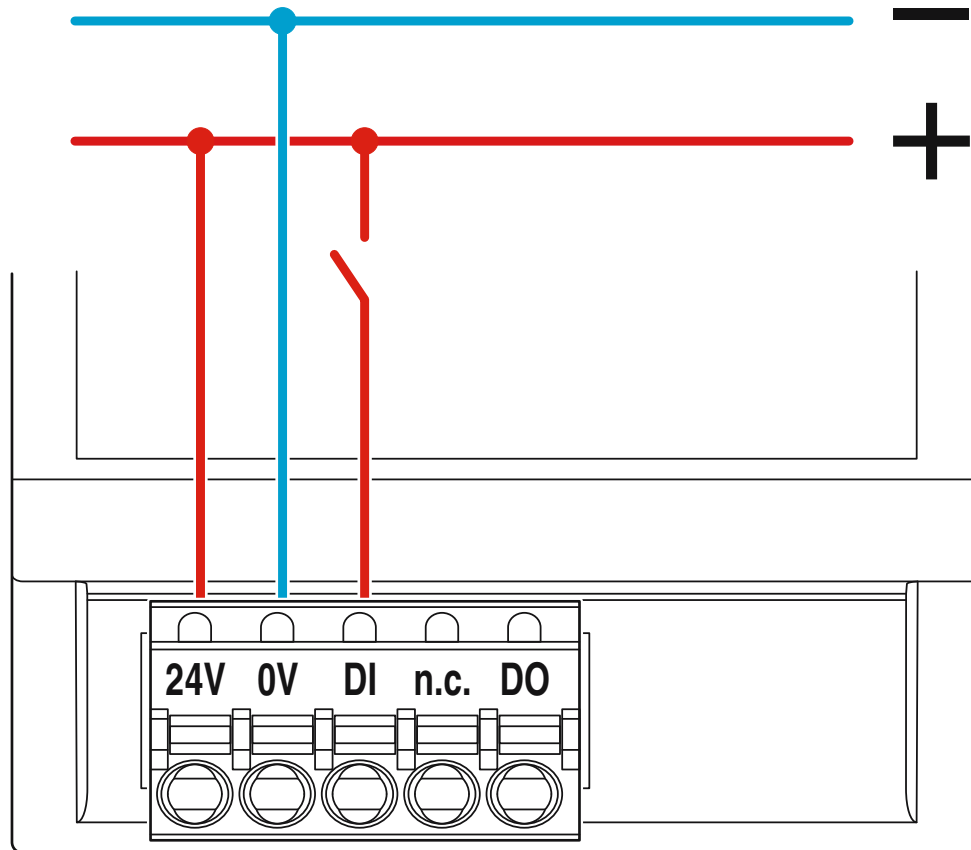


1221706

<https://www.phoenixcontact.com/us/products/1221706>

## Drawings

Connection diagram



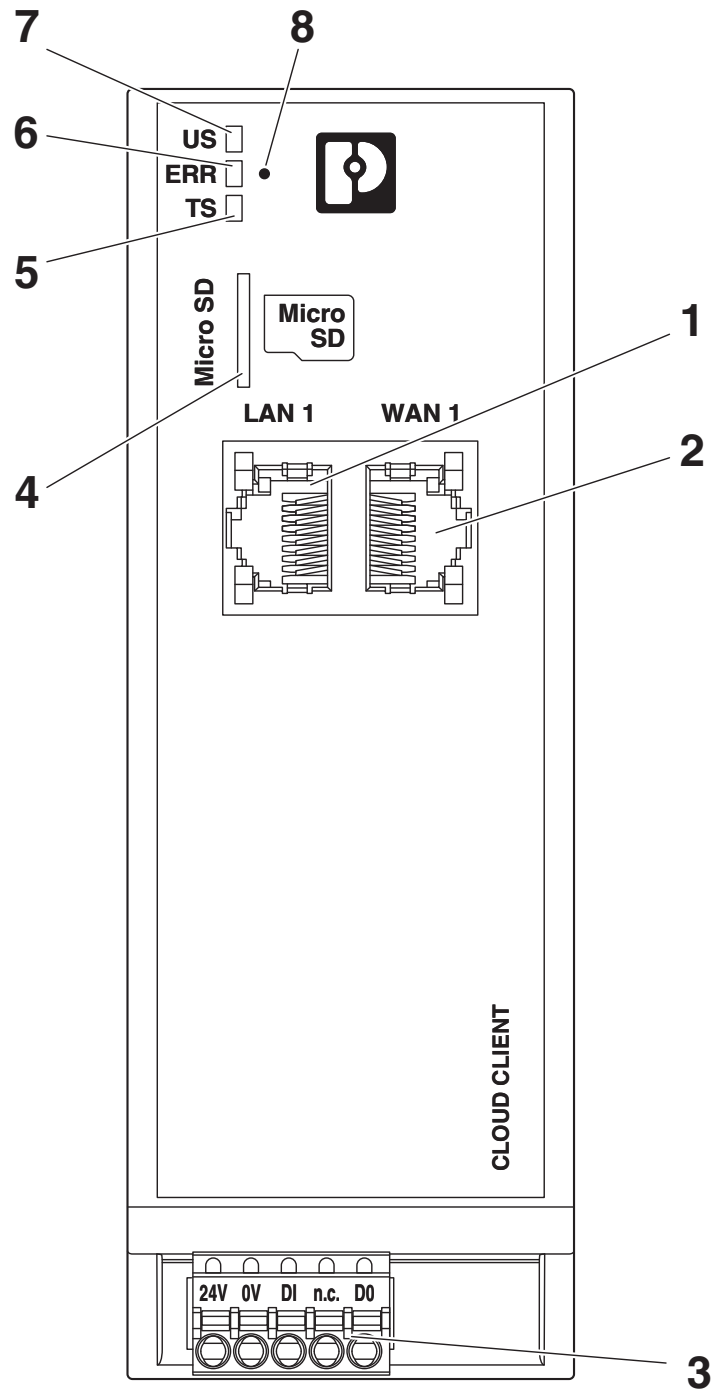
Switching input and switching output

# CLOUD CLIENT 1101T-TX/TX - Router

1221706

<https://www.phoenixcontact.com/us/products/1221706>

Schematic diagram



Front view

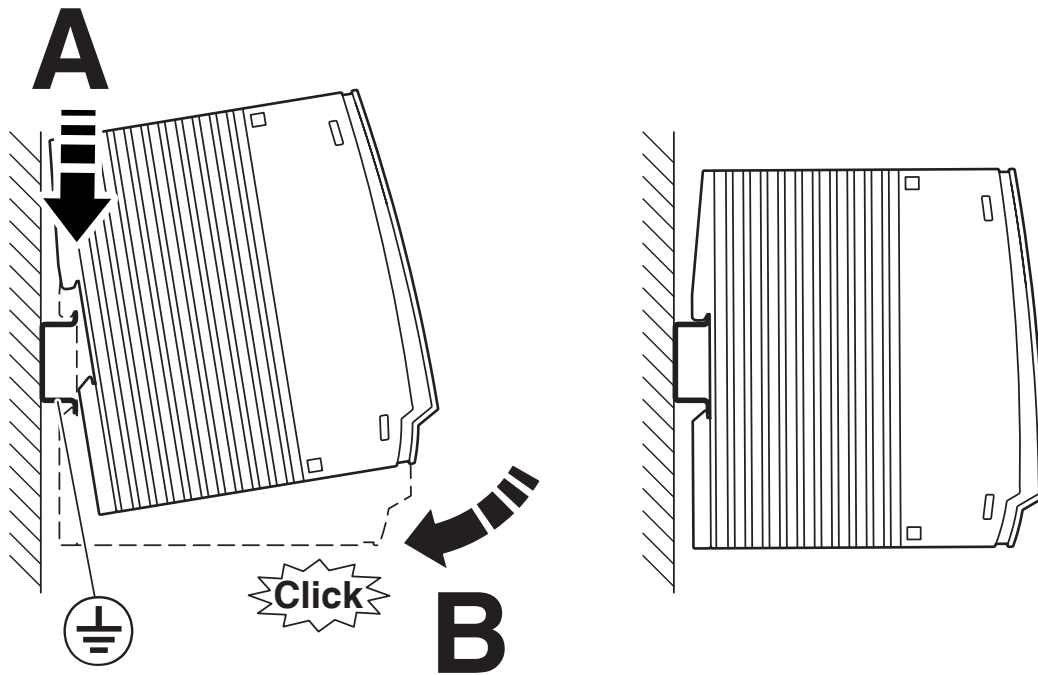
# CLOUD CLIENT 1101T-TX/TX - Router



1221706

<https://www.phoenixcontact.com/us/products/1221706>

Schematic diagram



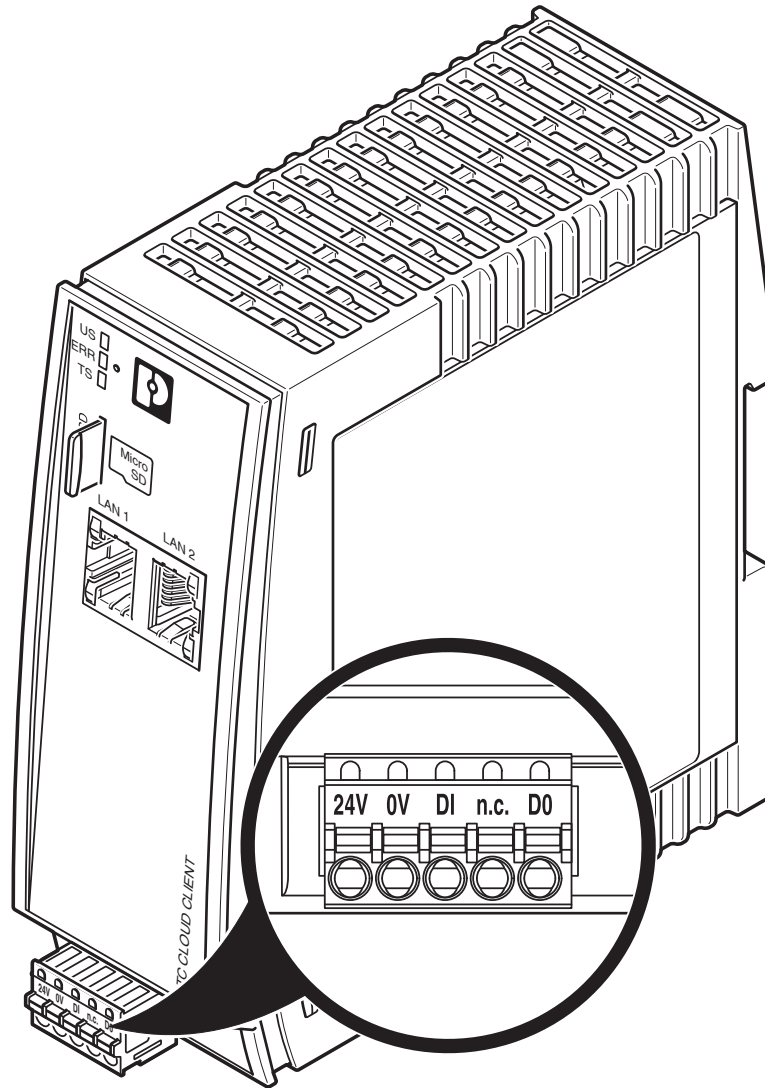
DIN rail mounting

# CLOUD CLIENT 1101T-TX/TX - Router

1221706

<https://www.phoenixcontact.com/us/products/1221706>

Schematic diagram



Connecting the supply voltage

# CLOUD CLIENT 1101T-TX/TX - Router



1221706

<https://www.phoenixcontact.com/us/products/1221706>

## Approvals

To download certificates, visit the product detail page: <https://www.phoenixcontact.com/us/products/1221706>



**cULus Listed**

Approval ID: E238705



**cULus Listed**

Approval ID: E366272

# CLOUD CLIENT 1101T-TX/TX - Router



1221706

<https://www.phoenixcontact.com/us/products/1221706>

## Classifications

### ECLASS

ECLASS-13.0	19170405
ECLASS-15.0	19170405

### ETIM

ETIM 10.0	EC001478
-----------	----------

### UNSPSC

UNSPSC 21.0	43222600
-------------	----------

# CLOUD CLIENT 1101T-TX/TX - Router



1221706

<https://www.phoenixcontact.com/us/products/1221706>

## Environmental product compliance

### EU RoHS

Fulfills EU RoHS substance requirements	Yes
Exemption	7(c)-I

### China RoHS

Environment friendly use period (EFUP)	EFUP-50
	An article-related China RoHS declaration table can be found in the download area for the respective article under "Manufacturer declaration". For all articles with EFUP-E, no China RoHS declaration table issued and required.

### EU REACH SVHC

REACH candidate substance (CAS No.)	No substance above 0.1 wt%
-------------------------------------	----------------------------

### EF3.1 Climate Change

CO2e kg	14.752 kg CO2e
---------	----------------

Phoenix Contact 2026 © - all rights reserved  
<https://www.phoenixcontact.com>

Phoenix Contact USA  
586 Fulling Mill Road  
Middletown, PA 17057, United States  
(+717) 944-1300  
[info@phoenixcon.com](mailto:info@phoenixcon.com)