

# SPE-T1-M8MSM/2,0-97B/M8FSF - Network cable



1217524

<https://www.phoenixcontact.com/us/products/1217524>

Please be informed that the data shown in this PDF document is generated from our online catalog. Please find the complete data in the user documentation. Our general terms of use for downloads are valid.



Network cable, Single Pair Ethernet CAT A (10 Mbps), 2-position, PVC, black, shielded (Advanced Shielding Technology), Plug straight M8-SPE / IP67, on Socket straight M8-SPE / IP67, cable length: 2 m

## Product description

Single Pair Ethernet M8 patch cable

## Your advantages

- Future-proof: standardized connectors in accordance with IEC 63171-5 (IP67)
- Easily integrated: Male and female versions for established inductive sensors and flying leads
- Efficient: Device connectors for SMD, THR, and wave soldering processes enable automated processing
- Straightforward servicing: M8 connectors are compatible with IP20 connectors for SPE
- Safely shielded: patch cables with Advanced Shielding Technology

## Commercial data

Item number	1217524
Packing unit	1 pc
Minimum order quantity	1 pc
Sales key	BF02
Product key	AF1BJI
GTIN	4063151299828
Weight per piece (including packing)	95.3 g
Weight per piece (excluding packing)	22.22 g
Customs tariff number	85444290
Country of origin	PL

1217524

<https://www.phoenixcontact.com/us/products/1217524>

## Technical data

### Product properties

Product type	Data cable preassembled
Application	Standard
Sensor type	Single Pair Ethernet
Number of positions	2
No. of cable outlets	1
Shielded	yes

### Insulation characteristics

Overvoltage category	I
----------------------	---

### Interfaces

Bus system	Ethernet
Signal type/category	Single Pair Ethernet CAT A (ISO/IEC 63171), 10 Mbps

### Signaling

Status display	no
Status display present	no

### Electrical properties

Nominal voltage $U_N$	72 V DC
Transmission medium	Copper
Transmission speed	up to 10 Mbps

### Material specifications

Flammability rating according to UL 94	V0
----------------------------------------	----

### Connection data

#### Connection assignment

Contact   Color (signal designation)   Contact (optional)	1 (Plug)   WH (RX/TX+)   1 (Socket)
	2 (Plug)   BU (RX/TX-)   2 (Socket)

### Connector

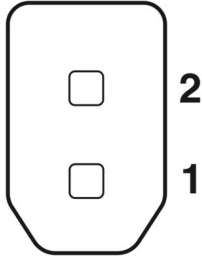
Connection 1

# SPE-T1-M8MSM/2,0-97B/M8FSF - Network cable

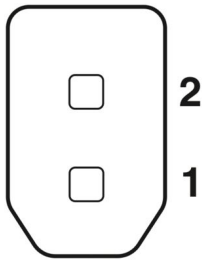


1217524

<https://www.phoenixcontact.com/us/products/1217524>

Dimensional drawing	 <p>Pin assignment, Single Pair Ethernet, 2 pos.</p>
Type	M8 Plug, straight, 2-position, shielded (Advanced Shielding Technology), Keying: SPE
Number of positions	2
Shielded	yes
Shielding	Advanced Shielding Technology
Signal type/category	Single Pair Ethernet CAT B (IEC 63171)
Insertion/withdrawal cycles	≥ 100
Insulation resistance	≥ 100 MΩ
Overvoltage category	II
Degree of pollution	3
Tightening torque	0.2 Nm
Material Contact	Cu
Material Contact surface	Ni/Au
Material Contact carrier	PP
Material Screw connection	Die-cast zinc, nickel-plated
Material Grip body	TPU, hardly inflammable, self-extinguishing
Material Seal	FKM
Flammability rating according to UL 94	V0
Degree of protection	IP65 IP67
Ambient temperature (operation)	-25 °C ... 85 °C
Standard designation	M8 connector
Standards/regulations	IEC 63171-5

## Connection 2

Dimensional drawing	 <p>Pin assignment, Single Pair Ethernet, 2 pos.</p>
Type	M8 Socket, straight, 2-position, shielded (Advanced Shielding

# SPE-T1-M8MSM/2,0-97B/M8FSF - Network cable



1217524

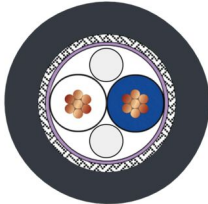
<https://www.phoenixcontact.com/us/products/1217524>

	Technology), Keying: SPE
Number of positions	2
Shielded	yes
Shielding	Advanced Shielding Technology
Signal type/category	Single Pair Ethernet CAT B (IEC 63171)
Insertion/withdrawal cycles	≥ 100
Insulation resistance	≥ 100 MΩ
Overvoltage category	II
Degree of pollution	3
Tightening torque	0.2 Nm
Material Contact	Cu
Material Contact surface	Ni/Au
Material Contact carrier	PP
Material Screw connection	Die-cast zinc, nickel-plated
Material Grip body	TPU, hardly inflammable, self-extinguishing
Material Seal	FKM
Flammability rating according to UL 94	V0
Degree of protection	IP65 IP67
Ambient temperature (operation)	-25 °C ... 85 °C
Standard designation	M8 connector
Standards/regulations	IEC 63171-5

## Cable/line

Cable length	2 m
--------------	-----

Single Pair Ethernet PUR flexible, black [97B]

Dimensional drawing	
UL AWM Style	2095 (80°C/300 V)
Number of positions	2
Shielded	yes
Cable type	Single Pair Ethernet PUR flexible, black [97B]
Conductor structure	1 x 2 x AWG 22/7, S/FTP
Conductor structure signal line	7x
AWG signal line	22
Conductor cross-section	2x 0.34 mm <sup>2</sup>
Wire diameter incl. insulation	1.65 mm

# SPE-T1-M8MSM/2,0-97B/M8FSF - Network cable



1217524

<https://www.phoenixcontact.com/us/products/1217524>

External cable diameter	5.10 mm ±0.2 mm
Outer sheath, material	PVC
External sheath, color	black
Conductor material	Tin-plated Cu litz wires
Material wire insulation	Foamed PE
Single wire, color	white, blue
Thickness, outer sheath	0.55 mm
Twisted pairs	2 cores to the pair
Overall twist	1 pair with fillers twisted horizontally
Optical shield covering	80 %
Max. conductor resistance	≤ 59.4 Ω/km
Insulation resistance	≥ 5 GΩ*km
Wave impedance	100 Ω ±15 Ω (at 20 MHz)
Nominal voltage, cable	300 V
Minimum bending radius, fixed installation	4 x D
Smallest bending radius, fixed installation	21 mm
Flame resistance	According to FT-2
Ambient temperature (operation)	-20 °C ... 80 °C (cable, fixed installation)

## Standards and regulations

M8

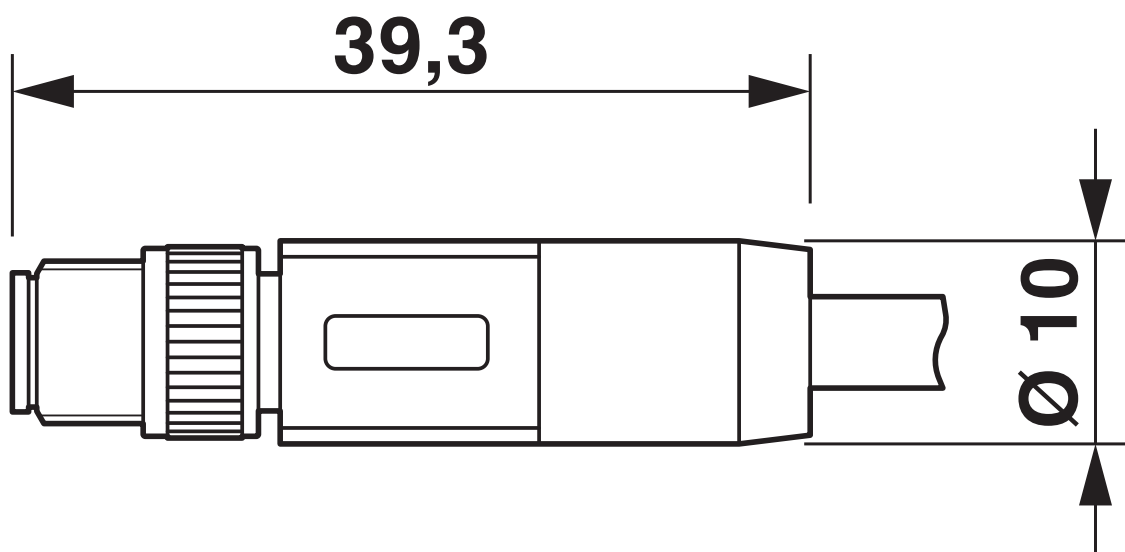
Standard designation	M8 connector
Standards/specifications	IEC 63171-5
Note	T1-SPE

1217524

<https://www.phoenixcontact.com/us/products/1217524>

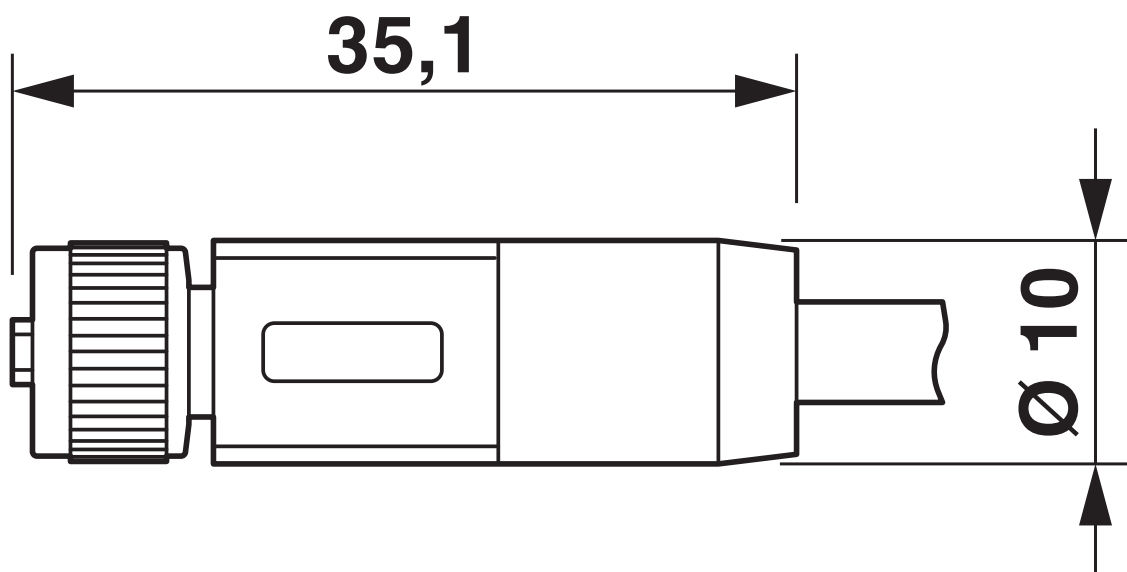
## Drawings

Dimensional drawing



M8 x 1 male plug, straight version

Dimensional drawing

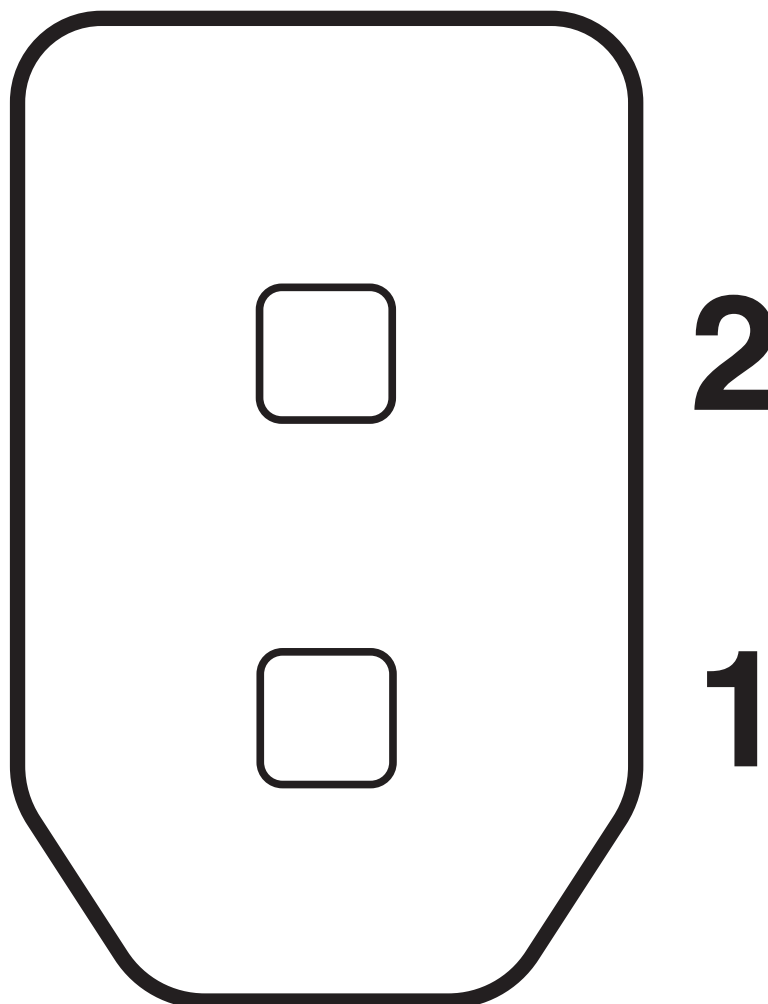


Socket M8 x 1, straight

1217524

<https://www.phoenixcontact.com/us/products/1217524>

Schematic diagram



Pin assignment, Single Pair Ethernet, 2 pos.

# SPE-T1-M8MSM/2,0-97B/M8FSF - Network cable



1217524

<https://www.phoenixcontact.com/us/products/1217524>

## Classifications

### ECLASS

ECLASS-13.0	27060307
ECLASS-15.0	27060307

### ETIM

ETIM 10.0	EC001855
-----------	----------

### UNSPSC

UNSPSC 21.0	26121600
-------------	----------

# SPE-T1-M8MSM/2,0-97B/M8FSF - Network cable



1217524

<https://www.phoenixcontact.com/us/products/1217524>

## Environmental product compliance

### EU RoHS

Fulfills EU RoHS substance requirements	Yes, No exemptions
-----------------------------------------	--------------------

### China RoHS

Environment friendly use period (EFUP)	EFUP-E
	No hazardous substances above the limits

### EU REACH SVHC

REACH candidate substance (CAS No.)	No substance above 0.1 wt%
-------------------------------------	----------------------------

### EF3.1 Climate Change

CO2e kg	5.138 kg CO2e
---------	---------------

Phoenix Contact 2026 © - all rights reserved  
<https://www.phoenixcontact.com>

Phoenix Contact USA  
586 Fulling Mill Road  
Middletown, PA 17057, United States  
(+717) 944-1300  
[info@phoenixcon.com](mailto:info@phoenixcon.com)