

ICS25-C100X12-DKP-7035 - Upper housing part with display



1215686

<https://www.phoenixcontact.com/us/products/1215686>

Please be informed that the data shown in this PDF document is generated from our online catalog. Please find the complete data in the user documentation. Our general terms of use for downloads are valid.

DIN rail housing, Upper part, integrated 0.96" display, resolution: 80 x 160 Pixel(s), interface: 4-wire SPI half duplex, Housing cover, width: 25 mm, height: 100 mm, depth: 14.35 mm



Your advantages

- Housing system for visualization and operation in the control cabinet
- Coordinated housings with pre-installed touch displays
- Time-saving assembly of ready-to-use modules with Plug and Play
- Positioning of the display using the configurator

Commercial data

Item number	1215686
Packing unit	10 pc
Minimum order quantity	10 pc
Note	Made to order (non-returnable)
Sales key	AC22
Product key	ACHAEI
GTIN	4063151296902
Weight per piece (including packing)	18.24 g
Weight per piece (excluding packing)	10.9 g
Customs tariff number	84879090
Country of origin	CN

ICS25-C100X12-DKP-7035 - Upper housing part with display

1215686

<https://www.phoenixcontact.com/us/products/1215686>

Technical data

Notes

Assembly note	Please observe the application note in the download area.
Recommendation	Further information and detailed dimensions are available in the download area.

Product properties

Product type	Upper housing part
Housing type	DIN rail housing
Housing type	Modular housings
Housing series	ICS
Product family	ICS25-..100X..
Number (Connection openings)	0
Ventilation openings present	no

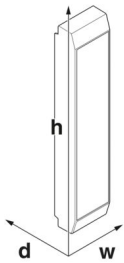
Display

Display type	Color display TFT
Display type	LCD with backlighting
Panel technology	IPS
Diagonal	0.96 in. (Display)
Screen resolution	80 x 160 Pixel(s)
Display lighting type	LED, white
Controller	ST7735S

Interfaces

Interface	4-wire SPI half duplex
-----------	------------------------

Dimensions

Dimensional drawing	
Width	25 mm
Height	100 mm
Depth	14.35 mm
Depth from base support surface	11.9 mm

PCB design

PCB thickness	1.4 mm ... 1.8 mm
---------------	-------------------

ICS25-C100X12-DKP-7035 - Upper housing part with display



1215686

<https://www.phoenixcontact.com/us/products/1215686>

Material specifications

Color (Housing)	light gray (RAL 7035)
Material Upper housing part	PA
Flammability rating according to UL 94	V0
CTI according to IEC 60112	600

Environmental and real-life conditions

Vibration test

Specification	IEC 60068-2-6:2007-12
Result	Test passed
Frequency	10 - 150 - 10 Hz
Sweep speed	1 octave/min
Amplitude	0.15 mm (10 Hz ... 58.1 Hz)
Acceleration	20 m/s ²
Test duration per axis	2.5 h
Test directions	X-, Y- and Z-axis

Shocks

Specification	IEC 60068-2-27:2008-02
Result	Test passed
Acceleration	150 m/s ²
Shock duration	11 ms
Number of shocks per direction	3
Test directions	X-, Y- and Z-axis (pos. and neg.)

Test for substances that would hinder coating with paint or varnish

Specification	VDMA 24364:2018-05
Result	Test passed

Ambient conditions

Max. IP code to attain	IP20
Ambient temperature (operation)	-20 °C ... 70 °C (depending on power dissipation)
Ambient temperature (storage/transport)	-20 °C ... 55 °C
Relative humidity (storage/transport)	80 %

PCB data

Thickness of the PCB	1.4 mm ... 1.8 mm
----------------------	-------------------

Mounting

Mounting type	Snap in
---------------	---------

Packaging specifications

Type of packaging	packed in cardboard
Outer packaging type	Carton

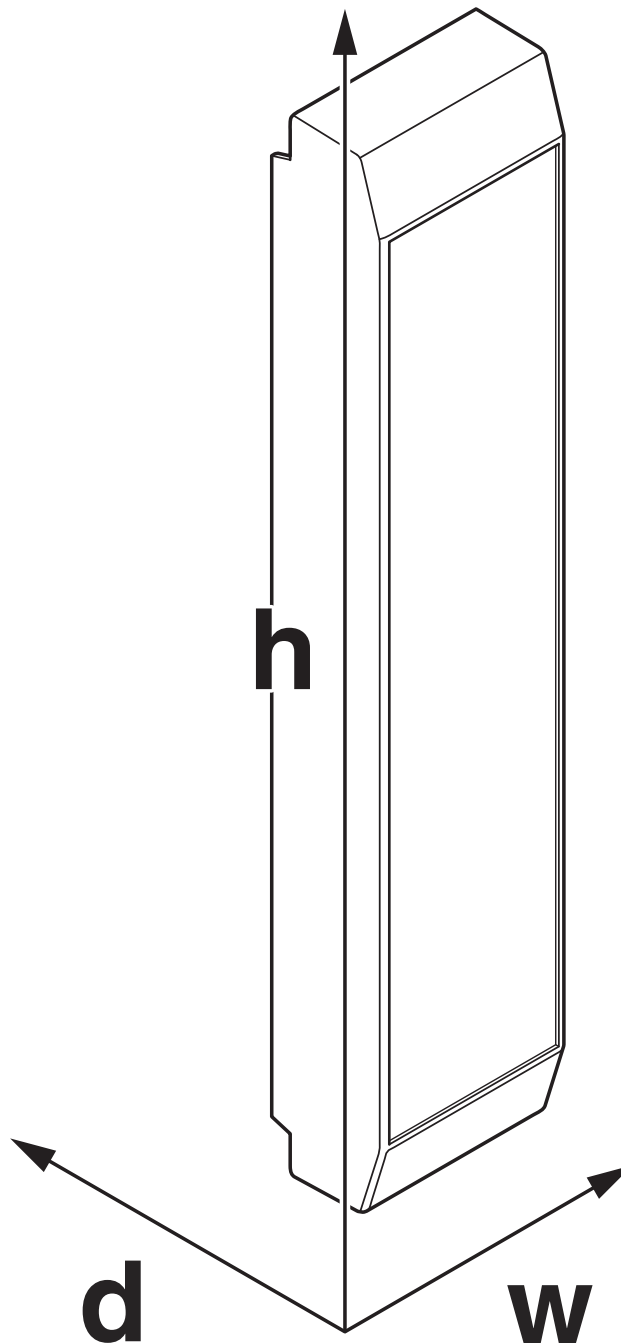
ICS25-C100X12-DKP-7035 - Upper housing part with display

1215686

<https://www.phoenixcontact.com/us/products/1215686>

Drawings

Dimensional drawing



Schematic figure for illustrating the item dimensions. The figure is not of the desired product. For further details, refer to the product drawings in the "Downloads" tab.

ICS25-C100X12-DKP-7035 - Upper housing part with display



1215686

<https://www.phoenixcontact.com/us/products/1215686>

Classifications

ECLASS

ECLASS-13.0	27190603
ECLASS-15.0	27190603

ETIM

ETIM 10.0	EC002779
-----------	----------

UNSPSC

UNSPSC 21.0	31261500
-------------	----------

ICS25-C100X12-DKP-7035 - Upper housing part with display



1215686

<https://www.phoenixcontact.com/us/products/1215686>

Environmental product compliance

EU RoHS

Fulfills EU RoHS substance requirements	Yes, No exemptions
---	--------------------

China RoHS

Environment friendly use period (EFUP)	EFUP-E
	No hazardous substances above the limits

EU REACH SVHC

REACH candidate substance (CAS No.)	No substance above 0.1 wt%
-------------------------------------	----------------------------

Phoenix Contact 2026 © - all rights reserved
<https://www.phoenixcontact.com>

Phoenix Contact USA
586 Fulling Mill Road
Middletown, PA 17057, United States
(+717) 944-1300
info@phoenixcon.com