

# AXL P DI16/2 1F - Digital module



1213483

<https://www.phoenixcontact.com/us/products/1213483>

Please be informed that the data shown in this PDF document is generated from our online catalog. Please find the complete data in the user documentation. Our general terms of use for downloads are valid.



Axioline P, Digital input module, Digital inputs: 16, 24 V DC, connection technology: 2-conductor, transmission speed in the local bus: 100 Mbps, degree of protection: IP20, including bus base module and Axioline P connectors

## Product description

The module is an Axioline P I/O module for use in the Axioline P modular I/O system. The module is a modular I/O device that can be affixed to the Axioline P local bus, to communicate I/O data up to the Axioline P bus coupler, which forms the head of the station. The digital input module collects 24 V DC digital input signals and makes this information available to the bus coupler through the Axioline P local bus. The module is fully hot-swappable and may be removed while under power.

## Your advantages

- 16 digital inputs in accordance with EN 61131-2 type 1 and type 3
- 24 V DC, 2.4 mA
- Connection of sensors in 2-conductor technology
- Can be used under extreme ambient conditions
- Temperature range: -40 °C ... +70 °C
- Hot-swappable

## Commercial data

Item number	1213483
Packing unit	1 pc
Minimum order quantity	1 pc
Sales key	DR06
Product key	DRIP31
GTIN	4063151284657
Weight per piece (including packing)	380 g
Weight per piece (excluding packing)	240 g
Customs tariff number	85389099
Country of origin	US

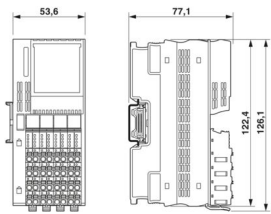
# AXL P DI16/2 1F - Digital module

1213483

<https://www.phoenixcontact.com/us/products/1213483>

## Technical data

### Dimensions

Dimensional drawing	
Width	53.6 mm
Height	126.1 mm
Depth	77.1 mm
Note on dimensions	The depth applies when a TH 35-7.5 DIN rail is used (in accordance with EN 60715).

### Notes

Note on application	
Note on application	Only for industrial use
Utilization restriction	
EMC note	EMC: class A product, see manufacturer's declaration in the download area
Utilization restriction	
CCCex note	Use in potentially explosive areas is not permitted in China.

### Material specifications

Color (Housing)	gray (RAL 7042)
-----------------	-----------------

### Interfaces

Axioline P local bus	
Number of interfaces	2
Connection method	Bus base module
Transmission speed	100 Mbps

### System properties

Programming data (LocalbusSlave)	
Input address area	2 Byte
Output address area	0 Byte

### Input data

Digital:	
Input name	Digital inputs

# AXL P DI16/2 1F - Digital module



1213483

<https://www.phoenixcontact.com/us/products/1213483>

Description of the input	EN 61131-2 types 1 and 3
Number of inputs	16
Connection method	Push-in connection
Connection technology	2-conductor
Input voltage range "0" signal	-3 V DC ... 5 V DC
Input voltage range "1" signal	11 V DC ... 30 V DC
Nominal input voltage $U_{IN}$	24 V DC
Nominal input current at $U_{IN}$	2.4 mA
Current flow	linear until nominal current is reached, then constantly approx. 2.4 mA
Input filter time	3000 $\mu$ s (Default)
	< 200 $\mu$ s
	1000 $\mu$ s
Process data update	1.2 ms
Protective circuit	Polarity reversal protection of the inputs

## Product properties

Product type	I/O component
Product family	Axioline P
Type	block modular
Mounting position	any (no temperature derating)
Scope of supply	including bus base module and Axioline P connectors

## Insulation characteristics

Overvoltage category	II (IEC 60664-1, EN 60664-1)
Pollution degree	2 (IEC 60664-1, EN 60664-1)

## Electrical properties

Maximum power dissipation for nominal condition	3.25 W
---	--------

## Potentials: Supply voltage ( $U_L$ )

Supply voltage	24 V DC (via bus base module)
Supply voltage range	19.2 V DC ... 30 V DC
Current draw	max. 59 mA (via bus base module)
	typ. 43 mA (via bus base module)
Protective circuit	Surge protection; electronic (35 V, 0.5 s)
	Reverse polarity protection; Polarity protection diode
	Transient protection; Suppressor diode

## Potentials: Axioline P local bus supply ( $U_{BUS}$ )

Supply voltage	5 V DC (via bus base module)
Current draw	max. 135 mA
	typ. 110 mA

## Electrical isolation/isolation of the voltage ranges

Test voltage: 5 V supply of the local bus ( $U_{BUS}$ ) / functional ground	500 V AC, 60 Hz, 1 min
---	------------------------

1213483

<https://www.phoenixcontact.com/us/products/1213483>

Test voltage: 5 V supply of the local bus ( $U_{BUS}$ ) / digital inputs	500 V AC, 60 Hz, 1 min
Test voltage: 24 V supply (I/O) / functional ground	500 V AC, 60 Hz, 1 min
Test voltage: 24 V supply (I/O) / digital inputs	500 V AC, 60 Hz, 1 min
Test voltage: Digital inputs / functional ground	500 V AC, 60 Hz, 1 min

## Connection data

### Connection technology

Connection name	Axioline P connector
Note on the connection method	Please observe the information provided on conductor cross-sections in the "Axioline P: System and installation" user manual.

### Axioline P connector

Connection method	Push-in connection
Note on the connection method	Please observe the information provided on conductor cross-sections in the "Axioline P: System and installation" user manual.
Conductor cross-section, rigid	0.2 mm <sup>2</sup> ... 1.5 mm <sup>2</sup>
Conductor cross-section, flexible	0.2 mm <sup>2</sup> ... 1.5 mm <sup>2</sup>
Conductor cross-section AWG	24 ... 16
Stripping length	8 mm

## Environmental and real-life conditions

### Ambient conditions

Ambient temperature (operation)	-40 °C ... 70 °C
Degree of protection	IP20
Air pressure (operation)	70 kPa ... 106 kPa (up to 2000 m above sea level)
Air pressure (storage/transport)	70 kPa ... 106 kPa (up to 2000 m above sea level)
Ambient temperature (storage/transport)	-40 °C ... 85 °C
Permissible humidity (operation)	5 % ... 95 % (non-condensing)
Permissible humidity (storage/transport)	5 % ... 95 % (non-condensing)

### Mechanical test

Vibration resistance in accordance with EN 60068-2-6/IEC 60068-2-6	5g
Shock in accordance with EN 60068-2-27/IEC 60068-2-27	30g
Continuous shock in accordance with EN 60068-2-27/IEC 60068-2-27	10g

## Standards and regulations

Protection class	III (IEC 61140, EN 61140, VDE 0140-1)
------------------	---------------------------------------

## Approvals

### ATEX

Identification	II 3G Ex ec IIC T4 Gc
Certificate	DEMKO 20 ATEX 2334X

### IECEx

# AXL P DI16/2 1F - Digital module



1213483

<https://www.phoenixcontact.com/us/products/1213483>

Identification	Ex ec IIC T4 Gc
Certificate	IECEX UL 20.0002X

## UKCA Ex (UKEX)

Identification	II 3G Ex ec IIC T4 Gc
Certificate	PxCAI22UKEx1052416X

## UL, USA/Canada

Identification	cULus
Certificate	E238705

## UL Ex, USA / Canada

Identification	Class I, Division 2, Groups A, B, C, D, T4
	Class I, Zone 2, IIC T4
Certificate	E196811

## CCC / China-Ex

Identification	Ex ec IIC T4 Gc
----------------	-----------------

## Mounting

Mounting type	DIN rail mounting
Mounting position	any (no temperature derating)

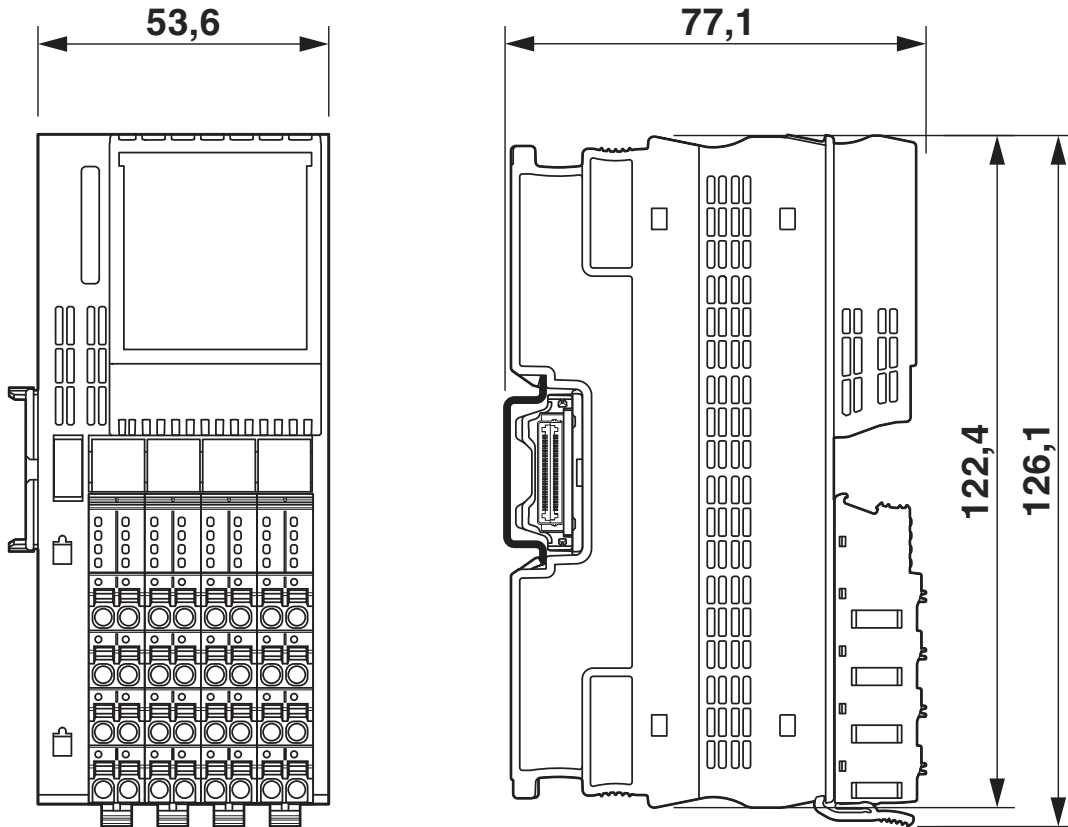
# AXL P DI16/2 1F - Digital module

1213483

<https://www.phoenixcontact.com/us/products/1213483>

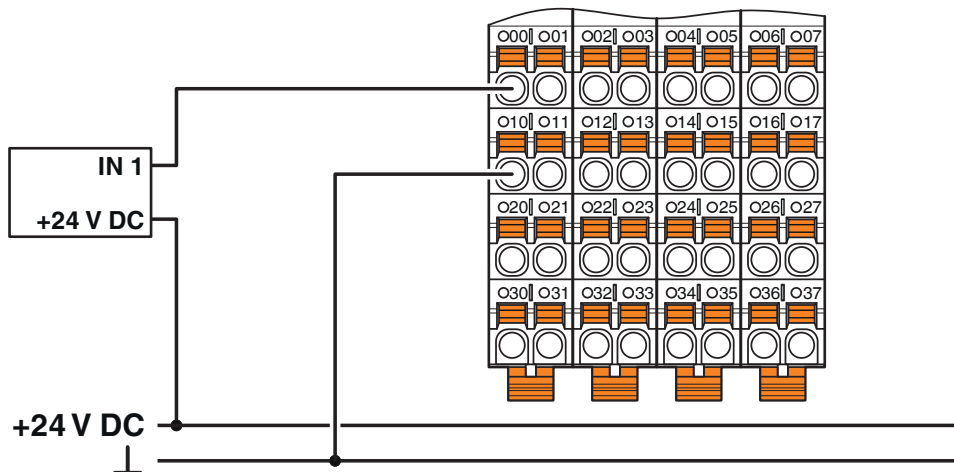
## Drawings

Dimensional drawing



Dimensional drawing

Connection diagram



Connection of sensors when using external busbars

# AXL P DI16/2 1F - Digital module



1213483

<https://www.phoenixcontact.com/us/products/1213483>

## Approvals

To download certificates, visit the product detail page: <https://www.phoenixcontact.com/us/products/1213483>



**cULus Listed**

Approval ID: E238705



**IECEX**

Approval ID: IECEX UL 20.0002X



**cUL Listed**

Approval ID: E196811



**UL Listed**

Approval ID: E196811



**ATEX**

Approval ID: DEMKO 20 ATEX 2334X



**CCC**

Approval ID: 2025122309122350

# AXL P DI16/2 1F - Digital module



1213483

<https://www.phoenixcontact.com/us/products/1213483>

## Classifications

### ECLASS

ECLASS-13.0	27242604
ECLASS-15.0	27242604

### ETIM

ETIM 10.0	EC001599
-----------	----------

### UNSPSC

UNSPSC 21.0	32151600
-------------	----------

1213483

<https://www.phoenixcontact.com/us/products/1213483>

## Environmental product compliance

### EU RoHS

Fulfills EU RoHS substance requirements	Yes
Exemption	7(a), 7(c)-I

### China RoHS

Environment friendly use period (EFUP)	EFUP-25
	An article-related China RoHS declaration table can be found in the download area for the respective article under "Manufacturer declaration". For all articles with EFUP-E, no China RoHS declaration table issued and required.

### EU REACH SVHC

REACH candidate substance (CAS No.)	Lead(CAS: 7439-92-1)
SCIP	34062752-cf83-4788-9b81-3aa200ef5c55

Phoenix Contact 2026 © - all rights reserved

<https://www.phoenixcontact.com>

Phoenix Contact USA  
586 Fulling Mill Road  
Middletown, PA 17057, United States  
(+717) 944-1300  
[info@phoenixcon.com](mailto:info@phoenixcon.com)