

# SF-PHSL 2-100 S-VDE - Screwdriver



1212698

<https://www.phoenixcontact.com/us/products/1212698>

Please be informed that the data shown in this PDF document is generated from our online catalog. Please find the complete data in the user documentation. Our general terms of use for downloads are valid.



Screwdriver, positive/negative PH slot, VDE insulated, size: PH 2 x 100, 2-component grip, with non-slip grip

## Your advantages

- Screwdrivers for Phillips screws with Pozidriv and Phillips Recess screw head
- VDE approval

## Commercial data

Item number	1212698
Packing unit	10 pc
Minimum order quantity	10 pc
Sales key	BH31
Product key	BH3146
GTIN	4046356716611
Weight per piece (including packing)	91.8 g
Weight per piece (excluding packing)	91.8 g
Customs tariff number	82054000
Country of origin	CZ

# SF-PHSL 2-100 S-VDE - Screwdriver



1212698

<https://www.phoenixcontact.com/us/products/1212698>

## Technical data

### Notes

#### Environmental Product Compliance

California Proposition 65

Further information on California's prop. 65 is available under "Downloads" in the manufacturer's declaration

### Product properties

Product type

Screwdriver tools

Type

Phillips

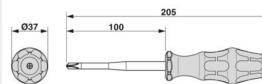
### Connection data

Output

Phillips Recess/plus-minus

### Dimensions

Dimensional drawing



Width

37 mm

Blade width

6 mm

Blade height

100 mm

Length

205 mm

Wrench size

0 mm

Wrench size for mounting

0 mm

### Material specifications

Material

alloyed tool steel

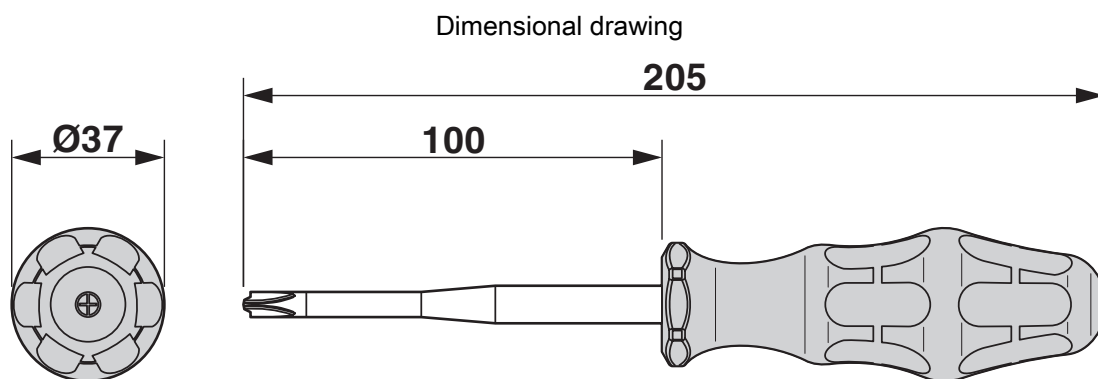
# SF-PHSL 2-100 S-VDE - Screwdriver



1212698

<https://www.phoenixcontact.com/us/products/1212698>

## Drawings



# SF-PHSL 2-100 S-VDE - Screwdriver



1212698

<https://www.phoenixcontact.com/us/products/1212698>

## Classifications

### ECLASS

ECLASS-13.0

21040406

### ETIM

ETIM 9.0

EC000144

### UNSPSC

UNSPSC 21.0

27111700

# SF-PHSL 2-100 S-VDE - Screwdriver



1212698

<https://www.phoenixcontact.com/us/products/1212698>

## Environmental product compliance

### EU RoHS

Fulfills EU RoHS substance requirements	Not applicable, No electrical and electronic equipment (EEE), cannot be used in EEE
---	---

### EU REACH SVHC

REACH candidate substance (CAS No.)	No substance above 0.1 wt%
-------------------------------------	----------------------------

Phoenix Contact 2026 © - all rights reserved

<https://www.phoenixcontact.com>

Phoenix Contact USA  
586 Fulling Mill Road  
Middletown, PA 17057, United States  
(+717) 944-1300  
[info@phoenixcon.com](mailto:info@phoenixcon.com)