

SF-PZ 2-100 S-VDE - Screwdriver



1212696

<https://www.phoenixcontact.com/us/products/1212696>

Please be informed that the data shown in this PDF document is generated from our online catalog. Please find the complete data in the user documentation. Our general terms of use for downloads are valid.



Screwdriver, crosshead PZ (lasered), insulated, size: PZ 2 x 100, 2-component handle, with non-slip grip

Your advantages

- Screwdrivers for Phillips screws with Pozidriv and Phillips Recess screw head
- VDE approval

Commercial data

Item number	1212696
Packing unit	10 pc
Minimum order quantity	10 pc
Sales key	BH31
Product key	BH3146
GTIN	4046356716598
Weight per piece (including packing)	90.59 g
Weight per piece (excluding packing)	90.59 g
Customs tariff number	82054000
Country of origin	CZ

SF-PZ 2-100 S-VDE - Screwdriver



1212696

<https://www.phoenixcontact.com/us/products/1212696>

Technical data

Notes

Environmental Product Compliance

California Proposition 65

Further information on California's prop. 65 is available under "Downloads" in the manufacturer's declaration

Product properties

Product type

Screwdriver tools

Type

Phillips

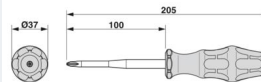
Connection data

Output

Phillips/Pozidriv

Dimensions

Dimensional drawing



Width

37 mm

Blade width

6 mm

Blade height

100 mm

Length

205 mm

Wrench size

0 mm

Wrench size for mounting

0 mm

Material specifications

Material

alloyed tool steel

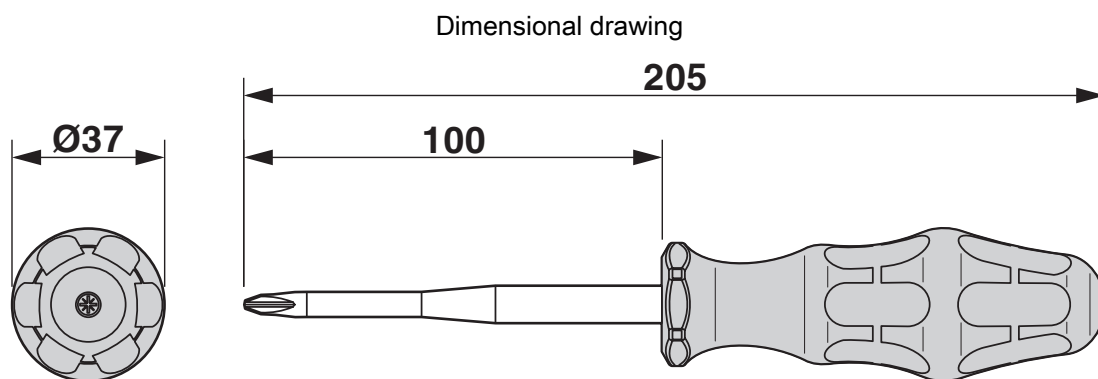
SF-PZ 2-100 S-VDE - Screwdriver



1212696

<https://www.phoenixcontact.com/us/products/1212696>

Drawings



SF-PZ 2-100 S-VDE - Screwdriver



1212696

<https://www.phoenixcontact.com/us/products/1212696>

Approvals

🔗 To download certificates, visit the product detail page: <https://www.phoenixcontact.com/us/products/1212696>



EAC

Approval ID: RU C-DE.AI30.B.01750



VDE Zeichengenehmigung

Approval ID: 40032921



EAC

Approval ID: 7500525.13.12.00701

SF-PZ 2-100 S-VDE - Screwdriver



1212696

<https://www.phoenixcontact.com/us/products/1212696>

Classifications

ECLASS

ECLASS-13.0	21040406
ECLASS-15.0	21040406

ETIM

ETIM 10.0	EC000144
-----------	----------

UNSPSC

UNSPSC 21.0	27111700
-------------	----------

SF-PZ 2-100 S-VDE - Screwdriver



1212696

<https://www.phoenixcontact.com/us/products/1212696>

Environmental product compliance

EU RoHS

Fulfills EU RoHS substance requirements	Not applicable, No electrical and electronic equipment (EEE), cannot be used in EEE
---	---

EU REACH SVHC

REACH candidate substance (CAS No.)	No substance above 0.1 wt%
-------------------------------------	----------------------------

EF3.1 Climate Change

CO2e kg	1.211 kg CO2e
---------	---------------

Phoenix Contact 2026 © - all rights reserved
<https://www.phoenixcontact.com>

Phoenix Contact USA
586 Fulling Mill Road
Middletown, PA 17057, United States
(+717) 944-1300
info@phoenixcon.com