

# SF-PZ 1-80 S-VDE - Screwdriver



1212695

<https://www.phoenixcontact.com/us/products/1212695>

Please be informed that the data shown in this PDF document is generated from our online catalog. Please find the complete data in the user documentation. Our general terms of use for downloads are valid.



Screwdriver, crosshead PZ (lasered), insulated, size: PZ 1 x 80, 2-component handle, with non-slip grip

## Your advantages

- Screwdrivers for Phillips screws with Pozidriv and Phillips Recess screw head
- VDE approval

## Commercial data

Item number	1212695
Packing unit	10 pc
Minimum order quantity	1 pc
Sales key	BH31
Product key	BH3146
GTIN	4046356716581
Weight per piece (including packing)	59.99 g
Weight per piece (excluding packing)	59.99 g
Customs tariff number	82054000
Country of origin	CZ

# SF-PZ 1-80 S-VDE - Screwdriver



1212695

<https://www.phoenixcontact.com/us/products/1212695>

## Technical data

### Notes

#### Environmental Product Compliance

California Proposition 65

Further information on California's prop. 65 is available under "Downloads" in the manufacturer's declaration

### Product properties

Product type

Screwdriver tools

Type

Phillips

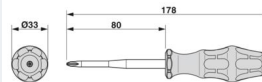
### Connection data

Output

Phillips/Pozidriv

### Dimensions

Dimensional drawing



Width

33 mm

Blade width

4.5 mm

Blade height

80 mm

Length

178 mm

Wrench size

0 mm

Wrench size for mounting

0 mm

### Material specifications

Material

alloyed tool steel

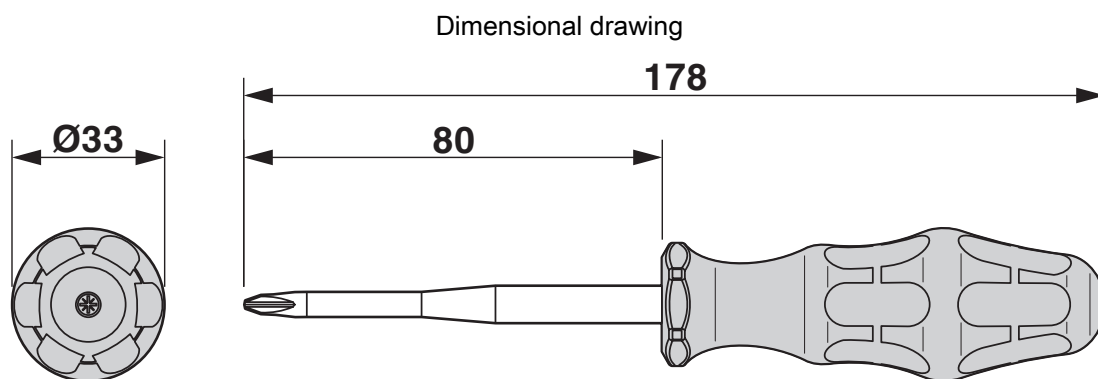
# SF-PZ 1-80 S-VDE - Screwdriver



1212695

<https://www.phoenixcontact.com/us/products/1212695>

## Drawings



# SF-PZ 1-80 S-VDE - Screwdriver



1212695

<https://www.phoenixcontact.com/us/products/1212695>

## Approvals

🔗 To download certificates, visit the product detail page: <https://www.phoenixcontact.com/us/products/1212695>



**EAC**

Approval ID: RU C-DE.AI30.B.01750



**VDE Zeichengenehmigung**

Approval ID: 40032921



**EAC**

Approval ID: 7500525.13.12.00701

# SF-PZ 1-80 S-VDE - Screwdriver



1212695

<https://www.phoenixcontact.com/us/products/1212695>

## Classifications

### ECLASS

ECLASS-13.0	21040406
ECLASS-15.0	21040406

### ETIM

ETIM 10.0	EC000144
-----------	----------

### UNSPSC

UNSPSC 21.0	27111700
-------------	----------

# SF-PZ 1-80 S-VDE - Screwdriver



1212695

<https://www.phoenixcontact.com/us/products/1212695>

## Environmental product compliance

### EU RoHS

Fulfills EU RoHS substance requirements	Not applicable, No electrical and electronic equipment (EEE), cannot be used in EEE
---	---

### EU REACH SVHC

REACH candidate substance (CAS No.)	No substance above 0.1 wt%
-------------------------------------	----------------------------

### EF3.1 Climate Change

CO2e kg	0.875 kg CO2e
---------	---------------

Phoenix Contact 2026 © - all rights reserved  
<https://www.phoenixcontact.com>

Phoenix Contact USA  
586 Fulling Mill Road  
Middletown, PA 17057, United States  
(+717) 944-1300  
[info@phoenixcon.com](mailto:info@phoenixcon.com)