

SF-SL 1,0X5,5-125 S-VDE - Screwdriver



1212589

<https://www.phoenixcontact.com/us/products/1212589>

Please be informed that the data shown in this PDF document is generated from our online catalog. Please find the complete data in the user documentation. Our general terms of use for downloads are valid.



Actuation tool, for ST terminal blocks, VDE insulated, with slimmer insulation integrated in the blade, also suitable for use as a bladed screwdriver, size: 1.0 x 5.5 x 125 mm, 2-component grip, with non-slip grip

Your advantages

- In addition to standard applications, SF-SL ... screwdrivers are particularly suitable for modular terminal block assembly
- Because the insulation runs into the shaft, there is no protruding edge
- VDE-tested, for maximum safety

Commercial data

Item number	1212589
Packing unit	10 pc
Minimum order quantity	1 pc
Sales key	BH31
Product key	BH3144
GTIN	4046356590242
Weight per piece (including packing)	71.41 g
Weight per piece (excluding packing)	71.41 g
Customs tariff number	82054000
Country of origin	CZ

SF-SL 1,0X5,5-125 S-VDE - Screwdriver



1212589

<https://www.phoenixcontact.com/us/products/1212589>

Technical data

Notes

Environmental Product Compliance

California Proposition 65

Further information on California's prop. 65 is available under "Downloads" in the manufacturer's declaration

Product properties

Product type

Screwdriver tools

Type

Bladed

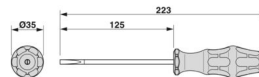
Connection data

Output

Bladed

Dimensions

Dimensional drawing



Width

33 mm

Blade width

5.5 mm

Blade height

125 mm

Length

223 mm

Wrench size

0 mm

Wrench size for mounting

0 mm

Blade thickness

1 mm

Material specifications

Material

alloyed tool steel

Standards and regulations

Tests

DIN/ISO 2380-1 IEC 60900:2004

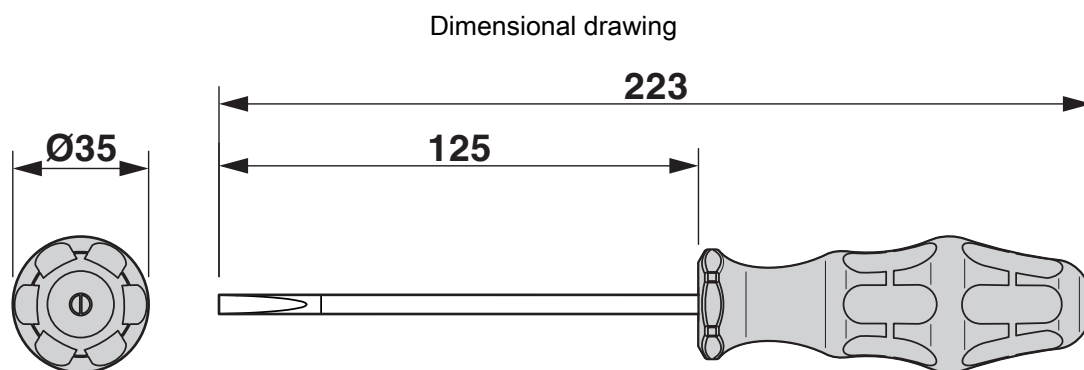
SF-SL 1,0X5,5-125 S-VDE - Screwdriver



1212589

<https://www.phoenixcontact.com/us/products/1212589>

Drawings



SF-SL 1,0X5,5-125 S-VDE - Screwdriver



1212589

<https://www.phoenixcontact.com/us/products/1212589>

Approvals

🔗 To download certificates, visit the product detail page: <https://www.phoenixcontact.com/us/products/1212589>



EAC

Approval ID: RU C-DE.AI30.B.01750



VDE Zeichengenehmigung

Approval ID: 40032921



EAC

Approval ID: 7500525.13.12.00701

SF-SL 1,0X5,5-125 S-VDE - Screwdriver



1212589

<https://www.phoenixcontact.com/us/products/1212589>

Classifications

ECLASS

ECLASS-13.0	21040407
ECLASS-15.0	21040407

ETIM

ETIM 10.0	EC000158
-----------	----------

UNSPSC

UNSPSC 21.0	27111700
-------------	----------

SF-SL 1,0X5,5-125 S-VDE - Screwdriver



1212589

<https://www.phoenixcontact.com/us/products/1212589>

Environmental product compliance

EU RoHS

Fulfills EU RoHS substance requirements

Not applicable, No electrical and electronic equipment (EEE), cannot be used in EEE

EU REACH SVHC

REACH candidate substance (CAS No.)

No substance above 0.1 wt%

EF3.1 Climate Change

CO2e kg

1.268 kg CO2e

Phoenix Contact 2026 © - all rights reserved

<https://www.phoenixcontact.com>

Phoenix Contact USA
586 Fulling Mill Road
Middletown, PA 17057, United States
(+717) 944-1300
info@phoenixcon.com