

# ME-IO 56,4 C 10U D2,4-TRG 7035 - Upper housing part with touch display



1209364

<https://www.phoenixcontact.com/us/products/1209364>

Please be informed that the data shown in this PDF document is generated from our online catalog. Please find the complete data in the user documentation. Our general terms of use for downloads are valid.



DIN rail housing, 10U upper part, integrated 2.4" resistive touch display, resolution: 320 x 240 Pixel(s), interface: 4-wire SPI half duplex, Housing cover, width: 56.88 mm, height: 109.8 mm, depth: 29.5 mm

## Your advantages

- Housing system for visualization and operation in the control cabinet
- Coordinated housings with pre-installed touch displays
- Time-saving assembly of ready-to-use modules
- Can be machined for application-specific connection technology

## Commercial data

Item number	1209364
Packing unit	6 pc
Minimum order quantity	6 pc
Sales key	AC15
Product key	ACHEBI
GTIN	4063151280352
Weight per piece (including packing)	58.366 g
Weight per piece (excluding packing)	43.98 g
Customs tariff number	85480090
Country of origin	CN

# ME-IO 56,4 C 10U D2,4-TRG 7035 - Upper housing part with touch display



1209364

<https://www.phoenixcontact.com/us/products/1209364>

## Set consists of

### DCT T 2,4 QVGA S RTOUCH - Display

1132710

<https://www.phoenixcontact.com/us/products/1132710>

Resistive touch display, 2.4", resolution: 320 x 240 pixels, interface: SPI, contrast ratio: 500:1, aspect ratio: 3:4, interface: "4-wire SPI half duplex, Glue and Play solution", suitable for polyamide and polycarbonate



# ME-IO 56,4 C 10U D2,4-TRG 7035 - Upper housing part with touch display



1209364

<https://www.phoenixcontact.com/us/products/1209364>

## Technical data

### Notes

Assembly note	Please observe the application note in the download area.
---------------	---

### Product properties

Product type	Upper housing part
Housing type	DIN rail housing
Housing type	Multifunctional housings
Housing series	ME-IO
Product family	ME-IO 56,4
Ventilation openings present	no

### Display

Display type	Color display TFT
Display type	resistive
Diagonal	(Display) 2.4 in. / 6.9 cm (Display)
Screen resolution	320 x 240 Pixel(s) (QVGA)
Display formats	4:3
Display lighting type	LED, white
Controller	ST7789V

### Interfaces

Interface	4-wire SPI half duplex
-----------	------------------------

### Dimensions

Width	56.88 mm
Height	109.8 mm
Depth	29.5 mm

### Material specifications

Color (Upper housing part)	light gray (RAL 7035)
Material Upper housing part	PA
Flammability rating according to UL 94	V0
CTI according to IEC 60112	600

### Environmental and real-life conditions

#### Vibration test

Specification	IEC 60068-2-6:2007-12
Result	Test passed
Frequency	10 - 150 - 10 Hz

# ME-IO 56,4 C 10U D2,4-TRG 7035 - Upper housing part with touch display



1209364

<https://www.phoenixcontact.com/us/products/1209364>

Sweep speed	1 octave/min
Amplitude	0.15 mm (10 Hz ... 58.1 Hz)
Acceleration	20 m/s <sup>2</sup>
Test duration per axis	2.5 h
Test directions	X-, Y- and Z-axis

## Shocks

Specification	IEC 60068-2-27:2008-02
Result	Test passed
Acceleration	150 m/s <sup>2</sup>
Shock duration	11 ms
Number of shocks per direction	3
Test directions	X-, Y- and Z-axis (pos. and neg.)

## Test for substances that would hinder coating with paint or varnish

Specification	VDMA 24364:2018-05
Result	Test passed

## Ambient conditions

Max. IP code to attain	IP20
Ambient temperature (operation)	-20 °C ... 70 °C (depending on power dissipation)
Ambient temperature (storage/transport)	-20 °C ... 55 °C
Ambient temperature (assembly)	-5 °C ... 70 °C
Relative humidity (storage/transport)	80 %

## Mounting

Mounting type	Snap in
---------------	---------

## Packaging specifications

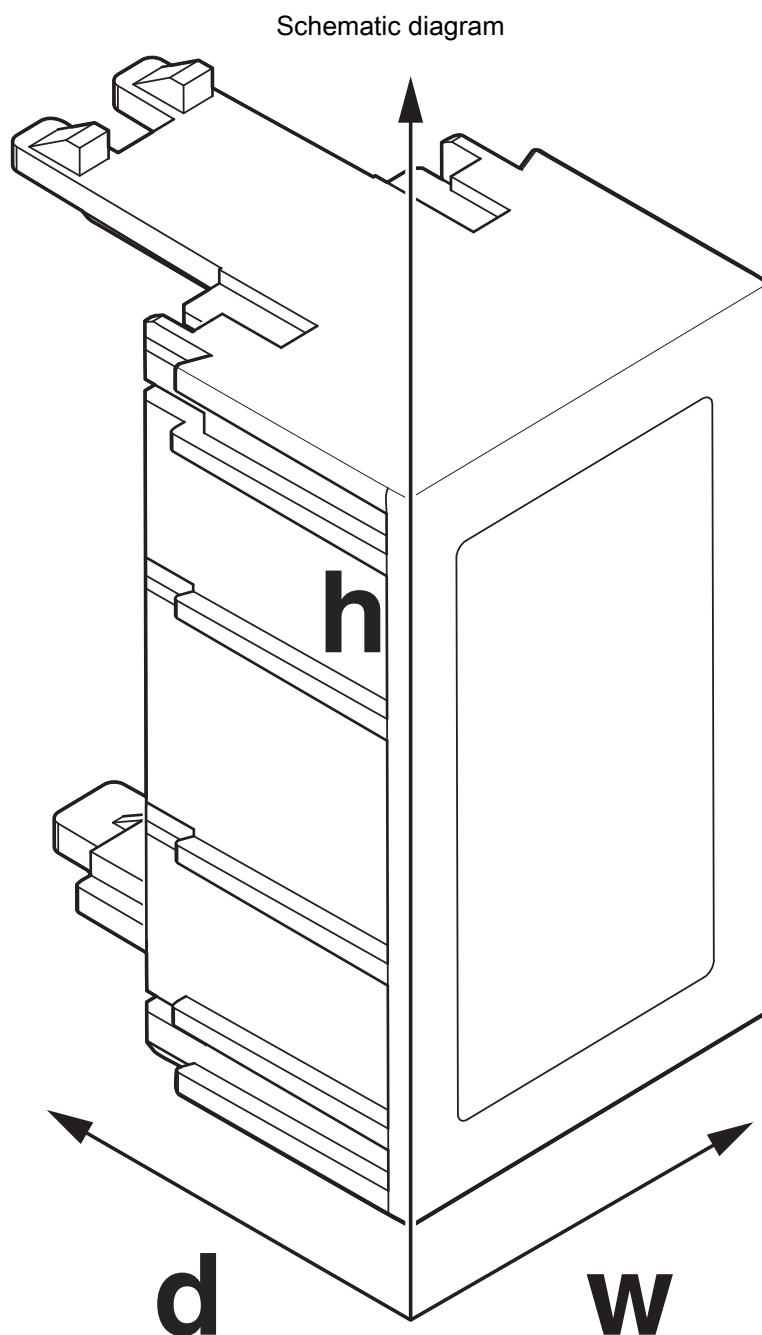
Type of packaging	packed in cardboard
Outer packaging type	Carton

# ME-IO 56,4 C 10U D2,4-TRG 7035 - Upper housing part with touch display

1209364

<https://www.phoenixcontact.com/us/products/1209364>

## Drawings



Schematic figure for illustrating the item dimensions. The figure is not of the desired product. For further details, refer to the product drawings in the "Downloads" tab.

# ME-IO 56,4 C 10U D2,4-TRG 7035 - Upper housing part with touch display



1209364

<https://www.phoenixcontact.com/us/products/1209364>

## Classifications

### ECLASS

ECLASS-13.0	27190603
ECLASS-15.0	27190603

### ETIM

ETIM 10.0	EC002779
-----------	----------

### UNSPSC

UNSPSC 21.0	31261500
-------------	----------

# ME-IO 56,4 C 10U D2,4-TRG 7035 - Upper housing part with touch display



1209364

<https://www.phoenixcontact.com/us/products/1209364>

## Environmental product compliance

### EU RoHS

Fulfills EU RoHS substance requirements	Yes, No exemptions
---	--------------------

### China RoHS

Environment friendly use period (EFUP)	EFUP-E
	No hazardous substances above the limits

### EU REACH SVHC

REACH candidate substance (CAS No.)	No substance above 0.1 wt%
-------------------------------------	----------------------------

Phoenix Contact 2026 © - all rights reserved  
<https://www.phoenixcontact.com>

Phoenix Contact USA  
586 Fulling Mill Road  
Middletown, PA 17057, United States  
(+717) 944-1300  
[info@phoenixcon.com](mailto:info@phoenixcon.com)