

AI 1,5 -10 BK-GB-1000 - Ferrule

1208872

<https://www.phoenixcontact.com/us/products/1208872>

Please be informed that the data shown in this PDF document is generated from our online catalog. Please find the complete data in the user documentation. Our general terms of use for downloads are valid.

Ferrule, Length contact range: 10 mm, sleeve length: 16 mm, color: black



Your advantages

- Due to the increased diameter of the insulating collar, this type of ferrule is specifically used with AWG cables
- These ferrules enable practical crimping of conductors with increased insulation

Commercial data

Item number	1208872
Packing unit	1,000 pc
Minimum order quantity	1,000 pc
Sales key	BH34
Product key	BH341S
GTIN	4046356096454
Weight per piece (including packing)	0.127 g
Weight per piece (excluding packing)	0.127 g
Customs tariff number	85369010
Country of origin	DE

AI 1,5 -10 BK-GB-1000 - Ferrule

1208872

<https://www.phoenixcontact.com/us/products/1208872>

Technical data

Product properties

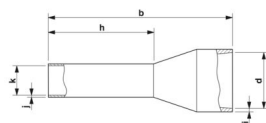
Product type	Cable end sleeve
Conductor category	stranded conductors, class 2, 5, 6 / B, C, K, M

Connection data

Conductor connection

Conductor cross-section flexible max.	1.5 mm ²
Conductor cross-section AWG max.	16
Stripping length	13 mm

Dimensions

Dimensional drawing	
Sleeve length	16 mm
Length contact range	10 mm
Maximum stripping length	13 mm
Ferrule diameter	1.8 mm
Sleeve wall thickness	0.15 mm
Insulating collar thickness	0.3 mm
Inner dimensions of the insulating collar	3.7 mm

Material specifications

Color	black (RAL 9005)
Material	CU-DHP
Flammability rating according to UL 94	HB
Coating	galvanically tin-plated
Surface characteristics	Tin-plated
Components	free from silicone and halogen

Mechanical properties

Technical data

Sleeve length	16 mm
---------------	-------

Environmental and real-life conditions

Ambient conditions

Optimum ambient temperature (storage/transport)	23.00 °C 50.00 % Storage in a dry and dark place in the original packaging is recommended
---	---

AI 1,5 -10 BK-GB-1000 - Ferrule



1208872

<https://www.phoenixcontact.com/us/products/1208872>

Permanent temperature	105 °C (-40 °C no load / 0 °C dynamic load)
Short-term temperature	120 °C

Standards and regulations

Design according to standard	UL 486F-E
------------------------------	-----------

Drawings

Dimensional drawing



Sleeve length (b), length contact range (h), insulating collar inner dimension (d), sleeve diameter (k), insulating collar thickness (i), sleeve wall thickness (j)

AI 1,5 -10 BK-GB-1000 - Ferrule



1208872

<https://www.phoenixcontact.com/us/products/1208872>

Classifications

ECLASS

ECLASS-13.0	27400201
ECLASS-15.0	27400201

ETIM

ETIM 9.0	EC000005
----------	----------

UNSPSC

UNSPSC 21.0	27121700
-------------	----------

AI 1,5 -10 BK-GB-1000 - Ferrule



1208872

<https://www.phoenixcontact.com/us/products/1208872>

Environmental product compliance

China RoHS

Environment friendly use period (EFUP)	EFUP-E
	No hazardous substances above the limits

EU REACH SVHC

REACH candidate substance (CAS No.)	No substance above 0.1 wt%
-------------------------------------	----------------------------

Phoenix Contact 2026 © - all rights reserved
<https://www.phoenixcontact.com>

Phoenix Contact USA
586 Fulling Mill Road
Middletown, PA 17057, United States
(+717) 944-1300
info@phoenixcon.com