

# AI 1 -10 RD-GB-1000 - Ferrule

1208869

<https://www.phoenixcontact.com/us/products/1208869>

Please be informed that the data shown in this PDF document is generated from our online catalog. Please find the complete data in the user documentation. Our general terms of use for downloads are valid.



Ferrule, color: red

## Your advantages

- Due to the increased diameter of the insulating collar, this type of ferrule is specifically used with AWG cables
- These ferrules enable practical crimping of conductors with increased insulation

## Commercial data

Item number	1208869
Packing unit	1,000 pc
Minimum order quantity	1,000 pc
Sales key	BH34
Product key	BH341S
GTIN	4046356096461
Weight per piece (including packing)	0.106 g
Weight per piece (excluding packing)	0.106 g
Customs tariff number	85369010
Country of origin	DE

# AI 1 -10 RD-GB-1000 - Ferrule

1208869

<https://www.phoenixcontact.com/us/products/1208869>

## Technical data

### Product properties

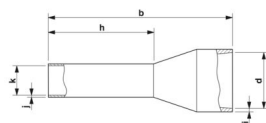
Product type	Cable end sleeve
Conductor category	stranded conductors, class 2, 5, 6 / B, C, K, M

### Connection data

#### Conductor connection

Conductor cross-section flexible max.	1 mm <sup>2</sup>
Conductor cross-section AWG max.	18
Stripping length	13 mm

### Dimensions

Dimensional drawing	
Length	13 mm
Sleeve length	10 mm
Maximum stripping length	13 mm
Ferrule diameter	1.5 mm
Sleeve wall thickness	0.15 mm
Insulating collar thickness	0.3 mm
Inner dimensions of the insulating collar	3.4 mm

### Material specifications

Color	red (RAL 3001)
Material	CU-DHP
Flammability rating according to UL 94	HB
Coating	galvanically tin-plated
Surface characteristics	Tin-plated
Components	free from silicone and halogen

### Mechanical properties

#### Technical data

Sleeve length	10 mm
---------------	-------

### Environmental and real-life conditions

#### Ambient conditions

Optimum ambient temperature (storage/transport)	23.00 °C 50.00 % Storage in a dry and dark place in the original packaging is recommended
---	---

# AI 1 -10 RD-GB-1000 - Ferrule



1208869

<https://www.phoenixcontact.com/us/products/1208869>

Permanent temperature	105 °C (-40 °C no load / 0 °C dynamic load)
Short-term temperature	120 °C

## Standards and regulations

Design according to standard	UL 486F-E
------------------------------	-----------

Drawings

Dimensional drawing



Total length (b), sleeve length (h), ferrule diameter (k), sleeve wall thickness (j), insulating collar thickness (i), insulating collar inner dimension (d)

# AI 1 -10 RD-GB-1000 - Ferrule



1208869

<https://www.phoenixcontact.com/us/products/1208869>

## Classifications

### ECLASS

ECLASS-13.0	27400201
ECLASS-15.0	27400201

### ETIM

ETIM 9.0	EC000005
----------	----------

### UNSPSC

UNSPSC 21.0	27121700
-------------	----------

# AI 1 -10 RD-GB-1000 - Ferrule



1208869

<https://www.phoenixcontact.com/us/products/1208869>

## Environmental product compliance

### EU RoHS

Fulfills EU RoHS substance requirements	Yes, No exemptions
---	--------------------

### China RoHS

Environment friendly use period (EFUP)	EFUP-E
	No hazardous substances above the limits

### EU REACH SVHC

REACH candidate substance (CAS No.)	No substance above 0.1 wt%
-------------------------------------	----------------------------

Phoenix Contact 2026 © - all rights reserved  
<https://www.phoenixcontact.com>

Phoenix Contact USA  
586 Fulling Mill Road  
Middletown, PA 17057, United States  
(+717) 944-1300  
[info@phoenixcon.com](mailto:info@phoenixcon.com)