

# NS 35/15 PERF 1155MM - DIN rail perforated



1207695

<https://www.phoenixcontact.com/us/products/1207695>

Please be informed that the data shown in this PDF document is generated from our online catalog. Please find the complete data in the user documentation. Our general terms of use for downloads are valid.



DIN rail perforated, similar to EN 60715, material: Steel, galvanized, passivated with a thick layer, Standard profile, color: silver

## Commercial data

Item number	1207695
Packing unit	10 pc
Minimum order quantity	10 pc
Sales key	BE72
Product key	BE7244
GTIN	4017918936020
Weight per piece (including packing)	710 g
Weight per piece (excluding packing)	710 g
Customs tariff number	72166190
Country of origin	DE

# NS 35/15 PERF 1155MM - DIN rail perforated



1207695

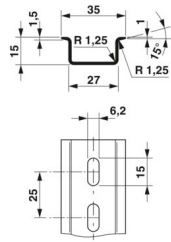
<https://www.phoenixcontact.com/us/products/1207695>

## Technical data

### Product properties

Product type	DIN rail
--------------	----------

### Dimensions

Dimensional drawing	
Width	35 mm
Hole width	15 mm
Hole height	6.2 mm
Depth	15 mm
Length	1155 mm
Drill hole spacing	25 mm

### Material specifications

Color	silver-colored
Material	Steel
Coating	galvanized, passivated with a thick layer

### Standards and regulations

Connection in acc. with standard	IEC / EN
Tests	similar to EN 60715

### Electrical tests

Short-time withstand current	
Equivalent E-Cu cross-section	25 mm <sup>2</sup>
Short-time current resistance 1s	3 kA

# NS 35/15 PERF 1155MM - DIN rail perforated



1207695

<https://www.phoenixcontact.com/us/products/1207695>

## Drawings

Dimensional drawing



# NS 35/15 PERF 1155MM - DIN rail perforated



1207695

<https://www.phoenixcontact.com/us/products/1207695>

## Classifications

### ECLASS

ECLASS-13.0	27400602
ECLASS-15.0	27400602

### ETIM

ETIM 10.0	EC001285
-----------	----------

### UNSPSC

UNSPSC 21.0	39121700
-------------	----------

# NS 35/15 PERF 1155MM - DIN rail perforated



1207695

<https://www.phoenixcontact.com/us/products/1207695>

## Environmental product compliance

### EU RoHS

Fulfills EU RoHS substance requirements	Yes, No exemptions
---	--------------------

### China RoHS

Environment friendly use period (EFUP)	EFUP-E
	No hazardous substances above the limits

### EU REACH SVHC

REACH candidate substance (CAS No.)	No substance above 0.1 wt%
-------------------------------------	----------------------------

### EF3.1 Climate Change

CO2e kg	1.732 kg CO2e
---------	---------------

Phoenix Contact 2026 © - all rights reserved  
<https://www.phoenixcontact.com>

Phoenix Contact USA  
586 Fulling Mill Road  
Middletown, PA 17057, United States  
(+717) 944-1300  
[info@phoenixcon.com](mailto:info@phoenixcon.com)