

NS 35/ 7,5 PERF 755MM - DIN rail perforated



1207640

<https://www.phoenixcontact.com/us/products/1207640>

Please be informed that the data shown in this PDF document is generated from our online catalog. Please find the complete data in the user documentation. Our general terms of use for downloads are valid.



DIN rail perforated, acc. to EN 60715, material: Steel, galvanized, passivated with a thick layer, Standard profile, color: silver

Commercial data

| | |
|--------------------------------------|---------------|
| Item number | 1207640 |
| Packing unit | 10 pc |
| Minimum order quantity | 10 pc |
| Sales key | BE72 |
| Product key | BE7244 |
| GTIN | 4017918932640 |
| Weight per piece (including packing) | 240 g |
| Weight per piece (excluding packing) | 240 g |
| Customs tariff number | 72166190 |
| Country of origin | DE |

NS 35/ 7,5 PERF 755MM - DIN rail perforated



1207640

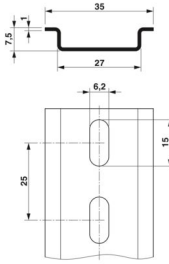
<https://www.phoenixcontact.com/us/products/1207640>

Technical data

Product properties

| | |
|--------------|----------|
| Product type | DIN rail |
|--------------|----------|

Dimensions

| | |
|---------------------|--|
| Dimensional drawing |  |
| Width | 35 mm |
| Hole width | 15 mm |
| Hole height | 6.2 mm |
| Depth | 7.5 mm |
| Length | 755 mm |
| Drill hole spacing | 25 mm |

Material specifications

| | |
|----------|---|
| Color | silver-colored |
| Material | Steel |
| Coating | galvanized, passivated with a thick layer |

Standards and regulations

| | |
|----------------------------------|------------------|
| Connection in acc. with standard | IEC / EN |
| Tests | acc. to EN 60715 |

Electrical tests

| | |
|----------------------------------|--------------------|
| Short-time withstand current | |
| Equivalent E-Cu cross-section | 16 mm ² |
| Short-time current resistance 1s | 1.92 kA |

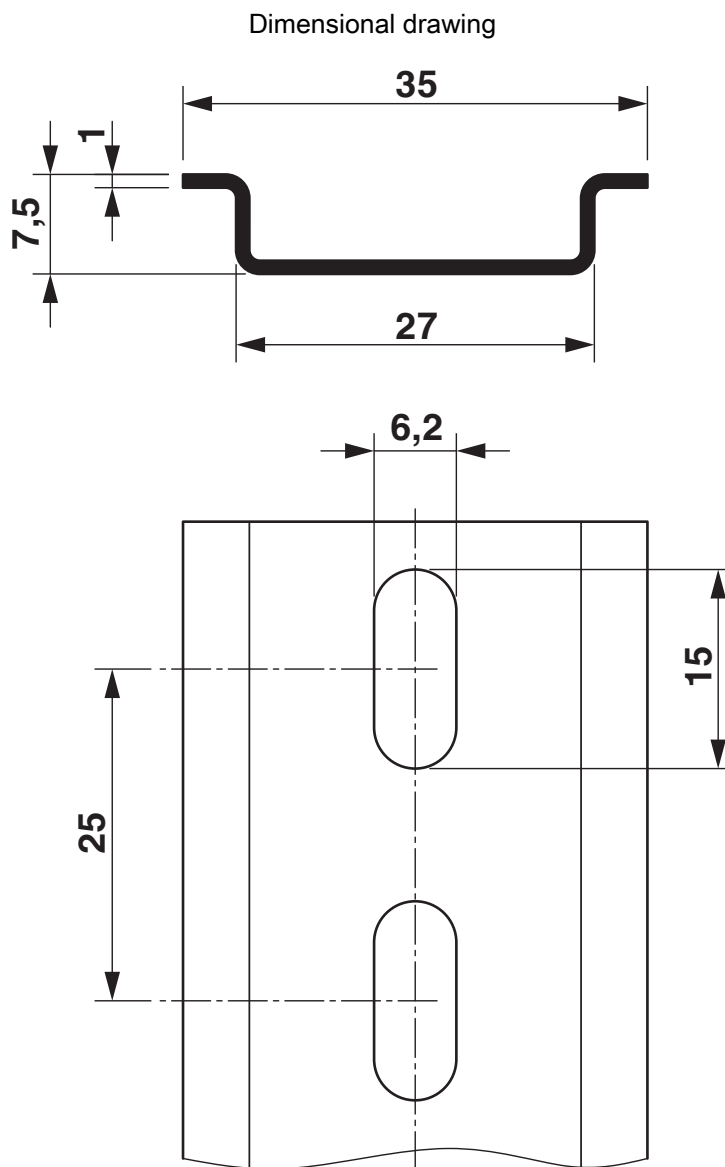
NS 35/ 7,5 PERF 755MM - DIN rail perforated

1207640

<https://www.phoenixcontact.com/us/products/1207640>



Drawings



NS 35/ 7,5 PERF 755MM - DIN rail perforated



1207640

<https://www.phoenixcontact.com/us/products/1207640>

Classifications

ECLASS

| | |
|-------------|----------|
| ECLASS-13.0 | 27400602 |
| ECLASS-15.0 | 27400602 |

ETIM

| | |
|-----------|----------|
| ETIM 10.0 | EC001285 |
|-----------|----------|

UNSPSC

| | |
|-------------|----------|
| UNSPSC 21.0 | 39121700 |
|-------------|----------|

NS 35/ 7,5 PERF 755MM - DIN rail perforated



1207640

<https://www.phoenixcontact.com/us/products/1207640>

Environmental product compliance

EU RoHS

| | |
|---|--------------------|
| Fulfills EU RoHS substance requirements | Yes, No exemptions |
|---|--------------------|

China RoHS

| | |
|--|--|
| Environment friendly use period (EFUP) | EFUP-E |
| | No hazardous substances above the limits |

EU REACH SVHC

| | |
|-------------------------------------|----------------------------|
| REACH candidate substance (CAS No.) | No substance above 0.1 wt% |
|-------------------------------------|----------------------------|

EF3.1 Climate Change

| | |
|---------|---------------|
| CO2e kg | 0.648 kg CO2e |
|---------|---------------|

Phoenix Contact 2026 © - all rights reserved
<https://www.phoenixcontact.com>

Phoenix Contact USA
586 Fulling Mill Road
Middletown, PA 17057, United States
(+717) 944-1300
info@phoenixcon.com