

# NS 35/15 ZN UNPERF 2000MM - DIN rail, unperforated



1206586

<https://www.phoenixcontact.com/us/products/1206586>

Please be informed that the data shown in this PDF document is generated from our online catalog. Please find the complete data in the user documentation. Our general terms of use for downloads are valid.



DIN rail, unperforated, Pack of 25 (50 m), similar to EN 60715, material: Steel, zinc plating, Standard profile, color: silver-colored

## Commercial data

|                                      |               |
|--------------------------------------|---------------|
| Item number                          | 1206586       |
| Packing unit                         | 25 m          |
| Minimum order quantity               | 50 m          |
| Sales key                            | BE72          |
| Product key                          | BE7232        |
| GTIN                                 | 4017918173067 |
| Weight per piece (including packing) | 1,350 g       |
| Weight per piece (excluding packing) | 1,350 g       |
| Customs tariff number                | 72166190      |
| Country of origin                    | DE            |

# NS 35/15 ZN UNPERF 2000MM - DIN rail, unperforated



1206586

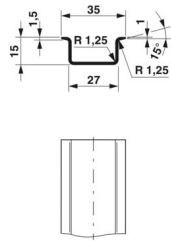
<https://www.phoenixcontact.com/us/products/1206586>

## Technical data

### Product properties

|              |          |
|--------------|----------|
| Product type | DIN rail |
|--------------|----------|

### Dimensions

|                     |   |
|---------------------|---|
| Dimensional drawing |  |
| Width               | 35 mm   |
| Depth               | 15 mm   |
| Length              | 2000 mm   |

### Material specifications

|          |                |
|----------|----------------|
| Color    | silver-colored |
| Material | Steel          |
| Coating  | zinc plating   |

### Standards and regulations

|                                  |                     |
|----------------------------------|---------------------|
| Connection in acc. with standard | IEC / EN            |
| Tests                            | similar to EN 60715 |

### Electrical tests

#### Short-time withstand current

|                                  |                    |
|----------------------------------|--------------------|
| Equivalent E-Cu cross-section    | 25 mm <sup>2</sup> |
| Short-time current resistance 1s | 3 kA               |

# NS 35/15 ZN UNPERF 2000MM - DIN rail, unperforated

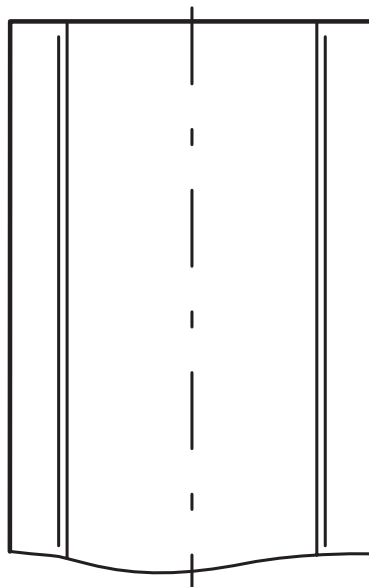
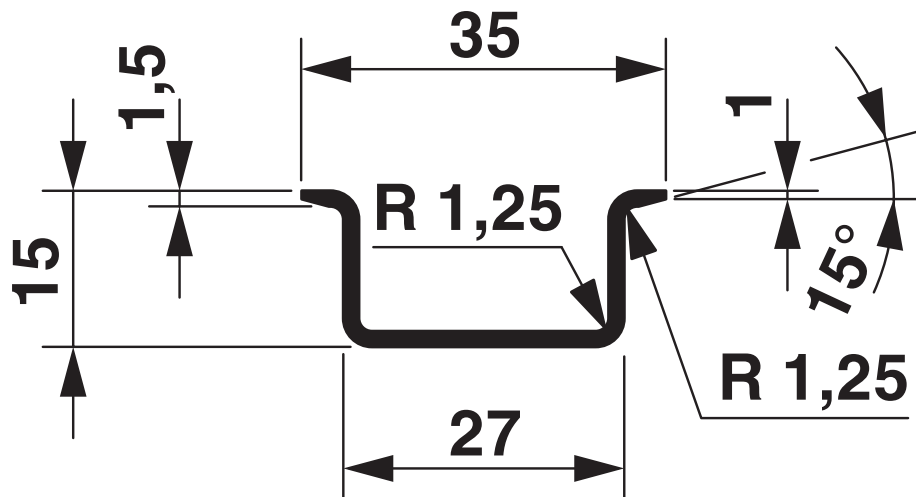


1206586

<https://www.phoenixcontact.com/us/products/1206586>

## Drawings

Dimensional drawing



# NS 35/15 ZN UNPERF 2000MM - DIN rail, unperforated



1206586

<https://www.phoenixcontact.com/us/products/1206586>

## Classifications

### ECLASS

|             |          |
|-------------|----------|
| ECLASS-13.0 | 27400602 |
| ECLASS-15.0 | 27400602 |

### ETIM

|           |          |
|-----------|----------|
| ETIM 10.0 | EC001285 |
|-----------|----------|

### UNSPSC

|             |          |
|-------------|----------|
| UNSPSC 21.0 | 39121700 |
|-------------|----------|

# NS 35/15 ZN UNPERF 2000MM - DIN rail, unperforated



1206586

<https://www.phoenixcontact.com/us/products/1206586>

## Environmental product compliance

### EU RoHS

|   |                    |
|---|--------------------|
| Fulfills EU RoHS substance requirements | Yes, No exemptions |
|---|--------------------|

### China RoHS

|  |  |
|--|--|
| Environment friendly use period (EFUP) | EFUP-E                                   |
|  | No hazardous substances above the limits |

### EU REACH SVHC

|                                     |                            |
|-------------------------------------|----------------------------|
| REACH candidate substance (CAS No.) | No substance above 0.1 wt% |
|-------------------------------------|----------------------------|

### EF3.1 Climate Change

|         |               |
|---------|---------------|
| CO2e kg | 1.907 kg CO2e |
|---------|---------------|

Phoenix Contact 2026 © - all rights reserved  
<https://www.phoenixcontact.com>

Phoenix Contact USA  
586 Fulling Mill Road  
Middletown, PA 17057, United States  
(+717) 944-1300  
[info@phoenixcon.com](mailto:info@phoenixcon.com)