

# NS 35/ 7,5 WH PERF(5,2X25)2000MM-VPE 10 - DIN rail perforated



1206418

<https://www.phoenixcontact.com/us/products/1206418>

Please be informed that the data shown in this PDF document is generated from our online catalog. Please find the complete data in the user documentation. Our general terms of use for downloads are valid.



DIN rail perforated, Pack of 10 (20 m), acc. to EN 60715, material: Steel, galvanized, white passivated, Standard profile, color: silver-colored

## Commercial data

Item number	1206418
Packing unit	10 m
Minimum order quantity	20 m
Sales key	BE72
Product key	BE7243
GTIN	4017918170820
Weight per piece (including packing)	660 g
Weight per piece (excluding packing)	660 g
Customs tariff number	72166190
Country of origin	DE

# NS 35/ 7,5 WH PERF(5,2X25)2000MM-VPE 10 - DIN rail perforated



1206418

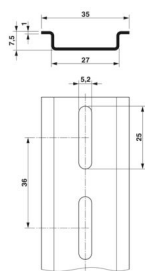
<https://www.phoenixcontact.com/us/products/1206418>

## Technical data

### Product properties

Product type	DIN rail
--------------	----------

### Dimensions

Dimensional drawing	
Width	35 mm
Hole width	25 mm
Hole height	5.2 mm
Depth	7.5 mm
Length	2000 mm
Drill hole spacing	36 mm

### Material specifications

Color	silver-colored
Material	Steel
Coating	galvanized, white passivated

### Standards and regulations

Connection in acc. with standard	IEC / EN
Tests	acc. to EN 60715

### Electrical tests

#### Short-time withstand current

Equivalent E-Cu cross-section	16 mm <sup>2</sup>
Short-time current resistance 1s	1.92 kA

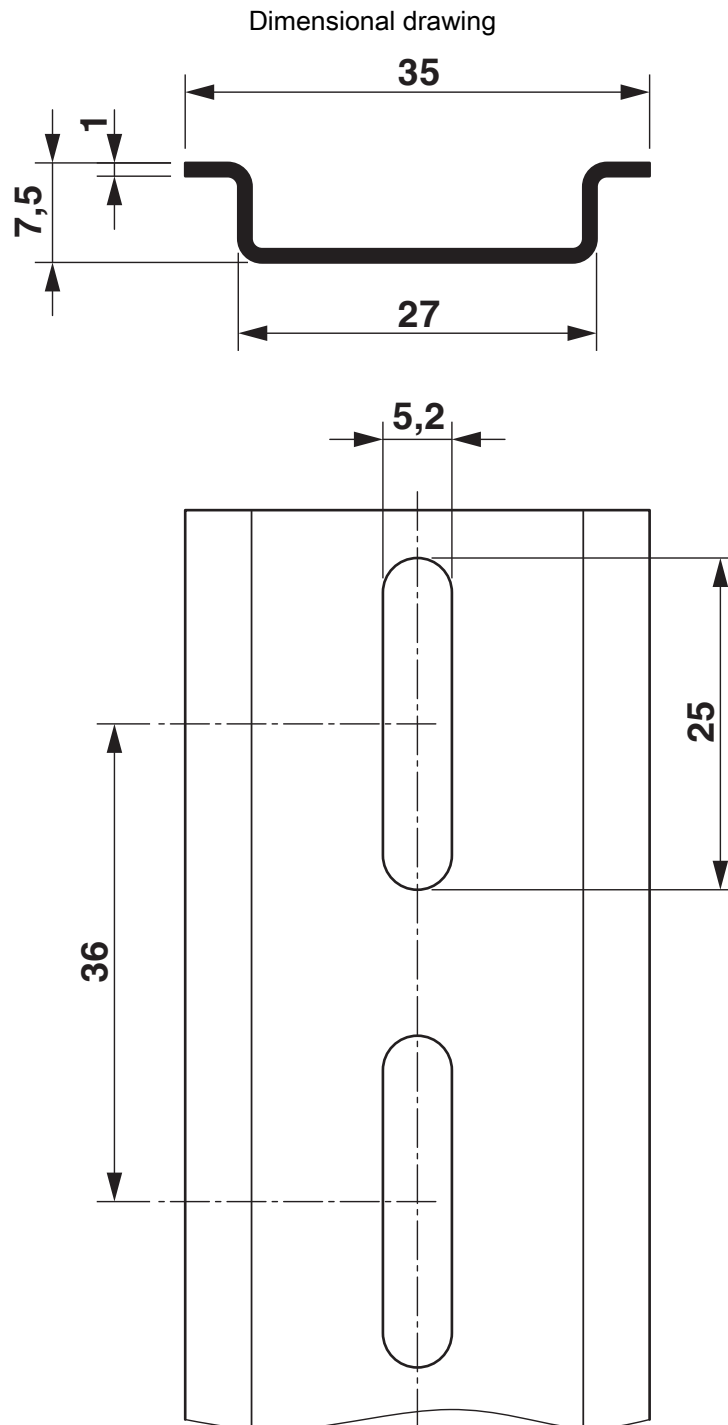
# NS 35/ 7,5 WH PERF(5,2X25)2000MM-VPE 10 - DIN rail perforated



1206418

<https://www.phoenixcontact.com/us/products/1206418>

## Drawings



# NS 35/ 7,5 WH PERF(5,2X25)2000MM-VPE 10 - DIN rail perforated



1206418

<https://www.phoenixcontact.com/us/products/1206418>

## Classifications

### ECLASS

ECLASS-13.0	27400602
ECLASS-15.0	27400602

### ETIM

ETIM 10.0	EC001285
-----------	----------

### UNSPSC

UNSPSC 21.0	39121700
-------------	----------

# NS 35/ 7,5 WH PERF(5,2X25)2000MM-VPE 10 - DIN rail perforated



1206418

<https://www.phoenixcontact.com/us/products/1206418>

## Environmental product compliance

### EU RoHS

Fulfills EU RoHS substance requirements	Yes, No exemptions
---	--------------------

### China RoHS

Environment friendly use period (EFUP)	EFUP-E
	No hazardous substances above the limits

### EU REACH SVHC

REACH candidate substance (CAS No.)	No substance above 0.1 wt%
-------------------------------------	----------------------------

Phoenix Contact 2026 © - all rights reserved  
<https://www.phoenixcontact.com>

Phoenix Contact USA  
586 Fulling Mill Road  
Middletown, PA 17057, United States  
(+717) 944-1300  
[info@phoenixcon.com](mailto:info@phoenixcon.com)