

# SZK PH2 VDE - Screwdriver



1205163

<https://www.phoenixcontact.com/us/products/1205163>

Please be informed that the data shown in this PDF document is generated from our online catalog. Please find the complete data in the user documentation. Our general terms of use for downloads are valid.



Screwdriver, PH crosshead, VDE insulated, size: PH 2 x 100 mm, 2-component grip, with non-slip grip

## Your advantages

- Screwdrivers for Phillips screws with Pozidriv and Phillips Recess screw head
- VDE approval

## Commercial data

Item number	1205163
Packing unit	10 pc
Minimum order quantity	1 pc
Sales key	BH31
Product key	BH3145
GTIN	4017918019174
Weight per piece (including packing)	97.19 g
Weight per piece (excluding packing)	97.19 g
Customs tariff number	82054000
Country of origin	CZ

# SZK PH2 VDE - Screwdriver



1205163

<https://www.phoenixcontact.com/us/products/1205163>

## Technical data

### Notes

#### Environmental Product Compliance

California Proposition 65

Further information on California's prop. 65 is available under "Downloads" in the manufacturer's declaration

### Product properties

Product type

Screwdriver tools

Type

Phillips

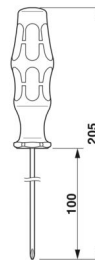
### Connection data

Output

Crosshead/Phillips Recess

### Dimensions

Dimensional drawing



Width

37 mm

Blade width

6 mm

Blade height

100 mm

Length

205 mm

Wrench size

0 mm

Wrench size for mounting

0 mm

### Material specifications

Material

alloyed tool steel

### Standards and regulations

Tests

DIN/ISO 8764-1 PH IEC 60900:2004

# SZK PH2 VDE - Screwdriver

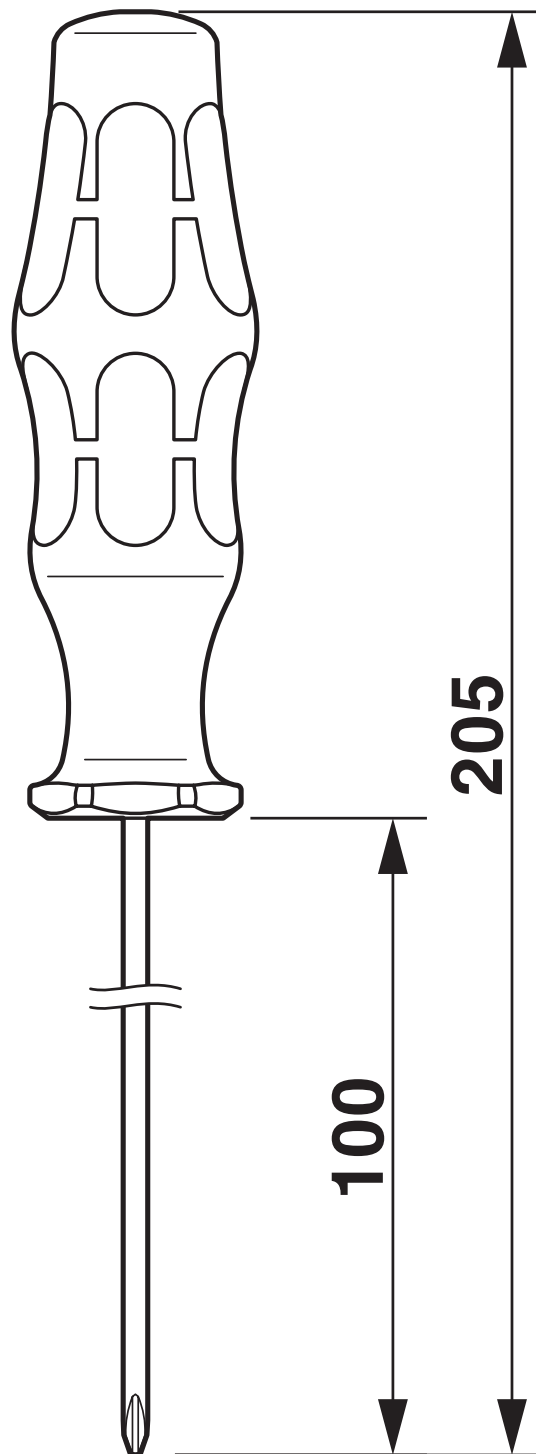
1205163

<https://www.phoenixcontact.com/us/products/1205163>



## Drawings

Dimensional drawing



# SZK PH2 VDE - Screwdriver



1205163

<https://www.phoenixcontact.com/us/products/1205163>

## Approvals

To download certificates, visit the product detail page: <https://www.phoenixcontact.com/us/products/1205163>



**EAC**

Approval ID: RU x-DE.xx08.B.02974



**VDE approval of drawings**

Approval ID: 086858

# SZK PH2 VDE - Screwdriver



1205163

<https://www.phoenixcontact.com/us/products/1205163>

## Classifications

### ECLASS

ECLASS-13.0	21040406
ECLASS-15.0	21040406

### ETIM

ETIM 10.0	EC000144
-----------	----------

### UNSPSC

UNSPSC 21.0	27111700
-------------	----------

# SZK PH2 VDE - Screwdriver



1205163

<https://www.phoenixcontact.com/us/products/1205163>

## Environmental product compliance

### EU RoHS

Fulfills EU RoHS substance requirements	Not applicable, No electrical and electronic equipment (EEE), cannot be used in EEE
---	---

### EU REACH SVHC

REACH candidate substance (CAS No.)	No substance above 0.1 wt%
-------------------------------------	----------------------------

### EF3.1 Climate Change

CO2e kg	1.121 kg CO2e
---------	---------------

Phoenix Contact 2026 © - all rights reserved  
<https://www.phoenixcontact.com>

Phoenix Contact USA  
586 Fulling Mill Road  
Middletown, PA 17057, United States  
(+717) 944-1300  
[info@phoenixcon.com](mailto:info@phoenixcon.com)