

SZG 0,9X6,5 VDE - Screwdriver



1205134

<https://www.phoenixcontact.com/us/products/1205134>

Please be informed that the data shown in this PDF document is generated from our online catalog. Please find the complete data in the user documentation. Our general terms of use for downloads are valid.



Screwdriver, slot-headed, graded, for test socket screws, size: 0.9 x 6.5 x 175 mm, 2-component grip, with non-slip grip

Your advantages

- Screwdriver ideally suited for test socket screws
- For working on or in the vicinity of live parts up to 1000 V AC or 1500 V DC
- The tools feature ergonomic two-component safety handles
- VDE-tested, for maximum safety

Commercial data

Item number	1205134
Packing unit	10 pc
Minimum order quantity	1 pc
Sales key	BH31
Product key	BH3144
GTIN	4017918019143
Weight per piece (including packing)	143.75 g
Weight per piece (excluding packing)	147.97 g
Customs tariff number	82054000
Country of origin	CZ

SZG 0,9X6,5 VDE - Screwdriver



1205134

<https://www.phoenixcontact.com/us/products/1205134>

Technical data

Notes

General	Stepped blade
Environmental Product Compliance	
California Proposition 65	Further information on California's prop. 65 is available under "Downloads" in the manufacturer's declaration

Product properties

Product type	Screwdriver tools
Type	Bladed

Connection data

Output	Test socket screws
--------	--------------------

Dimensions

Dimensional drawing	
Width	40 mm
Blade width	6.5 mm
Blade height	175 mm
Length	287 mm
Wrench size	0 mm
Wrench size for mounting	0 mm
Blade thickness	0.9 mm

Material specifications

Material	alloyed tool steel
----------	--------------------

Standards and regulations

Tests	IEC 60900:2004
-------	----------------

SZG 0,9X6,5 VDE - Screwdriver

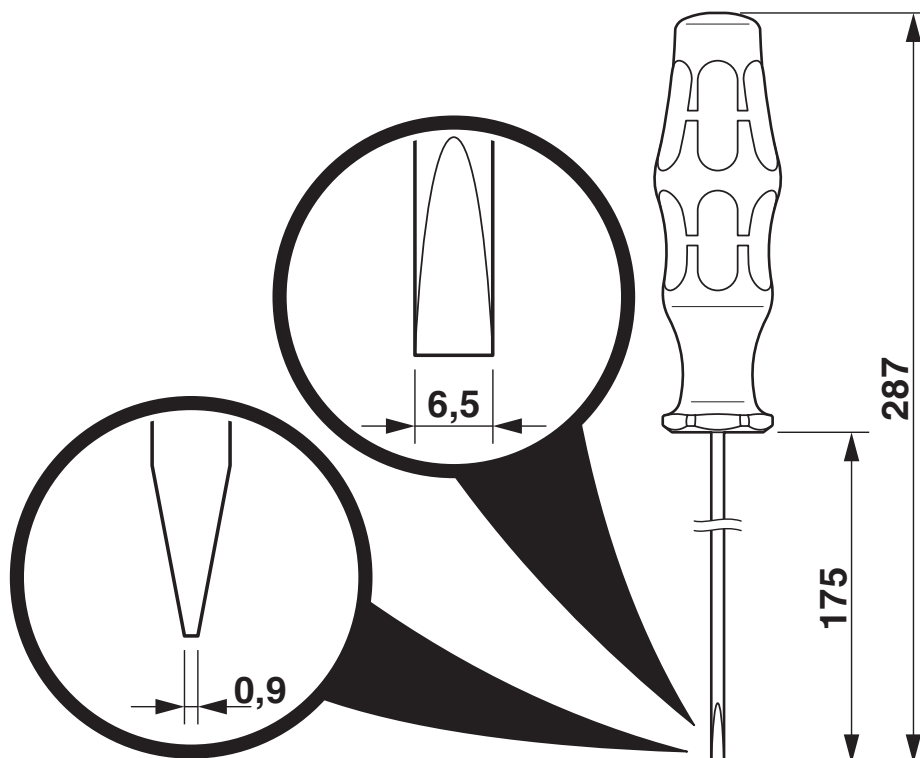
1205134

<https://www.phoenixcontact.com/us/products/1205134>



Drawings

Dimensional drawing



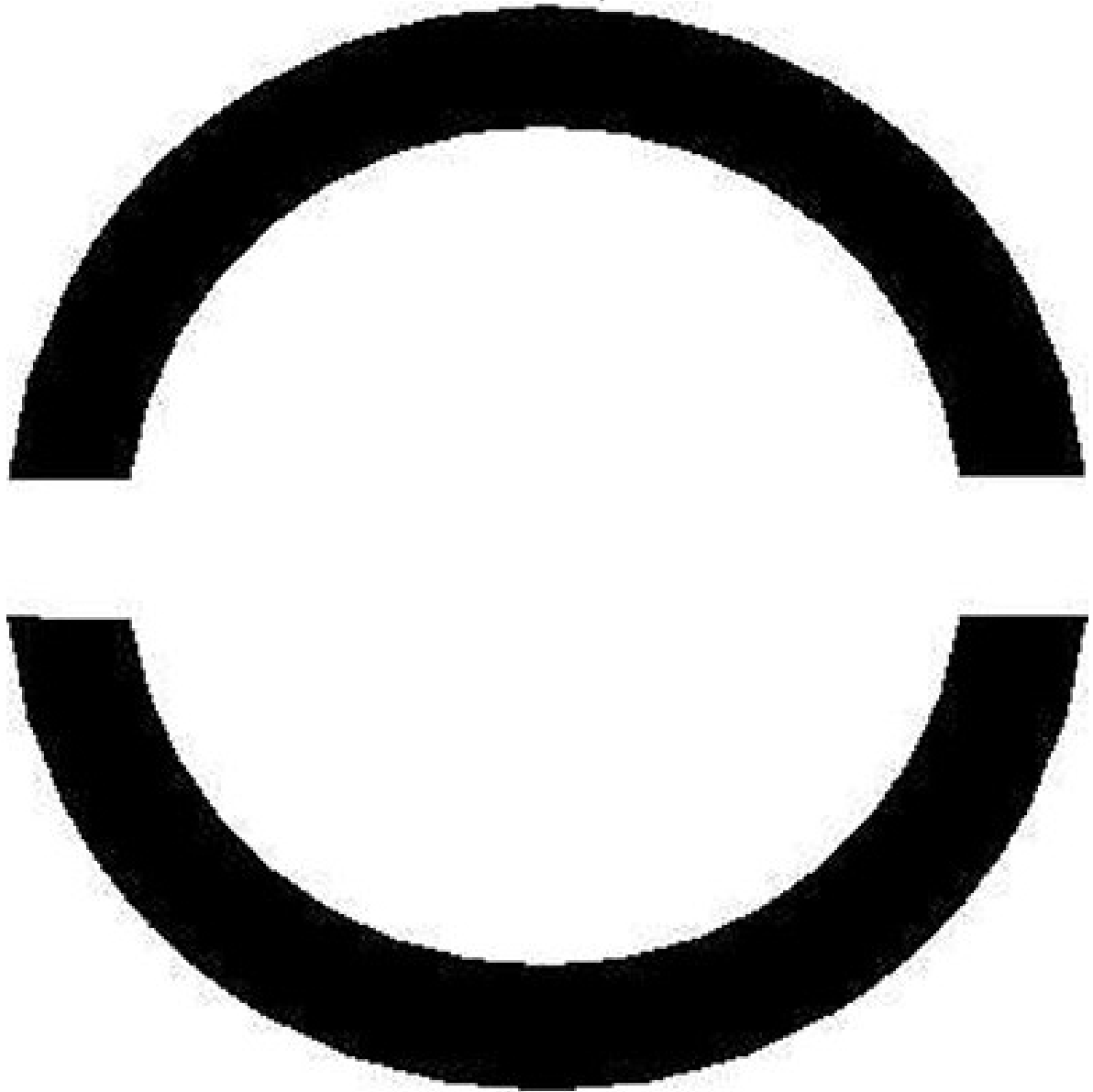
SZG 0,9X6,5 VDE - Screwdriver

1205134

<https://www.phoenixcontact.com/us/products/1205134>



Schematic diagram



SZG 0,9X6,5 VDE - Screwdriver



1205134

<https://www.phoenixcontact.com/us/products/1205134>

Approvals

📄 To download certificates, visit the product detail page: <https://www.phoenixcontact.com/us/products/1205134>



EAC

Approval ID: RU x-DE.xx08.B.02974



VDE Zeichengenehmigung

Approval ID: 086858



EAC

Approval ID: 7500525.13.12.00701

SZG 0,9X6,5 VDE - Screwdriver



1205134

<https://www.phoenixcontact.com/us/products/1205134>

Classifications

ECLASS

ECLASS-13.0	21040407
ECLASS-15.0	21040407

ETIM

ETIM 10.0	EC000158
-----------	----------

UNSPSC

UNSPSC 21.0	27111700
-------------	----------

SZG 0,9X6,5 VDE - Screwdriver



1205134

<https://www.phoenixcontact.com/us/products/1205134>

Environmental product compliance

EU RoHS

Fulfills EU RoHS substance requirements	Not applicable, No electrical and electronic equipment (EEE), cannot be used in EEE
---	---

EU REACH SVHC

REACH candidate substance (CAS No.)	No substance above 0.1 wt%
-------------------------------------	----------------------------

EF3.1 Climate Change

CO2e kg	1.178 kg CO2e
---------	---------------

Phoenix Contact 2026 © - all rights reserved
<https://www.phoenixcontact.com>

Phoenix Contact USA
586 Fulling Mill Road
Middletown, PA 17057, United States
(+717) 944-1300
info@phoenixcon.com