

SZS 0,6X3,5 - Screwdriver

1205053

<https://www.phoenixcontact.com/us/products/1205053>



Please be informed that the data shown in this PDF document is generated from our online catalog. Please find the complete data in the user documentation. Our general terms of use for downloads are valid.



Actuation tool, for ST terminal blocks, insulated, also suitable for use as a bladed screwdriver, size: 0.6 x 3.5 x 100 mm, 2-component grip, with non-slip grip

Your advantages

- In addition to its standard application, this screwdriver is also ideal for actuating ST ... and QTC ... modular terminal blocks

Commercial data

Item number	1205053
Packing unit	10 pc
Minimum order quantity	1 pc
Sales key	BH31
Product key	BH3144
GTIN	4017918019099
Weight per piece (including packing)	33.35 g
Weight per piece (excluding packing)	34.65 g
Customs tariff number	82054000
Country of origin	CZ

SZS 0,6X3,5 - Screwdriver

1205053

<https://www.phoenixcontact.com/us/products/1205053>



Technical data

Notes

Environmental Product Compliance

California Proposition 65

Further information on California's prop. 65 is available under "Downloads" in the manufacturer's declaration

Product properties

Product type

Screwdriver tools

Type

Bladed

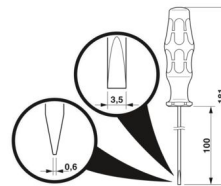
Connection data

Output

Bladed

Dimensions

Dimensional drawing



Width

26 mm

Blade width

3.5 mm

Blade height

100 mm

Length

181 mm

Wrench size

0 mm

Wrench size for mounting

0 mm

Blade thickness

0.6 mm

Material specifications

Material

alloyed tool steel

Standards and regulations

Tests

DIN/ISO 2380-1

SZS 0,6X3,5 - Screwdriver

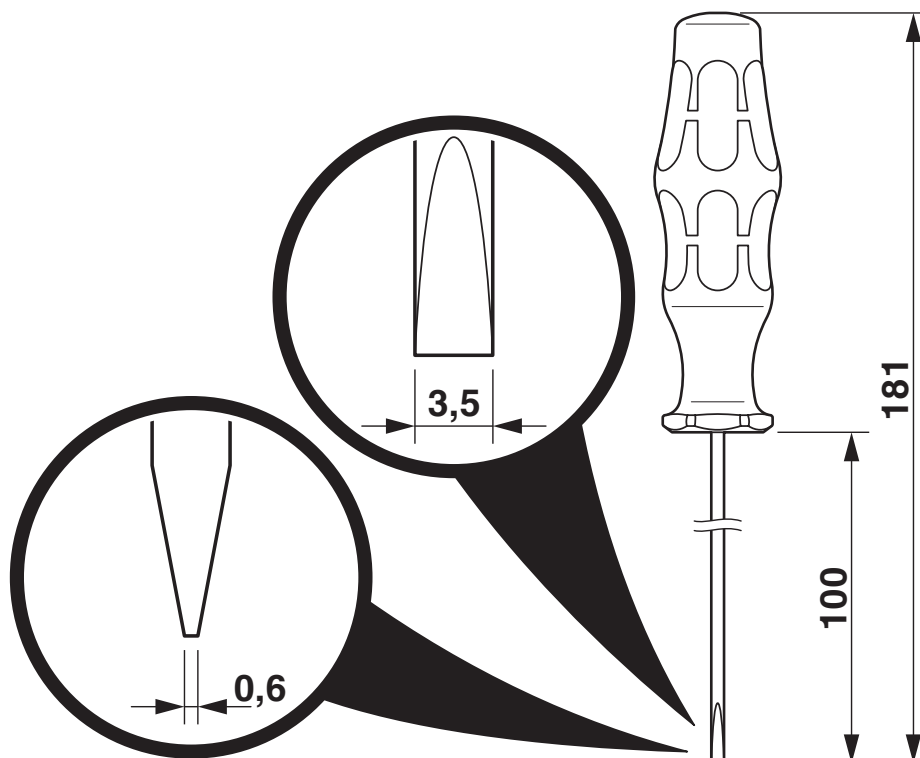
1205053

<https://www.phoenixcontact.com/us/products/1205053>



Drawings

Dimensional drawing



SZS 0,6X3,5 - Screwdriver

1205053

<https://www.phoenixcontact.com/us/products/1205053>



Approvals

To download certificates, visit the product detail page: <https://www.phoenixcontact.com/us/products/1205053>



EAC

Approval ID: RU x-DE.xx08.B.02974

SZS 0,6X3,5 - Screwdriver

1205053

<https://www.phoenixcontact.com/us/products/1205053>



Classifications

ECLASS

ECLASS-13.0	21040407
ECLASS-15.0	21040407

ETIM

ETIM 10.0	EC000158
-----------	----------

UNSPSC

UNSPSC 21.0	27111700
-------------	----------

SZS 0,6X3,5 - Screwdriver

1205053

<https://www.phoenixcontact.com/us/products/1205053>



Environmental product compliance

EU RoHS

Fulfills EU RoHS substance requirements	Not applicable, No electrical and electronic equipment (EEE), cannot be used in EEE
---	---

EU REACH SVHC

REACH candidate substance (CAS No.)	No substance above 0.1 wt%
-------------------------------------	----------------------------

EF3.1 Climate Change

CO2e kg	0.492 kg CO2e
---------	---------------

Phoenix Contact 2026 © - all rights reserved

<https://www.phoenixcontact.com>

Phoenix Contact USA
586 Fulling Mill Road
Middletown, PA 17057, United States
(+717) 944-1300
info@phoenixcon.com