

# NS 35/15 CU UNPERF 2000MM-VPE 10 - DIN rail, unperforated



1201895

<https://www.phoenixcontact.com/us/products/1201895>

Please be informed that the data shown in this PDF document is generated from our online catalog. Please find the complete data in the user documentation. Our general terms of use for downloads are valid.



DIN rail, unperforated, Pack of 10 (20 m), similar to EN 60715, material: Copper, uncoated, Standard profile, color: copper-colored

## Commercial data

Item number	1201895
Packing unit	10 m
Minimum order quantity	20 m
Sales key	BE72
Product key	BE7236
GTIN	4017918017583
Weight per piece (including packing)	1,500 g
Weight per piece (excluding packing)	1,500 g
Customs tariff number	74072190
Country of origin	DE

# NS 35/15 CU UNPERF 2000MM-VPE 10 - DIN rail, unperforated



1201895

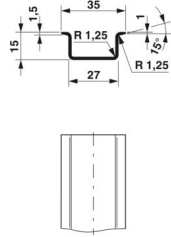
<https://www.phoenixcontact.com/us/products/1201895>

## Technical data

### Product properties

Product type	DIN rail
--------------	----------

### Dimensions

Dimensional drawing	
Width	35 mm
Depth	15 mm
Length	2000 mm

### Material specifications

Color	copper color
Material	Copper
Coating	uncoated

### Standards and regulations

Connection in acc. with standard	IEC / EN
Tests	similar to EN 60715

### Electrical tests

Short-time withstand current	
Equivalent E-Cu cross-section	95 mm <sup>2</sup>
Short-time current resistance 1s	11.4 kA
Max. permissible thermal nominal current for PEN function	232 A

# NS 35/15 CU UNPERF 2000MM-VPE 10 - DIN rail, unperforated

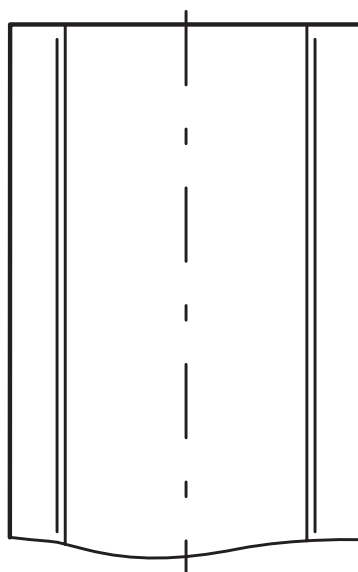
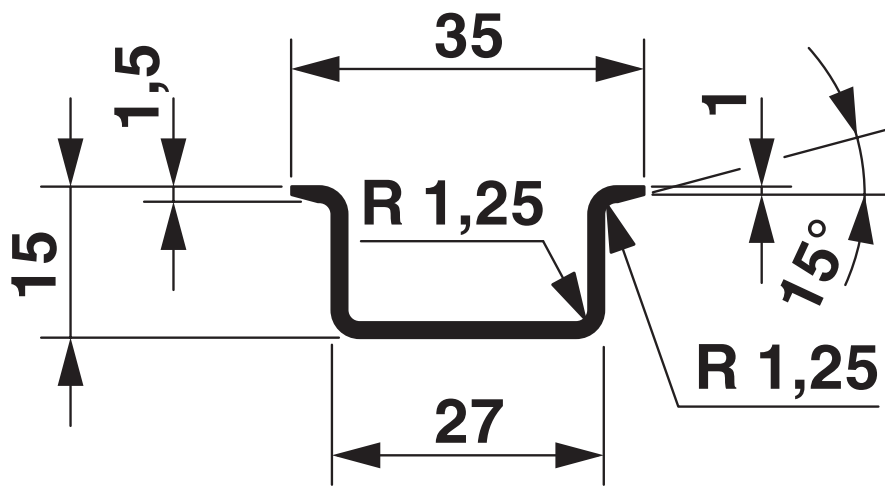


1201895

<https://www.phoenixcontact.com/us/products/1201895>

## Drawings

Dimensional drawing



# NS 35/15 CU UNPERF 2000MM-VPE 10 - DIN rail, unperforated



1201895

<https://www.phoenixcontact.com/us/products/1201895>

## Classifications

### ECLASS

ECLASS-13.0	27400602
ECLASS-15.0	27400602

### ETIM

ETIM 10.0	EC001285
-----------	----------

### UNSPSC

UNSPSC 21.0	39121700
-------------	----------

# NS 35/15 CU UNPERF 2000MM-VPE 10 - DIN rail, unperforated



1201895

<https://www.phoenixcontact.com/us/products/1201895>

## Environmental product compliance

### EU RoHS

Fulfills EU RoHS substance requirements	Yes, No exemptions
---	--------------------

### China RoHS

Environment friendly use period (EFUP)	EFUP-E
	No hazardous substances above the limits

### EU REACH SVHC

REACH candidate substance (CAS No.)	No substance above 0.1 wt%
-------------------------------------	----------------------------

Phoenix Contact 2026 © - all rights reserved  
<https://www.phoenixcontact.com>

Phoenix Contact USA  
586 Fulling Mill Road  
Middletown, PA 17057, United States  
(+717) 944-1300  
[info@phoenixcon.com](mailto:info@phoenixcon.com)