

# GLM 5 - Nut

1201772

<https://www.phoenixcontact.com/us/products/1201772>



Please be informed that the data shown in this PDF document is generated from our online catalog. Please find the complete data in the user documentation. Our general terms of use for downloads are valid.

Slide nut, for DIN rail NS 35/15-AL, with M5 thread, for mounting equipment, material: Steel



## Your advantages

- The slide nuts even enable components without an additional snap-on foot to be mounted
- The NS 35/15 AL DIN rail is designed to accommodate GLM ... slide nuts

## Commercial data

Item number	1201772
Packing unit	100 pc
Minimum order quantity	100 pc
Sales key	BE72
Product key	BE723Z
GTIN	4017918017491
Weight per piece (including packing)	6.1 g
Weight per piece (excluding packing)	6.077 g
Customs tariff number	73181575
Country of origin	DE

# GLM 5 - Nut

1201772

<https://www.phoenixcontact.com/us/products/1201772>

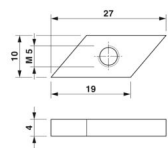


## Technical data

### Product properties

Product type	Mounting material
--------------	-------------------

### Dimensions

Dimensional drawing	
Width	9.9 mm
Height	19 mm
Depth	4 mm
Length	19 mm

### Material specifications

Color	silver-colored
Material	Steel
Coating	zinc plating

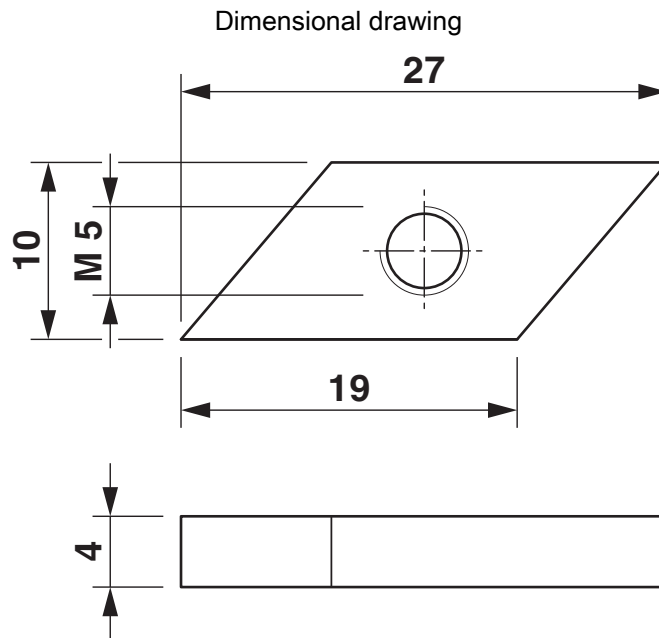
# GLM 5 - Nut

1201772

<https://www.phoenixcontact.com/us/products/1201772>



## Drawings



# GLM 5 - Nut

1201772

<https://www.phoenixcontact.com/us/products/1201772>



## Classifications

### ECLASS

ECLASS-15.0	27182807
ECLASS-13.0	27182807

### ETIM

ETIM 10.0	EC002625
-----------	----------

### UNSPSC

UNSPSC 21.0	39121700
-------------	----------

# GLM 5 - Nut



1201772

<https://www.phoenixcontact.com/us/products/1201772>

## Environmental product compliance

### EU RoHS

Fulfills EU RoHS substance requirements	Yes, No exemptions
---	--------------------

### China RoHS

Environment friendly use period (EFUP)	EFUP-E
	No hazardous substances above the limits

### EU REACH SVHC

REACH candidate substance (CAS No.)	No substance above 0.1 wt%
-------------------------------------	----------------------------

### EF3.1 Climate Change

CO2e kg	0.063 kg CO2e
---------	---------------

Phoenix Contact 2026 © - all rights reserved  
<https://www.phoenixcontact.com>

Phoenix Contact USA  
586 Fulling Mill Road  
Middletown, PA 17057, United States  
(+717) 944-1300  
[info@phoenixcon.com](mailto:info@phoenixcon.com)