

BG/SHA - Angled brackets

1201594

<https://www.phoenixcontact.com/us/products/1201594>

Please be informed that the data shown in this PDF document is generated from our online catalog. Please find the complete data in the user documentation. Our general terms of use for downloads are valid.



Angled brackets with M6 screw, DIN rail limit stop, for fixing DIN rails at an angle of 30°, height: 46 mm

Your advantages

- The BG/S brackets can be used to fix DIN rails at a distance from the mounting surface
- 30° tilt angle

Commercial data

Item number	1201594
Packing unit	10 pc
Minimum order quantity	10 pc
Sales key	BE07
Product key	BE7112
GTIN	4017918017408
Weight per piece (including packing)	48.96 g
Weight per piece (excluding packing)	48.46 g
Customs tariff number	73269098
Country of origin	DE

BG/SHA - Angled brackets

1201594

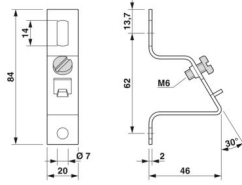
<https://www.phoenixcontact.com/us/products/1201594>

Technical data

Product properties

Product type	DIN rail
--------------	----------

Dimensions

Dimensional drawing	
Width	20 mm
Height	84 mm
Depth	46 mm
Length	84 mm

Material specifications

Color	silver-colored
Material	Steel
Coating	galvanized, passivated with a thick layer

BG/SHA - Angled brackets

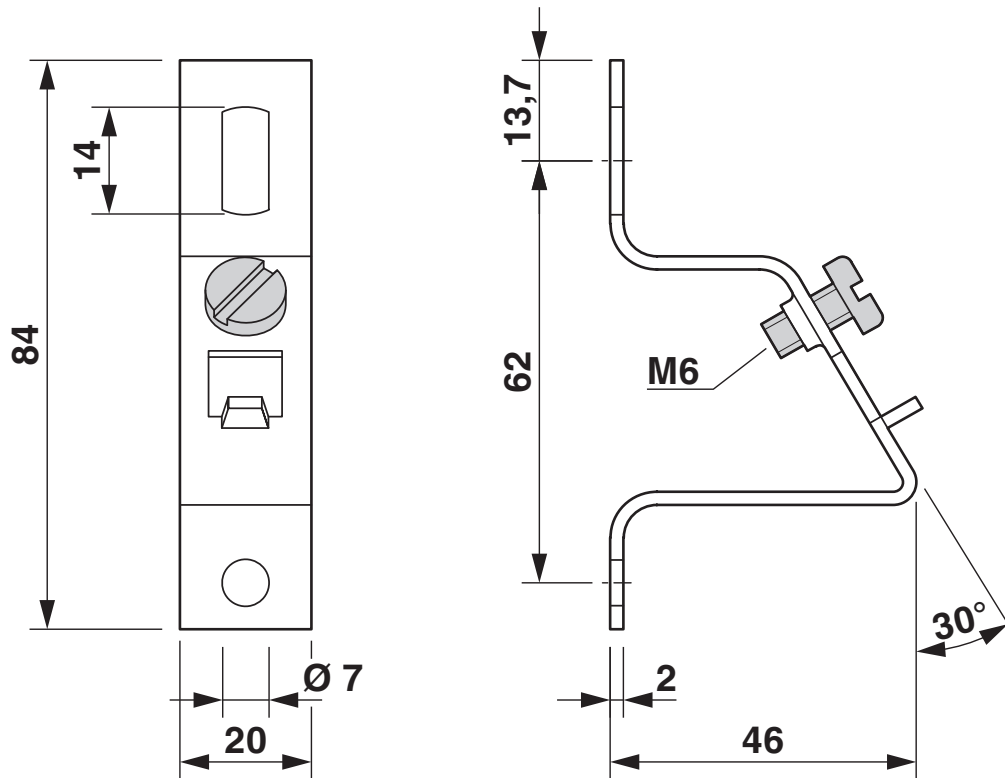
1201594

<https://www.phoenixcontact.com/us/products/1201594>



Drawings

Dimensional drawing



BG/SHA - Angled brackets



1201594

<https://www.phoenixcontact.com/us/products/1201594>

Classifications

ECLASS

ECLASS-13.0	27370419
ECLASS-15.0	27370419

ETIM

ETIM 10.0	EC001024
-----------	----------

UNSPSC

UNSPSC 21.0	39121400
-------------	----------

BG/SHA - Angled brackets



1201594

<https://www.phoenixcontact.com/us/products/1201594>

Environmental product compliance

EU RoHS

Fulfills EU RoHS substance requirements	Yes, No exemptions
---	--------------------

China RoHS

Environment friendly use period (EFUP)	EFUP-E
	No hazardous substances above the limits

EU REACH SVHC

REACH candidate substance (CAS No.)	No substance above 0.1 wt%
-------------------------------------	----------------------------

EF3.1 Climate Change

CO2e kg	0.124 kg CO2e
---------	---------------

Phoenix Contact 2026 © - all rights reserved
<https://www.phoenixcontact.com>

Phoenix Contact USA
586 Fulling Mill Road
Middletown, PA 17057, United States
(+717) 944-1300
info@phoenixcon.com