

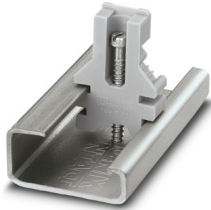
E/U - End bracket

1201455

<https://www.phoenixcontact.com/us/products/1201455>

Please be informed that the data shown in this PDF document is generated from our online catalog. Please find the complete data in the user documentation. Our general terms of use for downloads are valid.

End clamp, width: 8.5 mm, color: gray



Commercial data

Item number	1201455
Packing unit	100 pc
Minimum order quantity	100 pc
Sales key	BE07
Product key	BE7111
GTIN	4017918017330
Weight per piece (including packing)	4.488 g
Weight per piece (excluding packing)	4.488 g
Customs tariff number	39269097
Country of origin	PL

E/U - End bracket

1201455

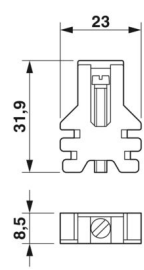
<https://www.phoenixcontact.com/us/products/1201455>

Technical data

Product properties

Product type	End bracket
--------------	-------------

Dimensions

Dimensional drawing	
Width	8.5 mm
Height	23 mm
Depth on NS 35/7,5	33.4 mm
Length	23 mm

Material specifications

Color	gray (RAL 7042)
Material	PA
Flammability rating according to UL 94	V2

Environmental and real-life conditions

Ambient conditions

Ambient temperature (operation)	-60 °C ... 105 °C (max. short-term operating temperature RTI Elec.)
Ambient temperature (storage/transport)	-25 °C ... 60 °C (for a short time, not exceeding 24 h, -60 °C to +70 °C)
Ambient temperature (assembly)	-5 °C ... 70 °C
Ambient temperature (actuation)	-5 °C ... 70 °C
Permissible humidity (storage/transport)	30 % ... 70 %

Mounting

Mounting type	NS 32
---------------	-------

E/U - End bracket

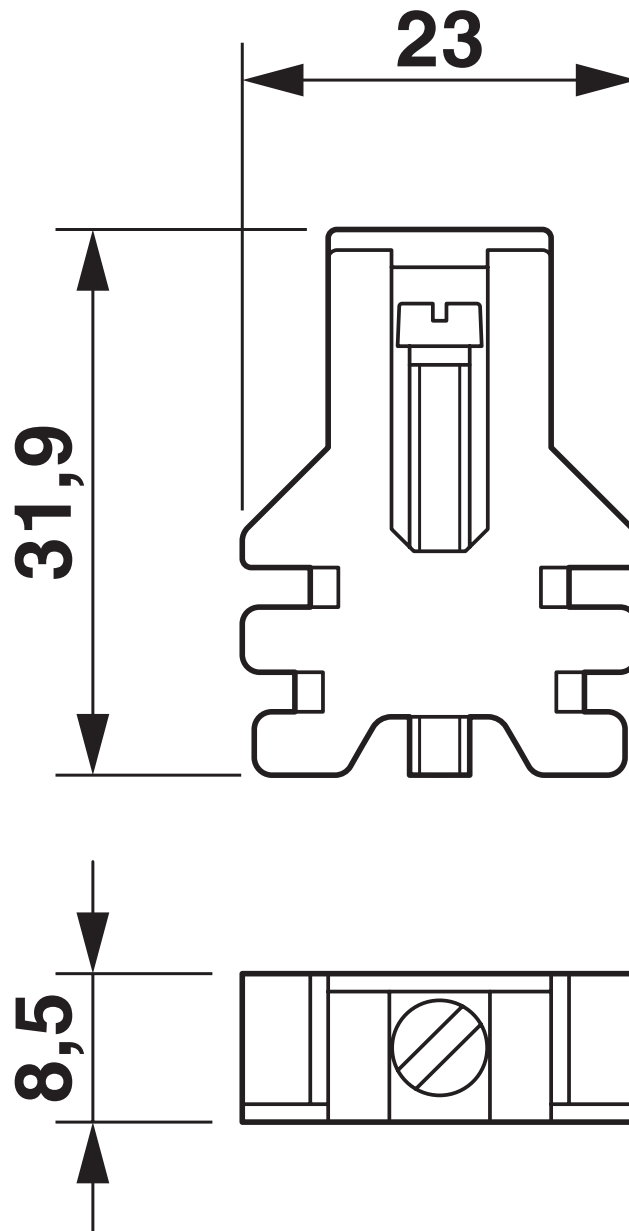
1201455

<https://www.phoenixcontact.com/us/products/1201455>



Drawings

Dimensional drawing



E/U - End bracket



1201455

<https://www.phoenixcontact.com/us/products/1201455>

Classifications

ECLASS

ECLASS-13.0	27250302
ECLASS-15.0	27250302

ETIM

ETIM 10.0	EC001041
-----------	----------

UNSPSC

UNSPSC 21.0	39121400
-------------	----------

E/U - End bracket



1201455

<https://www.phoenixcontact.com/us/products/1201455>

Environmental product compliance

EU RoHS

Fulfills EU RoHS substance requirements	Yes, No exemptions
---	--------------------

China RoHS

Environment friendly use period (EFUP)	EFUP-E
	No hazardous substances above the limits

EU REACH SVHC

REACH candidate substance (CAS No.)	No substance above 0.1 wt%
-------------------------------------	----------------------------

Phoenix Contact 2026 © - all rights reserved
<https://www.phoenixcontact.com>

Phoenix Contact USA
586 Fulling Mill Road
Middletown, PA 17057, United States
(+717) 944-1300
info@phoenixcon.com