

# E/UK 1 - End bracket

1201413

<https://www.phoenixcontact.com/us/products/1201413>

Please be informed that the data shown in this PDF document is generated from our online catalog. Please find the complete data in the user documentation. Our general terms of use for downloads are valid.



End clamps, for supporting the ends of double-level and three-level terminal blocks, width: 10 mm, color: gray

## Your advantages

- Large-surface marking
- With universal foot for NS 35 and NS 32 DIN rails
- Tall and low design

## Commercial data

Item number	1201413
Packing unit	50 pc
Minimum order quantity	50 pc
Sales key	BE07
Product key	BE7111
GTIN	4017918017316
Weight per piece (including packing)	10.73 g
Weight per piece (excluding packing)	10.2 g
Customs tariff number	39269097
Country of origin	PL

# E/UK 1 - End bracket

1201413

<https://www.phoenixcontact.com/us/products/1201413>

## Technical data

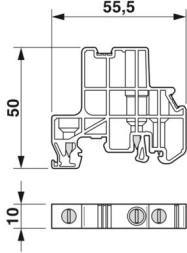
### Product properties

Product type	End bracket
--------------	-------------

### Connection data

Tightening torque	0.5 ... 0.6 Nm
-------------------	----------------

### Dimensions

Dimensional drawing	
Width	10 mm
Height	55.5 mm
Depth	50 mm
Depth on NS 35/7,5	51.5 mm
Length	55.5 mm

### Material specifications

Color	gray (RAL 7042)
Material	PA
Flammability rating according to UL 94	V2
Static insulating material application in cold	-40 °C
Relative insulation material temperature index (Elec., UL 746 B)	125 °C

### Environmental and real-life conditions

#### Ambient conditions

Ambient temperature (operation)	-60 °C ... 105 °C (max. short-term operating temperature RTI Elec.)
Ambient temperature (storage/transport)	-25 °C ... 60 °C (for a short time, not exceeding 24 h, -60 °C to +70 °C)
Ambient temperature (assembly)	-5 °C ... 70 °C
Ambient temperature (actuation)	-5 °C ... 70 °C
Permissible humidity (storage/transport)	30 % ... 70 %

### Mounting

Mounting type	NS 35/7,5
	NS 35/15
	NS 32

# E/UK 1 - End bracket

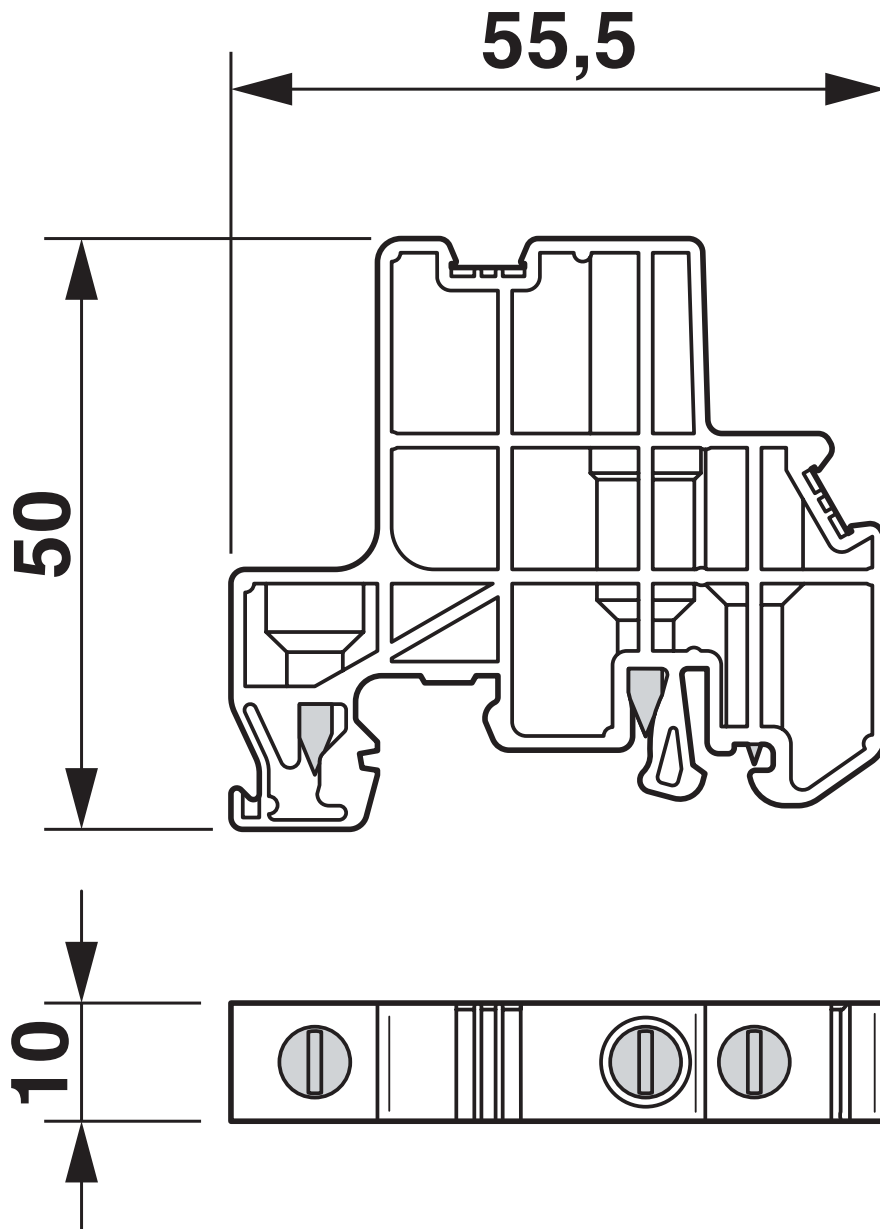
1201413

<https://www.phoenixcontact.com/us/products/1201413>



## Drawings

Dimensional drawing



# E/UK 1 - End bracket



1201413

<https://www.phoenixcontact.com/us/products/1201413>

## Classifications

### ECLASS

ECLASS-13.0	27250302
ECLASS-15.0	27250302

### ETIM

ETIM 10.0	EC001041
-----------	----------

### UNSPSC

UNSPSC 21.0	39121400
-------------	----------

1201413

<https://www.phoenixcontact.com/us/products/1201413>

## Environmental product compliance

### EU RoHS

Fulfills EU RoHS substance requirements	Yes, No exemptions
---	--------------------

### China RoHS

Environment friendly use period (EFUP)	EFUP-E
	No hazardous substances above the limits

### EU REACH SVHC

REACH candidate substance (CAS No.)	No substance above 0.1 wt%
-------------------------------------	----------------------------

### EF3.1 Climate Change

CO2e kg	0.057 kg CO2e
---------	---------------

Phoenix Contact 2026 © - all rights reserved  
<https://www.phoenixcontact.com>

Phoenix Contact USA  
586 Fulling Mill Road  
Middletown, PA 17057, United States  
(+717) 944-1300  
[info@phoenixcon.com](mailto:info@phoenixcon.com)