

AB/NS - Support bracket

1201141

<https://www.phoenixcontact.com/us/products/1201141>

Please be informed that the data shown in this PDF document is generated from our online catalog. Please find the complete data in the user documentation. Our general terms of use for downloads are valid.



Support bracket, for insulated mounting of DIN rails in insulated systems, plastic, 21 mm high

Your advantages

- The support can be used for fully insulated DIN rail support bracket

Commercial data

| | |
|--------------------------------------|---------------|
| Item number | 1201141 |
| Packing unit | 10 pc |
| Minimum order quantity | 10 pc |
| Sales key | BE07 |
| Product key | BE7113 |
| GTIN | 4017918017248 |
| Weight per piece (including packing) | 17.4 g |
| Weight per piece (excluding packing) | 17.16 g |
| Customs tariff number | 39269097 |
| Country of origin | DE |

AB/NS - Support bracket

1201141

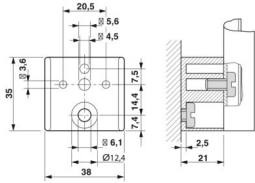
<https://www.phoenixcontact.com/us/products/1201141>

Technical data

Product properties

| | |
|--------------|-----------------|
| Product type | Support bracket |
|--------------|-----------------|

Dimensions

| | |
|---------------------|--|
| Dimensional drawing |  |
| Width | 38 mm |
| Height | 35 mm |
| Depth | 21 mm |
| Length | 35 mm |
| Diameter | 7.2 mm |

Material specifications

| | |
|--|-----------------|
| Color | gray (RAL 7042) |
| Material | PA |
| Flammability rating according to UL 94 | V2 |
| Coating | uncoated |

Environmental and real-life conditions

Ambient conditions

| | |
|--|---|
| Ambient temperature (operation) | -60 °C ... 105 °C (max. short-term operating temperature RTI Elec.) |
| Ambient temperature (storage/transport) | -25 °C ... 60 °C (for a short time, not exceeding 24 h, -60 °C to +70 °C) |
| Ambient temperature (assembly) | -5 °C ... 70 °C |
| Ambient temperature (actuation) | -5 °C ... 70 °C |
| Permissible humidity (storage/transport) | 30 % ... 70 % |

Mounting

| | |
|---------------|-----------------|
| Mounting type | Direct mounting |
|---------------|-----------------|

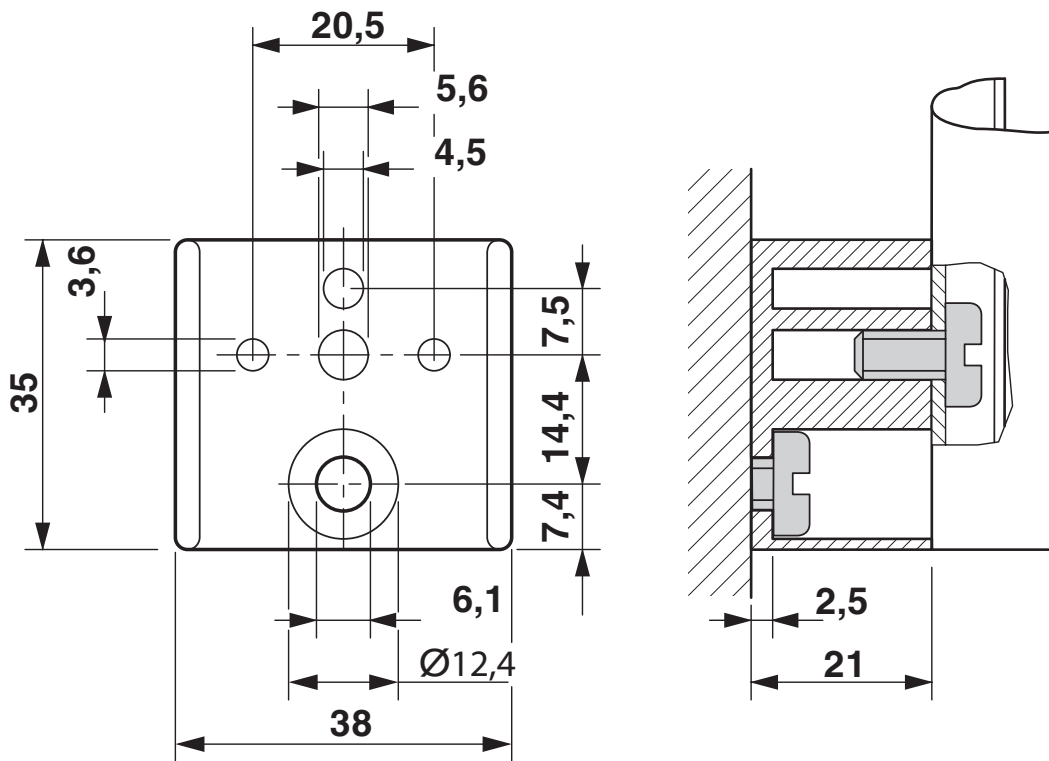
AB/NS - Support bracket

1201141

<https://www.phoenixcontact.com/us/products/1201141>

Drawings

Dimensional drawing



AB/NS - Support bracket



1201141

<https://www.phoenixcontact.com/us/products/1201141>

Classifications

ECLASS

| | |
|-------------|----------|
| ECLASS-13.0 | 27370419 |
| ECLASS-15.0 | 27370419 |

ETIM

| | |
|-----------|----------|
| ETIM 10.0 | EC001024 |
|-----------|----------|

UNSPSC

| | |
|-------------|----------|
| UNSPSC 21.0 | 39121400 |
|-------------|----------|

AB/NS - Support bracket



1201141

<https://www.phoenixcontact.com/us/products/1201141>

Environmental product compliance

EU RoHS

| | |
|---|--------------------|
| Fulfills EU RoHS substance requirements | Yes, No exemptions |
|---|--------------------|

China RoHS

| | |
|--|--|
| Environment friendly use period (EFUP) | EFUP-E |
| | No hazardous substances above the limits |

EU REACH SVHC

| | |
|-------------------------------------|----------------------------|
| REACH candidate substance (CAS No.) | No substance above 0.1 wt% |
|-------------------------------------|----------------------------|

EF3.1 Climate Change

| | |
|---------|---------------|
| CO2e kg | 0.086 kg CO2e |
|---------|---------------|

Phoenix Contact 2026 © - all rights reserved
<https://www.phoenixcontact.com>

Phoenix Contact USA
586 Fulling Mill Road
Middletown, PA 17057, United States
(+717) 944-1300
info@phoenixcon.com