

E/1 - End bracket

1201044

<https://www.phoenixcontact.com/us/products/1201044>

Please be informed that the data shown in this PDF document is generated from our online catalog. Please find the complete data in the user documentation. Our general terms of use for downloads are valid.

End clamp, width: 8 mm



Commercial data

Item number	1201044
Packing unit	100 pc
Minimum order quantity	100 pc
Sales key	BE07
Product key	BE7111
GTIN	4017918017170
Weight per piece (including packing)	9.558 g
Weight per piece (excluding packing)	9.558 g
Customs tariff number	85369010
Country of origin	PL

E/1 - End bracket

1201044

<https://www.phoenixcontact.com/us/products/1201044>



Technical data

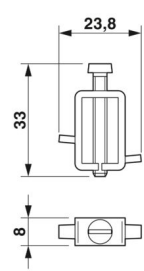
Product properties

Product type	End bracket
--------------	-------------

Connection data

Tightening torque	... 1.2 Nm
-------------------	------------

Dimensions

Dimensional drawing	
Width	8 mm
Height	23.5 mm
Depth on NS 35/7,5	34.5 mm
Length	23.5 mm

Material specifications

Color	silver-colored
Material	Steel
Flammability rating according to UL 94	-

Mounting

Mounting type	NS 32
---------------	-------

E/1 - End bracket

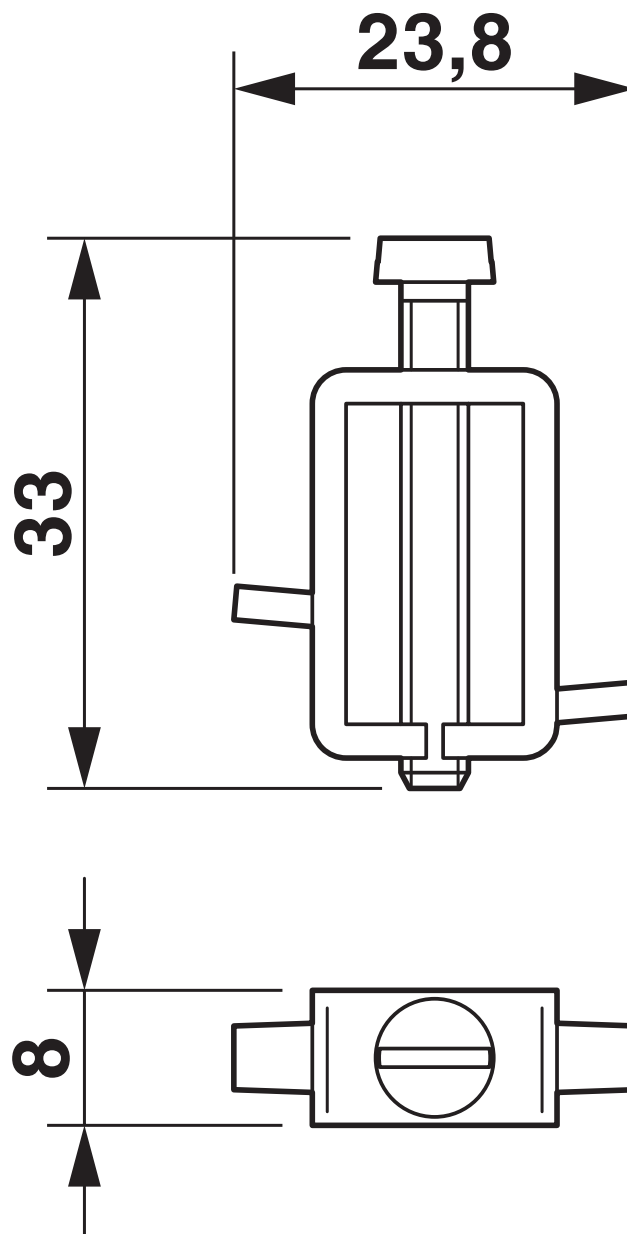
1201044

<https://www.phoenixcontact.com/us/products/1201044>



Drawings

Dimensional drawing



E/1 - End bracket



1201044

<https://www.phoenixcontact.com/us/products/1201044>

Classifications

ECLASS

ECLASS-13.0	27250302
ECLASS-15.0	27250302

ETIM

ETIM 10.0	EC001041
-----------	----------

UNSPSC

UNSPSC 21.0	39121400
-------------	----------

E/1 - End bracket



1201044

<https://www.phoenixcontact.com/us/products/1201044>

Environmental product compliance

EU RoHS

Fulfills EU RoHS substance requirements	Yes, No exemptions
---	--------------------

China RoHS

Environment friendly use period (EFUP)	EFUP-E
	No hazardous substances above the limits

EU REACH SVHC

REACH candidate substance (CAS No.)	No substance above 0.1 wt%
-------------------------------------	----------------------------

EF3.1 Climate Change

CO2e kg	0.043 kg CO2e
---------	---------------

Phoenix Contact 2026 © - all rights reserved
<https://www.phoenixcontact.com>

Phoenix Contact USA
586 Fulling Mill Road
Middletown, PA 17057, United States
(+717) 944-1300
info@phoenixcon.com